



# INTERPUMP

FLUID SOLUTIONS 

Powered by I.M.M. Hydraulics

**One-Piece fittings**

# **One-Piece fittings**

Raccordi

**Braided hose No-Skive**

**Spiral hose No-Skive**

We have also available the following catalogues

Abbiamo disponibili anche i seguenti cataloghi

**Carbon Steel fittings**

Raccordi

**Hydraulic Hoses and Accessories**

Tubo flessibile e accessori

**Stainless Steel fittings**

Raccordi Inox



BRAIDED HOSE  
NO-SKIVE

in



**0370G**



NPTF Male 60° Cone

8

**037GG**



NPTF Male Parallel  
60° Cone Rotating

9

**N051G**



NPSM Female 60°  
Cone Rolled Nut

9



**0850G**



JIC Male 74° Cone

10

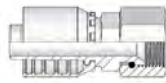
**0911G**



JIC Female 74° Cone  
Rolled Nut

11

**0910G**



JIC Female 74° Cone  
Thrust Wire Nut

12

**1001G**



JIC 90° Swept Elbow  
74° Cone Rolled Nut

12

**1000G**



JIC 45° Swept Elbow  
74° Cone Slipe on nut

13

**0951G**



JIC 90° Swept Elbow  
74° Cone Rolled Nut

13

**0950G**



JIC 90° Swept Elbow  
74° Cone Thrust Wire  
Nut

14

**2971G**



JIC 90° Compact  
Elbow 74° Cone  
Crimped Nut

14



**S350G**



ORFS Male

15

**S05TG**



ORFS Female Back  
Hexagon

15

**S250G**



ORFS 45° Swept  
Elbow

16

**S150G**



ORFS 90° Swept  
Elbow

17



**0385G**



SAE Male O'R Flat  
Seat

18

**0390G**



Swivel Male O'Ring

18

**0395G**



90° Swivel Male O'ring

19



**IF00G**



Straight Male Inverted  
Flare Swivel

19

**IF45G**



45° Male Inverted  
Flare Swivel

20

**IF90G**



90° Male Inverted Flare Swivel

20



**0930G**



JIS Female 60° Cone (Toyota)

21

**0980G**



90° JIS Swept Elbow (Toyota) - welded

21



**0940G**



JIS Female 60° Cone (Komatsu)

22

**1040G**



45° JIS Swept Elbow (Komatsu) Welded

22

**0990G**



90° JIS Swept Elbow (Komatsu) Welded

23



**K05BG**



Kobelco Male

23



**0360G**



BSP Taper Male 60° Cone

24

**0350G**



BSP Male Parallel 60° Cone

25

**0051G**



BSP Female 60° Cone Rolled Nut

26

**0050G**



BSP Female 60° Cone Thrust wire Nut

26

**0251G**



BSP 45° Swept Elbow 60° Cone Rolled nut

27

**0250G**



BSP 45° Swept Elbow 60° Cone Thrust Wire Nut

27

**0151G**



BSP 90° Swept elbow 60° Cone Rolled Nut

28

**0150G**



BSP 90° Swept Elbow 60° Cone Thrust Wire

28

**0041G**



BSP O'Ring Female 60° Cone Rolled Nut

29

**0241G**



BSP O'Ring 45° Swept Elbow 60° Cone Rolled nut

29

**0141G**



BSP O'Ring 90° Swept elbow 60° Cone Rolled Nut

30

**2321G**



BSP 90° Compact Elbow 60° Cone Rolled nut

30


















**0060G**



BSP Female Flat Seal

31

	<b>1400G</b>  BSP Banjo <b>32</b>	<b>1600-00</b>  BSP perfored bolt <b>33</b>	<b>1600</b>  Double BSP perfored bolt <b>33</b>	
<b>FK50G</b>  K' Female <b>34</b>		<b>0550G</b>  Metric Standpipe <b>35</b>	<b>0750G</b>  45° Metric Standpipe <b>36</b>	<b>0750G</b>  45° Metric Standpipe (Welded) <b>37</b>
<b>0650G</b>  90° Metric Standpipe <b>38</b>	<b>0650G</b>  90° Metric Standpipe (welded) <b>39</b>		<b>1350G</b>  Metric Banjo <b>40</b>	<b>1650</b>  Metric perfored bolt <b>41</b>
	<b>0500G</b>  Metric Male 24° Seat Light <b>42</b>	<b>0085G</b>  Metric Female 24° Seat Light <b>43</b>	<b>0085G</b>  Metric Female 24° Seat Light (rolled nut) <b>43</b>	<b>0285G</b>  45° Metric Swept Elbow 24° Seat Light <b>44</b>
<b>0285G</b>  45° Metric Swept Elbow 24° Seat Light (rolled nut) <b>44</b>	<b>0185G</b>  90° Metric Swept Elbow 24° Seat Light <b>45</b>	<b>0185G</b>  90° Metric Swept Elbow 24° Seat Light (rolled nut) <b>45</b>		<b>0450G</b>  Metric Male 24° Seat Heavy <b>46</b>

**0084G**



Metric Female 24°  
Seat Heavy

47

**0284G**



45° Metric Swept  
Elbow 24° Seat Heavy

48

**0184G**



90° Metric Swept  
Elbow 24° Seat Heavy

49



**1260G**



Straight SAE Flange  
3000 PSI

50

**1160G**



45° SAE Flange 3000  
PSI

50

**1060G**



90° SAE Flange 3000  
PSI

51

**1060G**



22.5°/30°/60°/67.5°  
SAE Flange 3000 PSI

52



**D050G**

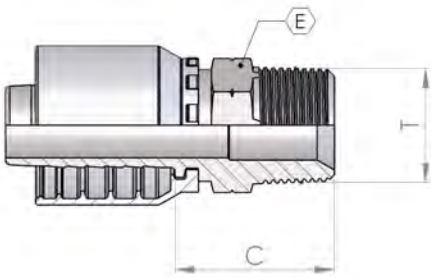


Hose Junction

53

# 0370G

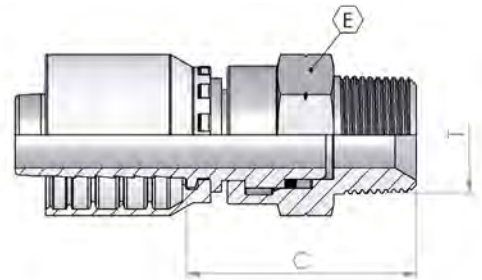
## NPTF Male 60° Cone



Part number	Hose I.D.		Dimension			
	in	mm	dash size	thread	hex	cut-off
				T	E	C
0370G03-02	3/16	4.8	3	1/8-27	12	22
0370G03-04	3/16	4.8	3	1/4-18	15	27
0370G04-02	1/4	6.4	4	1/8-27	12	22
0370G04-04	1/4	6.4	4	1/4-18	15	28
0370G04-06	1/4	6.4	4	3/8-18	19	28
0370G05-04	5/16	7.9	5	1/4-18	15	28
0370G05-06	5/16	7.9	5	3/8-18	19	28
0370G05-08	5/16	7.9	5	1/2-14	22	34
0370G06-04	3/8	9.5	6	1/4-18	17	28
0370G06-06	3/8	9.5	6	3/8-18	19	28
0370G06-08	3/8	9.5	6	1/2-14	22	34
0370G08-06	1/2	12.7	8	3/8-18	19	29
0370G08-08	1/2	12.7	8	1/2-14	22	35
0370G08-12	1/2	12.7	8	3/4-14	27	36
0370G10-08	5/8	15.9	10	1/2-14	24	35
0370G10-12	5/8	15.9	10	3/4-14	27	36
0370G12-08	3/4	19.0	12	1/2-14	24	36
0370G12-12	3/4	19.0	12	3/4-14	27	37
0370G12-16	3/4	19.0	12	1-11.1/2	36	43
0370G16-16	1	25.4	16	1-11.1/2	36	44
0370G16-20	1	25.4	16	1.1/4-11.1/2	46	46
0370G20-16	1.1/4	31.8	20	1-11.1/2	41	45
0370G20-20	1.1/4	31.8	20	1.1/4-11.1/2	46	47
0370G24-24	1.1/2	38.1	24	1.1/2-11.1/2	50	49
0370G32-32	2	50.8	32	2-11.1/2	65	55

## 037GG

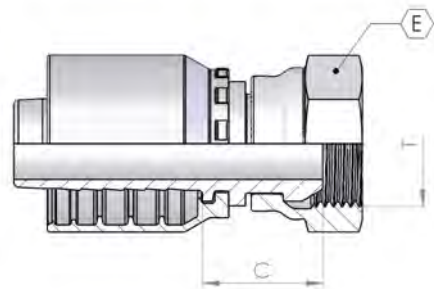
### NPTF Male Parallel 60° Cone - Rotating



Part number	Hose I.D.		Dimension			
	in	mm	dash size	thread	hex	cut-off
				T	E	C
037GG04-04	1/4	6.4	4	1/4-18	19	39
037GG06-06	3/8	9.5	6	3/8-18	22	43
037GG08-08	1/2	12.7	8	1/2-14	27	49
037GG12-12	3/4	19.0	12	3/4-14	32	52

## N051G

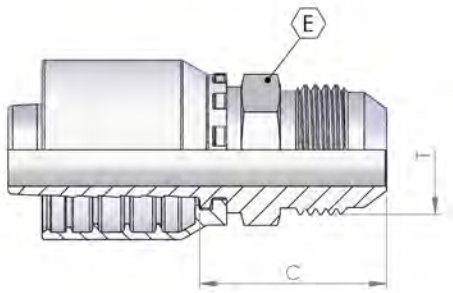
### NPSM Female 60° Cone Rolled Nut



Part number	Hose I.D.		Dimension			
	in	mm	dash size	thread	hex	cut-off
				T	E	C
N051G03-04	3/16	4.8	3	1/4-18	19	17
N051G04-04	1/4	6.4	4	1/4-18	19	17
N051G06-06	3/8	9.5	6	3/8-18	22	19
N051G08-08	1/2	12.7	8	1/2-14	27	23

# 0850G

## JIC Male 74° Cone

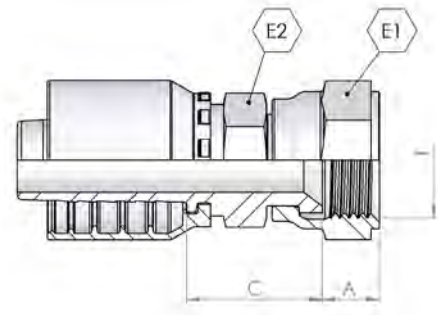


\* SAE 45°

Part number	Hose I.D.		Dimension			
	in	mm	dash size	thread	hex	cut-off
				T	E	C
0850G03-04	3/16	4.8	3	7/16-20	12	26
0850G04-04	1/4	6.4	4	7/16-20	12	27
0850G04-05	1/4	6.4	4	1/2-20	14	27
0850G04-06	1/4	6.4	4	9/16-18	15	27
0850G05-05	5/16	7.9	5	1/2-20	14	27
0850G05-06	5/16	7.9	5	9/16-18	15	27
0850G05-08	5/16	7.9	5	3/4-16	19	30
0850G06-06	3/8	9.5	6	9/16-18	15	27
0850G06-07	3/8	9.5	6	5/8-18	17	30
0850G06-08	3/8	9.5	6	3/4-16	19	30
0850G06-10	3/8	9.5	6	7/8-14	24	34
0850G08-06	1/2	12.7	8	9/16-18	19	28
0850G08-08	1/2	12.7	8	3/4-16	19	31
0850G08-10	1/2	12.7	8	7/8-14	24	35
0850G08-12	1/2	12.7	8	1.1/16-12	27	37
0850G10-10	5/8	15.9	10	7/8-14	24	35
0850G10-12	5/8	15.9	10	1.1/16-12	27	37
0850G12-10	3/4	19.0	12	7/8-14	24	36
0850G12-12	3/4	19.0	12	1.1/16-12	27	38
0850G12-14	3/4	19.0	12	1.3/16-12	32	41
0850G12-16	3/4	19.0	12	1.5/16-12	34	42
0850G12-20	3/4	19.0	12	1.5/8-12	42	45
0850G16-12	1	25.4	16	1.1/16-12	27	39
0850G16-14	1	25.4	16	1.3/16-12	32	42
0850G16-16	1	25.4	16	1.5/16-12	34	43
0850G16-20	1	25.4	16	1.5/8-12	42	46
0850G20-20	1.1/4	31.8	20	1.5/8-12	42	47
0850G20-24	1.1/4	31.8	20	1.7/8-12	50	52
0850G24-24	1.1/2	38.1	24	1.7/8-12	50	52
0850G32-32	2	50.8	32	2.1/2-12	65	62

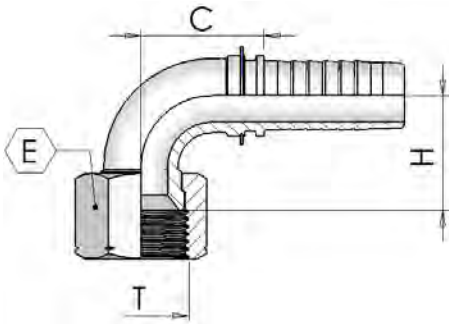
# 0911G

## JIC Female 74° Cone - Rolled Nut



Part number	Hose I.D.		Dimension				
	in	mm	dash size	thread	hex	cut-off	
				T	E	C	A
0911G03-04	3/16	4.8	3	7/16-20	15	14	8.5
0911G03-05	3/16	4.8	3	1/2-20	17	14	9.5
0911G04-04	1/4	6.4	4	7/16-20	15	14	8.5
0911G04-05	1/4	6.4	4	1/2-20	17	15	9.5
0911G04-06	1/4	6.4	4	9/16-18	19	16	9
*SAE 45° 0911G04-07	1/4	6.4	4	5/8-18	22	17	11
0911G05-05	5/16	7.9	5	1/2-20	17	17	9.5
0911G05-06	5/16	7.9	5	9/16-18	19	16	9
*SAE 45° 0911G05-07	5/16	7.9	5	5/8-18	22	17	11
0911G05-08	5/16	7.9	5	3/4-16	24	17	10.5
0911G06-04	3/8	9.5	6	7/16-20	15	15	9
0911G06-05	3/8	9.5	6	1/2-20	17	15	9.5
0911G06-06	3/8	9.5	6	9/16-18	19	16	9
*SAE 45° 0911G06-07	3/8	9.5	6	5/8-18	22	16	11
0911G06-08	3/8	9.5	6	3/4-16	24	17	10.5
0911G06-10	3/8	9.5	6	7/8-14	27	21	13
0911G08-08	1/2	12.7	8	3/4-16	24	18	10.5
0911G08-10	1/2	12.7	8	7/8-14	27	19	13
0911G08-12	1/2	12.7	8	1.1/16-12	32	24	13.5
0911G10-10	5/8	15.9	10	7/8-14	27	19	13
0911G10-12	5/8	15.9	10	1.1/16-12	32	21	13.5
0911G12-10	3/4	19.0	12	7/8-14	27	20	13
0911G12-12	3/4	19.0	12	1.1/16-12	32	22	13.5
0911G12-14	3/4	19.0	12	1.3/16-12	36	23	14
0911G12-16	3/4	19.0	12	1.5/16-12	38	23	15.5
0911G16-12	1	25.4	16	1.1/16-12	32	23	13.5
0911G16-16	1	25.4	16	1.5/16-12	38	24	15.5

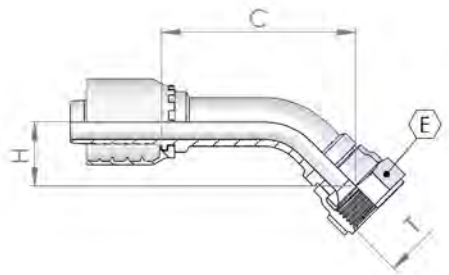
## 0910G



### JIC Female 74° Cone - Thrust Wire Nut

Part number	Hose I.D.		Dimension					
	in	mm	dash size	thread	hex		cut-off	
				T	E1	E2	C	A
0910G20-20	1.1/4	31.8	20	1.5/8"-12	50	46	39	16
0910G24-24	1.1/2	38.1	24	1.7/8"-12	55	50	41	18
0910G32-32	2	50.8	32	2.1/2"-12	70	65	61	19

## 1001G

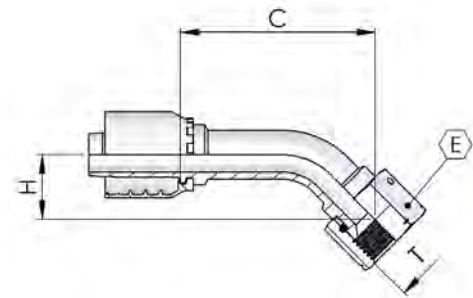


### JIC 90° Swept Elbow 74° Cone - Rolled Nut

Part number	Hose I.D.		Dimension					
	in	mm	dash size	thread	hex	cut-off	Drop	
				T	E	C	H	
1001G03-04	3/16	4.8	3	7/16-20	15	33	15	
1001G04-04	1/4	6.4	4	7/16-20	15	38	13	
1001G04-05	1/4	6.4	4	1/2-20	17	40	14	
1001G04-06	1/4	6.4	4	9/16-18	19	47	18	
1001G05-05	5/16	7.9	5	1/2-20	17	16	17	
1001G05-06	5/16	7.9	5	9/16-18	19	47	18	
1001G06-05	3/8	9.5	6	1/2-20	17	51	17	
1001G06-06	3/8	9.5	6	9/16-18	19	51	17	
*SAE 45°	1001G06-07	3/8	9.5	6	5/8-18	22	51	17
	1001G06-08	3/8	9.5	6	3/4-16	24	52	19
	1001G06-10	3/8	9.5	6	7/8-14	27	54	21
	1001G08-08	1/2	12.7	8	3/4-16	24	62	22
	1001G08-10	1/2	12.7	8	7/8-14	27	64	23
	1001G08-12	1/2	12.7	8	1.1/16-12	32	68	25
	1001G10-10	5/8	15.9	10	7/8-14	27	68	24
	1001G10-12	5/8	15.9	10	1.1/16-12	32	70	25
WELDED	1001G12-10	3/4	19	12	7/8-14	27	83	27
	1001G12-12	3/4	19	12	1.1/16-12	32	84	28
	1001G12-16	3/4	19	12	1.5/16-12	38	88	30
	1001G16-16	1	25.4	16	1.5/16-12	38	104	33

## 1000G

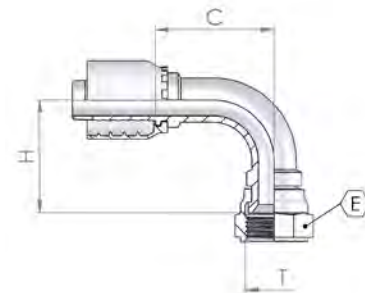
### JIC 45° Swept Elbow 74° Cone - Slip on nut



Part number	Hose I.D.		Dimension				
	in	mm	dash size	thread	hex	cut-off	Drop
				T	E	C	H
1000G20-20	1.1/4	31.8	20	1.5/8"-12	50	102	40
1000G24-24	1.1/2	38.1	24	1.7/8"-12	55	119	49
1000G32-32	2	50.8	32	2.1/2"-12	70	142	65

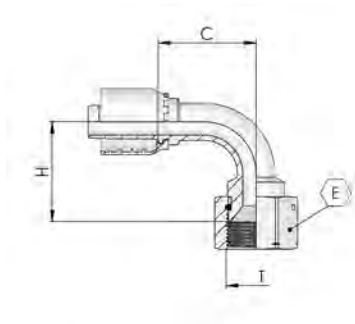
## 0951G

### JIC 90° Swept Elbow 74° Cone - Rolled Nut



Part number	Hose I.D.		Dimension				
	in	mm	dash size	thread	hex	cut-off	Drop
				T	E	C	H
0951G03-04	3/16	4.8	3	7/16-20	15	22	22
0951G03-05	3/16	4.8	3	1/2-20	17	22	22
0951G04-04	1/4	6.4	4	7/16-20	15	25	24
0951G04-05	1/4	6.4	4	1/2-20	17	25	25
0951G04-06	1/4	6.4	4	9/16-18	19	25	27
0951G05-05	5/16	7.9	5	1/2-20	17	29	30
0951G05-06	5/16	7.9	5	9/16-18	19	29	31
0951G06-05	3/8	9.5	6	1/2-20	17	33	30
0951G06-06	3/8	9.5	6	9/16-18	19	31	32
*SAE 45° 0951G06-07	3/8	9.5	6	5/8-18	22	33	32
0951G06-08	3/8	9.5	6	3/4-16	24	33	34
0951G06-10	3/8	9.5	6	7/8-14	27	33	36
0951G08-08	1/2	12.7	8	3/4-16	24	41	41
0951G08-10	1/2	12.7	8	7/8-14	27	41	40
0951G08-12	1/2	12.7	8	1.1/16-12	32	39	43
0951G10-10	5/8	15.9	10	7/8-14	27	43	44
WELDED 0951G12-10	3/4	19	12	7/8-14	27	56	53
0951G12-12	3/4	19	12	1.1/16-12	32	56	54
0951G12-14	3/4	19	12	1.3/16-12	36	57	53
0951G12-16	3/4	19	12	1.5/16-12	38	55	56
0951G16-12	1	25.4	16	1.1/16-12	32	70	63
0951G16-16	1	25.4	16	1.5/16-12	38	70	65

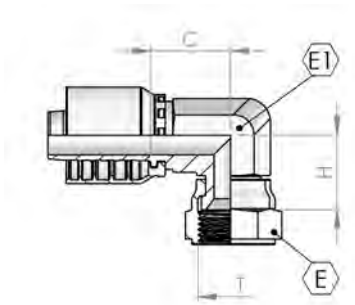
## 0950G



### JIC 90° Swept Elbow 74° Cone - Thrust Wire Nut

Part number	Hose I.D.		Dimension				
	in	mm	dash size	thread	hex	cut-off	Drop
				T	E	C	H
0950G20-20	1.1/4	31.8	20	1.5/8"-12	50	87	83
0950G24-24	1.1/2	38.1	24	1.7/8"-12	55	102	97
0950G32-32	2	50.8	32	2.1/2"-12	70	125	134

## 2971G



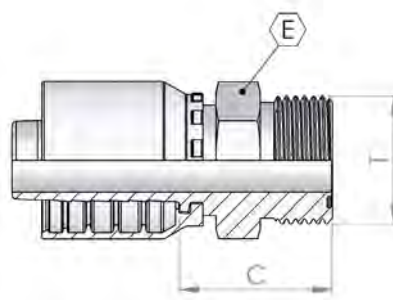
### JIC 90° Compact Elbow 74° Cone - Crimped Nut

Part number	Hose I.D.		Dimension					
	in	mm	dash size	thread	hex		cut-off	Drop
				T	E	E1	C	H
2971G04-04	1/4	6.4	4	7/16-20	15	15	19	17
2971G04-05	1/4	6.4	4	1/2-20	17	15	19	18
2971G04-06	1/4	6.4	4	9/16-18	19	15	19	19
2971G05-06	5/16	7.9	5	9/16-18	19	17	20	20
2971G06-06	3/8	9.5	6	9/16-18	19	17	23	20
2971G06-08	3/8	9.5	6	3/4-16	24	22	24	22
2971G08-08	1/2	12.7	8	3/4-16	24	22	26	23
2971G08-10	1/2	12.7	8	7/8-14	27	22	26	24
2971G12-12	3/4	19	12	1.1/16-12	32	27	32	29
2971G16-16	1	25.4	16	1.5/16-12	38	32	38	34

## S350G

### ORFS Male

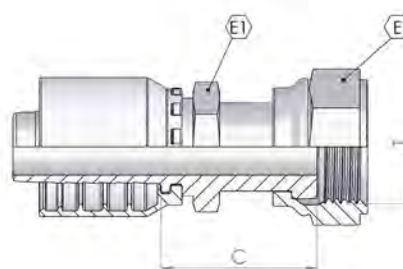
- with plug and O-Ring



Part number	Hose I.D.		Dimension			
	in	mm	dash size	thread	hex	cut-off
				T	E	C
S350G04-06	1/4	6.4	4	9/16-18	17	23
S350G04-09	1/4	6.4	4	11/16-16	19	21
S350G05-09	5/16	7.9	5	11/16-16	19	26
S350G06-09	3/8	9.5	6	11/16-16	19	26
S350G06-11	3/8	9.5	6	13/16-16	22	29
S350G08-11	1/2	12.7	8	13/16-16	22	29
S350G08-13	1/2	12.7	8	1-14	27	34
S350G08-14	1/2	12.7	8	1.3/16-12	32	35
S350G10-13	5/8	15.9	10	1-14	27	33
S350G10-14	5/8	15.9	10	1.3/16-12	32	35
S350G12-14	3/4	19.0	12	1.3/16-12	32	36
S350G12-15	3/4	19.0	12	1.7/16-12	38	36
S350G16-15	1	25.4	16	1.7/16-12	38	37
S350G16-21	1	25.4	16	1.11/16-12	46	38
S350G20-21	1.1/4	31.8	20	1.11/16-12	46	39

## S05TG

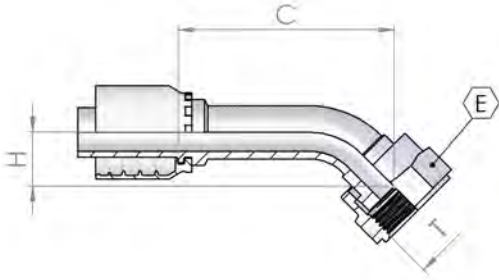
### ORFS Female Back Hexagon



Part number	Hose I.D.		Dimension				
	in	mm	dash size	thread	hex		cut-off
				T	E	E1	C
S05TG04-06	1/4	6.4	4	9/16-18	17	15	30
S05TG06-09	3/8	9.5	6	11/16-16	22	17	34
S05TG08-11	1/2	12.7	8	13/16-16	24	19	37
S05TG10-13	5/8	15.9	10	1-14	30	24	41
S05TG12-14	3/4	19.0	12	1.3/16-12	36	30	42
S05TG16-15	1	25.4	16	1.7/16-12	41	36	50
S05TG-20-21	1.1/4	31.8	20	1.11/16-12	50	46	60
S05TG-24-32	1.1/2	38.1	24	2-12	60	50	68

# S250G

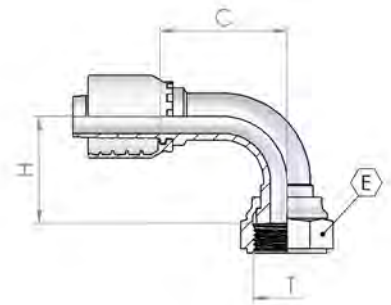
## ORFS 45° Swept Elbow



Part number	Hose I.D.		Dimension				
	in	mm	dash size	thread	hex	cut-off	Drop
				T	E	C	H
S250G04-06	1/4	6.4	4	9/16-18	19	40	14
S250G04-09	1/4	6.4	4	11/16-16	22	38	14
S250G05-09	5/16	7.9	5	11/16-16	22	44	14
S250G06-09	3/8	9.5	6	11/16-16	22	52	17
S250G06-11	3/8	9.5	6	13/16-16	24	51	18
S250G08-11	1/2	12.7	8	13/16-16	24	62	20
S250G08-13	1/2	12.7	8	1-14	30	64	23
S250G08-14	1/2	12.7	8	1.3/16-12	36	62	23
S250G10-13	5/8	15.9	10	1-14	30	67	22
WELDED S250G10-14	5/8	15.9	10	1.3/16-12	36	44	18
WELDED S250G12-13	3/4	19.0	12	1-14	30	40	15
S250G12-14	3/4	19.0	12	1.3/16-12	36	84	23
S250G12-15	3/4	19.0	12	1.7/16-12	41	84	26
S250G16-15	1	25.4	16	1.7/16-12	41	100	31
WELDED S250G20-21	1.1/4	31.8	20	1.11/16-12	50	125	44
WELDED S250G24-32	1.1/2	38.1	24	2-12	60	78	29

# S150G

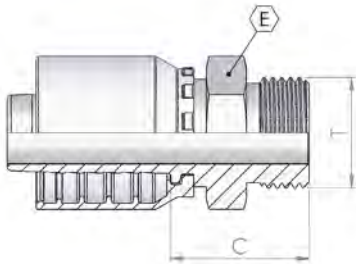
## ORFS 90° Swept Elbow



Part number	Hose I.D.		Dimension				
	in	mm	dash size	thread	hex	cut-off	Drop
				T	E	C	H
S150G04-06	1/4	6.4	4	9/16-18	19	25	26
S150G04-09	1/4	6.4	4	11/16-16	22	25	23
S150G05-09	5/16	7.9	5	11/16-16	22	29	32
S150G06-09	3/8	9.5	6	11/16-16	22	33	33
S150G06-11	3/8	9.5	6	13/16-16	24	33	32
S150G08-11	1/2	12.7	8	13/16-16	24	39	36
S150G08-13	1/2	12.7	8	1-14	30	39	40
S150G08-14	1/2	12.7	8	1.3/16-12	36	42	39
S150G10-13	5/8	15.9	10	1-14	30	47	39
WELDED S150G10-14	5/8	15.9	10	1.3/16-12	36	42	39
WELDED S150G12-13	3/4	19.0	12	1-14	30	42	39
S150G12-14	3/4	19.0	12	1.3/16-12	36	57	49
S150G12-15	3/4	19.0	12	1.7/16-12	41	56	51
S150G16-15	1	25.4	16	1.7/16-12	41	67	62
WELDED S150G16-21	1	25.4	20	1.11/16-12	50	62	58
WELDED S150G20-21	1.1/4	31.8	20	1.11/16-12	50	63	58
WELDED S150G24-32	1.1/2	38.1	24	2-12	60	80	73

## 0385G

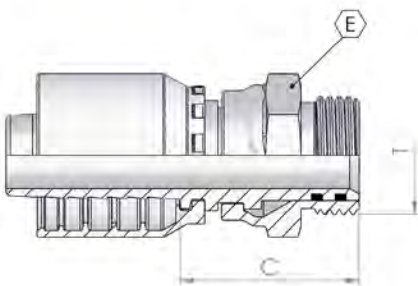
### SAE Male O'R - Flat Seat



Part number	Hose I.D.		Dimension			
	in	mm	dash size	thread	hex	cut-off
				T	E	C
0385G04-04	1/4	6.4	4	7/16-20	14	24
0385G04-06	1/4	6.4	4	9/16-18	17	24
0385G05-06	5/16	7.9	5	9/16-18	17	24
0385G06-06	3/8	9.5	6	9/16-18	17	25
0385G06-08	3/8	9.5	6	3/4-16	22	28
0385G08-08	1/2	12.7	8	3/4-16	22	28
0385G08-10	1/2	12.7	8	7/8-14	27	30
0385G08-12	1/2	12.7	8	1.1/16-12	32	32
0385G10-10	5/8	15.9	10	7/8-14	27	30
0385G10-12	5/8	15.9	10	1.1/16-12	32	32
0385G12-12	3/4	19.0	12	1.1/16-12	32	33

## 0390G

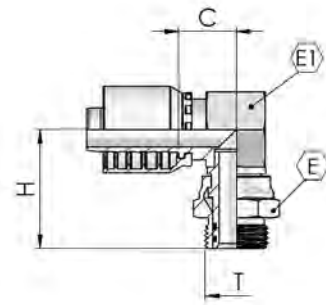
### Swivel Male O'Ring



Part number	Hose I.D.		Dimension			
	in	mm	dash size	thread	hex	cut-off
				T	E	C
0390G08-10	1/2	12.7	8	7/8-14	27	39
0390G10-10	5/8	15.9	10	7/8-14	27	39
0390G12-12	3/4	19.0	12	1.1/16-12	32	43

## 0395G

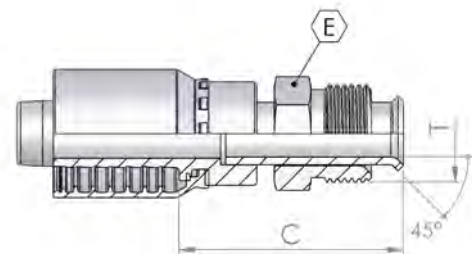
### 90° Swivel Male O'ring



Part number	Hose I.D.		Dimension					
	in	mm	dash size	thread	hex		cut-off	Drop
				T	E	E1	C	H
0395G08-10	1/2	12.7	8	7/8-14	27	27	21	48
0395G10-10	5/8	15.9	10	7/8-14	27	27	21	48
0395G12-12	3/4	19.0	12	1.1/16-12	32	32	25	52

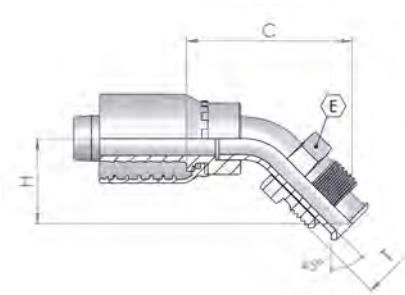
## IF00G

### Straight Male Inverted Flare Swivel



Part number	Hose I.D.		Dimension			
	in	mm	dash size	thread	hex	cut-off
				T	E	C
IF00G04-04	1/4	6.4	4	7/16-24	12	38
IF00G04-05	1/4	6.4	4	1/2-20	14	55
IF00G05-04	5/8	7.9	5	7/16-24	12	56
IF00G05-05	5/8	7.9	5	1/2-20	14	56
IF00G05-07	5/8	7.9	5	5/8-18	17	56
IF00G06-04	3/8	9.5	6	7/16-24	12	56
IF00G06-05	3/8	9.5	6	1/2-20	14	56
IF00G06-07	3/8	9.5	6	5/8-18	17	57
IF00G06-09	3/8	9.5	6	11/16-18	19	42
IF00G08-08	1/2	12.7	8	3/4-18	19	60

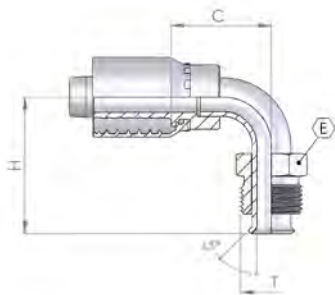
## IF45G



### 45° Male Inverted Flare Swivel

Part number	Hose I.D.		Dimension				
	in	mm	dash size	thread	hex	cut-off	Drop
				T	E	C	H
IF45G06-04	3/8	9.5	6	7/16-24	12	48	25
IF45G06-05	3/8	9.5	6	1/2-20	14	48	25
IF45G06-07	3/8	9.5	6	5/8-18	17	54	30
IF45G06-09	3/8	9.5	6	11/16-18	19	54	30
IF45G08-08	1/2	12.7	8	3/4-18			

## IF90G

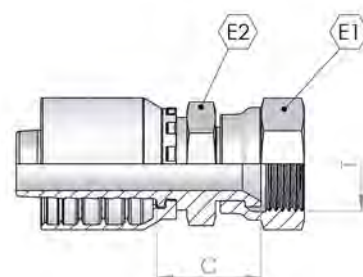


### 90° Male Inverted Flare Swivel

Part number	Hose I.D.		Dimension				
	in	mm	dash size	thread	hex	cut-off	Drop
				T	E	C	H
IF90G04-04	1/4	6.4	4	7/16-24	12	29	36
IF90G04-05	1/4	6.4	4	1/2-20	14	30	34
IF90G05-04	5/8	7.9	5	7/16-24	12	24	38
IF90G05-05	5/8	7.9	5	1/2-20	14	30	35
IF90G05-07	5/8	7.9	5	5/8-18	17	30	43
IF90G06-04	3/8	9.5	6	7/16-24	12	30	35
IF90G06-05	3/8	9.5	6	1/2-20	14	30	35
IF90G06-07	3/8	9.5	6	5/8-18	17	31	44
IF90G06-09	3/8	9.5	6	11/16-18	19	31	42
IF90G08-08	1/2	12.7	8	3/4-18	19	35	45

## 0930G

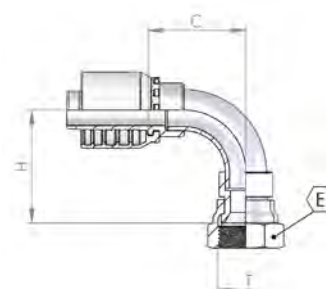
### JIS Female 60° Cone (Toyota)



Part number	Hose I.D.		Dimension				
	in	mm	dash size	thread	hex		cut-off
				T	E	E1	C
0930G04-04	1/4	6.4	4	1/4-19	19	17	20
0930G06-06	3/8	9.5	6	3/8-19	22	19	22
0930G08-08	1/2	12.7	8	1/2-14	27	22	26
0930G12-12	3/4	19.0	12	3/4-14	32	30	29
0930G16-16	1	25.4	16	1-11	38	36	31
0930G20-20	1,1/4	31.8	20	1,1/4-11	50	46	35
0930G24-24	1,1/2	38.1	24	1,1/2-11	55	50	28

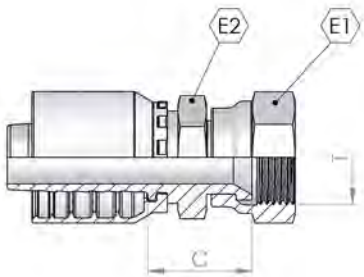
## 0980G

### 90° JIS Swept Elbow (Toyota) - welded



Part number	Hose I.D.		Dimension				
	in	mm	dash size	thread	hex	cut-off	Drop
				T	E	C	H
0980G04-04	1/4	6.4	4	1/4-19	19	38	35
0980G06-06	3/8	9.5	6	3/8-19	22	27	30
0980G08-08	1/2	12.7	8	1/2-14	27	33	39
0980G12-12	3/4	19.0	12	3/4-14	32	48	55
0980G16-16	1	25.4	16	1-11	38	57	62
0980G20-20	1,1/4	31.8	20	1,1/4-11	50	63	65
0980G24-24	1,1/2	38.1	24	1,1/2-11	55	80	83

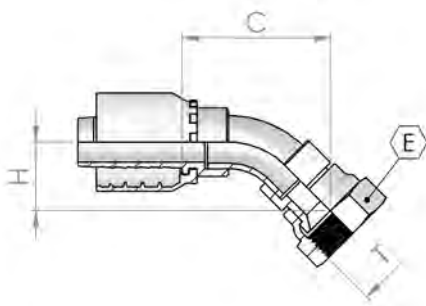
## 0940G



### JIS Female 60° Cone (Komatsu)

Part number	Hose I.D.		Dimension				
	in	mm	dash size	thread	hex		cut-off
				T	E	E1	C
0940G04-14	1/4	6.4	4	M14x1,5	19	17	22
0940G05-16	5/16	7.9	5	M16x1,5	22	17	22
0940G06-14	3/8	9.5	6	M14x1,5	19	17	22
0940G06-18	3/8	9.5	6	M18x1,5	24	19	21
0940G08-22	1/2	12.7	8	M22x1,5	27	22	27
0940G10-24	5/8	15.9	10	M24x1,5	30	27	26
0940G12-30	3/4	19.0	12	M30x1,5	36	30	30
0940G16-33	1	25.4	16	M33x1,5	41	36	33
0940G20-36	1.1/4	31.8	20	M36x1,5	46	46	37
0940G24-42	1.1/2	38.1	24	M42x1,5	50	50	38

## 1040G

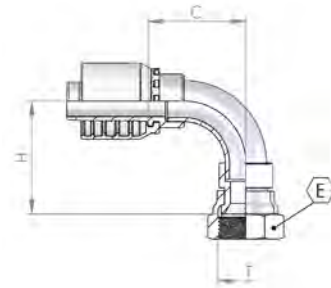


### 45° JIS Swept Elbow (Komatsu) - Welded

Part number	Hose I.D.		Dimension				
	in	mm	dash size	thread	hex	cut-off	Drop
				T	E	C	H
1040G-04-14	1/4	6.4	4	M14-1.5	19	44	18
1040G05-16	5/16	7.9	5	M16-1.5	22	38	18
1040G06-14	3/8	9.5	6	M14-1.5	19	41	18
1040G06-18	3/8	9.5	6	M18-1.5	24	43	18
1040G08-22	1/2	12.7	8	M22-1.5	27	40	20
1040G10-24	5/8	15.9	10	M24-1.5	30	50	26
1040G12-30	3/4	19.0	12	M30-1.5	36	56	26
1040G16-33	1	25.4	16	M33-1.5	41	65	33

## 0990G

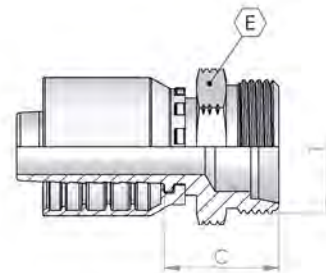
### 90° JIS Swept Elbow (Komatsu) - Welded



Part number	Hose I.D.		Dimension				
	in	mm	dash size	thread	hex	cut-off	Drop
				T	E	C	H
0990G04-14	1/4	6.4	4	M14x1,5	19	38	35
0990G05-16	5/16	7.9	5	M16x1,5	22	27	30
0990G06-14	3/8	9.5	6	M14x1,5	19	31	33
0990G06-18	3/8	9.5	6	M18x1,5	24	31	33
0990G08-22	1/2	12.7	8	M22x1,5	27	33	39
0990G10-24	5/8	15.9	10	M24x1,5	30	42	48
0990G12-30	3/4	19.0	12	M30x1,5	36	48	43
0990G16-33	1	25.4	16	M33x1,5	41	57	62

## KO5BG

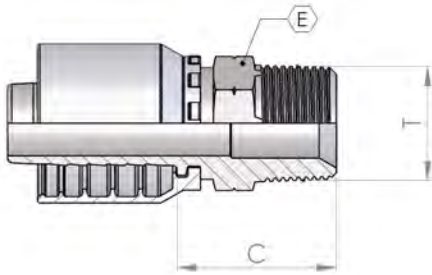
### Kobelko Male



Part number	Hose I.D.		Dimension			
	in	mm	dash size	thread	hex	cut-off
				T	E	C
KO5BG10-30	5/8	15.9	10	M30-1.5	32	32
KO5BG12-30	3/4	19.0	12	M30-1.5	32	35
KO5BG12-36	3/4	19.0	12	M36-1.5	41	36
KO5BG16-36	1	25.4	16	M36-1.5	41	37
KO5BG16-45	1	25.4	16	M45-1,5	50	38

# 0360G

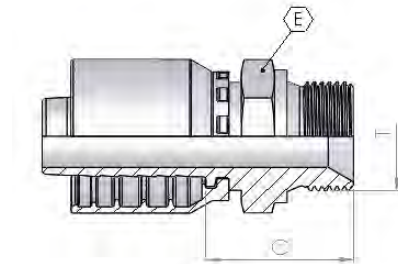
## BSP Taper Male 60° Cone



Part number	Hose I.D.		Dimension			
	in	mm	dash size	thread	hex	cut-off
				T	E	C
0360G03-02	3/16	4.8	3	1/8-28	12	21
0360G03-04	3/16	4.8	3	1/4-19	15	27
0360G04-02	1/4	6.4	4	1/8-28	12	22
0360G04-04	1/4	6.4	4	1/4-19	15	28
0360G04-06	1/4	6.4	4	3/8-19	19	28
0360G05-04	5/16	7.9	5	1/4-19	15	28
0360G05-06	5/16	7.9	5	3/8-19	19	28
0360G06-04	3/8	9.5	6	1/4-19	17	28
0360G06-06	3/8	9.5	6	3/8-19	19	28
0360G06-08	3/8	9.5	6	1/2-14	22	33
0360G08-06	1/2	12.7	8	3/8-19	19	29
0360G08-08	1/2	12.7	8	1/2-14	22	34
0360G08-12	1/2	12.7	8	3/4-14	27	36
0360G10-08	5/8	15.9	10	1/2-14	22	34
0360G10-10	5/8	15.9	10	5/8-14	24	35
0360G10-12	5/8	15.9	10	3/4-14	27	36
0360G12-12	3/4	19.0	12	3/4-14	27	37
0360G12-16	3/4	19.0	12	1-11	36	43
0360G16-16	1	25.4	16	1-11	36	44
0360G16-20	1	25.4	16	1.1/4-11	46	46
0360G20-20	1.1/4	31.8	20	1.1/4-11	46	47
0360G20-24	1.1/4	31.8	20	1.1/2-11	50	49
0360G24-24	1.1/2	38.1	24	1.1/2-11	50	49
0360G24-32	1.1/2	38.1	24	2-11	65	55
0360G32-32	2	50.8	32	2-11	65	55

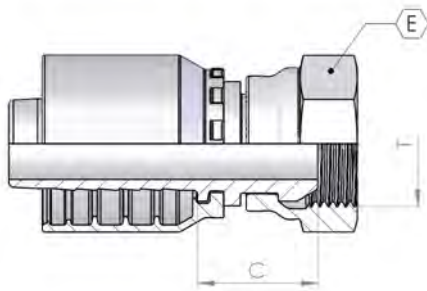
# 0350G

## BSP Male Parallel 60° Cone



Part number	Hose I.D.		Dimension			
	in	mm	dash size	thread	hex	cut-off
				T	E	C
0350G03-02	3/16	4.8	3	1/8-28	14	21
0350G03-04	3/16	4.8	3	1/4-19	19	26
0350G04-02	1/4	6.4	4	1/8-28	14	21
0350G04-04	1/4	6.4	4	1/4-19	19	27
0350G04-06	1/4	6.4	4	3/8-19	22	28
0350G04-08	1/4	6.4	4	1/2-14	27	35
0350G05-04	5/16	7.9	5	1/4-19	19	27
0350G05-06	5/16	7.9	5	3/8-19	22	28
0350G05-08	5/16	7.9	5	1/2-14	27	32
0350G06-04	3/8	9.5	6	1/4-19	19	27
0350G06-06	3/8	9.5	6	3/8-19	22	29
0350G06-08	3/8	9.5	6	1/2-14	27	32
0350G08-06	1/2	12.7	8	3/8-19	22	29
0350G08-08	1/2	12.7	8	1/2-14	27	33
0350G08-10	1/2	12.7	8	5/8-14	30	34
0350G08-12	1/2	12.7	8	3/4-14	32	35
0350G10-08	5/8	15.9	10	1/2-14	27	33
0350G10-10	5/8	15.9	10	5/8-14	30	35
0350G10-12	5/8	15.9	10	3/4-14	32	35
0350G12-12	3/4	19.0	12	3/4-14	32	36
0350G12-16	3/4	19.0	12	1-11	41	39
0350G16-16	1	25.4	16	1-11	41	40
0350G16-20	1	25.4	16	1.1/4-11	50	44
0350G20-16	1.1/4	31.8	20	1-11	41	41
0350G20-20	1.1/4	31.8	20	1.1/4-11	50	45
0350G20-24	1.1/4	31.8	20	1.1/2-11	55	46
0350G24-24	1.1/2	38.1	24	1.1/2-11	55	46
0350G24-32	1.1/2	38.1	24	2-11	70	54
0350G32-24	2	50.8	32	1.1/2-11	65	50
0350G32-32	2	50.8	32	2-11	70	54

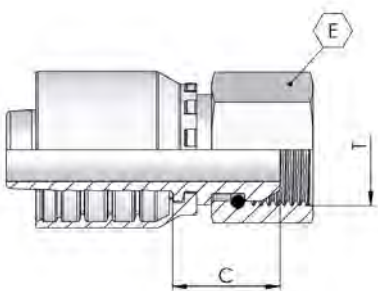
## 0051G



### BSP Female 60° Cone - Rolled Nut

Part number	Hose I.D.		Dimension			
	in	mm	dash size	thread	hex	cut-off
				T	E	C
0051G03-02	3/16	4.8	3	1/8-28	14	15
0051G03-04	3/16	4.8	3	1/4-19	19	17
0051G04-02	1/4	6.4	4	1/8-28	14	15
0051G04-04	1/4	6.4	4	1/4-19	19	17
0051G04-06	1/4	6.4	4	3/8-19	22	19
0051G04-08	1/4	6.4	4	1/2-14	27	22
0051G05-04	5/16	7.9	5	1/4-19	19	17
0051G05-06	5/16	7.9	5	3/8-19	22	19
0051G05-08	5/16	7.9	5	1/2-14	27	22
0051G06-04	3/8	9.5	6	1/4-19	19	17
0051G06-06	3/8	9.5	6	3/8-19	22	19
0051G06-08	3/8	9.5	6	1/2-14	27	22
0051G08-06	1/2	12.7	8	3/8-19	22	20
0051G08-08	1/2	12.7	8	1/2-14	27	23
0051G08-10	1/2	12.7	8	5/8-14	30	20
0051G08-12	1/2	12.7	8	3/4-14	32	27
0051G10-08	5/8	15.9	10	1/2-14	27	23
0051G10-10	5/8	15.9	10	5/8-14	30	20
0051G10-12	5/8	15.9	10	3/4-14	32	25
0051G12-08	3/4	19	12	1/2-14	27	24
0051G12-12	3/4	19	12	3/4-14	32	25
0051G12-16	3/4	19	12	1-11	38	26
0051G16-12	1	25.4	16	3/4-14	32	27
0051G16-16	1	25.4	16	1-11	38	27

## 0050G

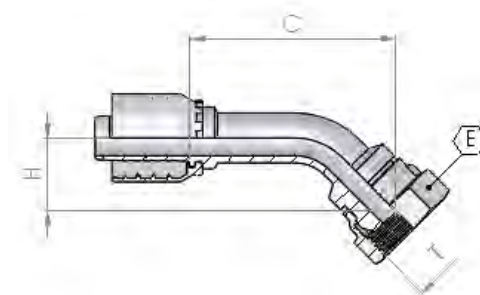


### BSP Female 60° Cone - Thrust Wire Nut

Part number	Hose I.D.		Dimension			
	in	mm	dash size	thread	hex	cut-off
				T	E	C
0050G20-20	1.1/4	31.8	20	1.1/4-11	50	32
0050G24-24	1.1/2	38.1	24	1.1/2-11	55	34
0050G32-32	2	50.8	32	2-11	70	30

## 0251G

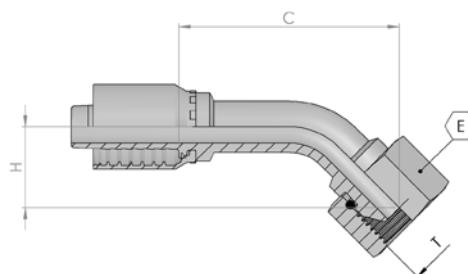
### BSP 45° Swept Elbow 60° Cone - Rolled nut



Part number	Hose I.D.		Dimension				
	in	mm	dash size	thread	hex	cut-off	Drop
				T	E	C	H
0251G03-02	3/16	4.8	3	1/8-28	14	33	15
0251G03-04	3/16	4.8	3	1/4-19	19	35	15
0251G04-02	1/4	6.4	4	1/8-28	14	40	14
0251G04-04	1/4	6.4	4	1/4-19	19	41	15
0251G05-04	5/16	7.9	5	1/4-19	19	47	16
0251G05-06	5/16	7.9	5	3/8-19	22	51	19
0251G06-04	3/8	9.5	6	1/4-19	19	50	16
0251G06-06	3/8	9.5	6	3/8-19	22	52	19
0251G06-08	3/8	9.5	6	1/2-14	27	55	21
0251G08-06	1/2	12.7	8	3/8-19	22	63	22
0251G08-08	1/2	12.7	8	1/2-12	27	65	24
0251G08-10	1/2	12.7	8	5/8-14	30	64	21
0251G08-12	1/2	12.7	8	3/4-14	32	67	26
0251G10-08	5/8	15.9	10	1/2-14	27	68	24
0251G10-10	5/8	15.9	10	5/8-14	30	68	23
0251G10-12	5/8	15.9	10	3/4-14	32	72	27
0251G12-12	3/4	19	12	3/4-14	32	86	30
0251G12-16	3/4	19	12	1-11	38	88	32
0251G16-16	1	25.4	16	1-11	38	107	35

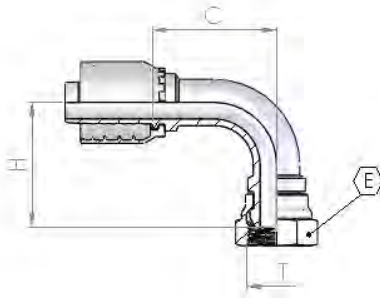
## 0250G

### BSP 45° Swept Elbow 60° Cone - Thrust Wire Nut



Part number	Hose I.D.		Dimension				
	in	mm	dash size	thread	hex	cut-off	Drop
				T	E	C	H
0250G20-20	1.1/4	31.8	20	1.1/4-11	50	107	40
0250G24-24	1.1/2	38.1	24	1.1/2-11	55	117	47
0250G32-32	2	50.8	32	2-11	70	142	65

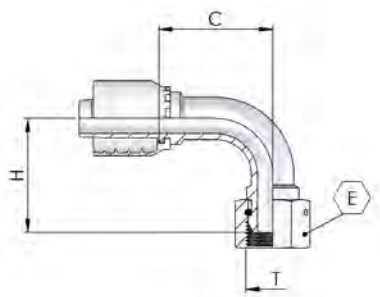
## 0151G



### BSP 90° Swept elbow 60° Cone - Rolled Nut

Part number	Hose I.D.		Dimension				
	in	mm	dash size	thread T	hex E	cut-off C	Drop H
0151G03-02	3/16	4.8	3	1/8-28	14	22	23
0151G03-04	3/16	4.8	3	1/4-19	19	22	25
0151G04-02	1/4	6.4	4	1/8-28	14	25	25
0151G04-04	1/4	6.4	4	1/4-19	19	25	27
0151G04-06	1/4	6.4	4	3/8-19	22	25	31
0151G05-04	5/16	7.9	5	1/4-19	19	31	31
0151G05-06	5/16	7.9	5	3/8-19	22	29	36
0151G06-04	3/8	9.5	6	1/4-19	19	31	33
0151G06-06	3/8	9.5	6	3/8-19	22	33	35
0151G06-08	3/8	9.5	6	1/2-14	27	31	40
0151G08-06	1/2	12.7	8	3/8-19	22	39	42
0151G08-08	1/2	12.7	8	1/2-14	27	39	41
0151G08-10	1/2	12.7	8	5/8-14	30	40	41
0151G08-12	1/2	12.7	8	3/4-14	32	41	46
0151G10-10	5/8	15.9	10	5/8-14	30	43	43
0151G10-12	5/8	15.9	10	3/4-14	32	45	50
0151G12-12	3/4	19	12	3/4-14	32	56	57
0151G12-16	3/4	19	12	1-11	38	56	60
0151G16-16	1	25.4	16	1-11	38	70	67

## 0150G

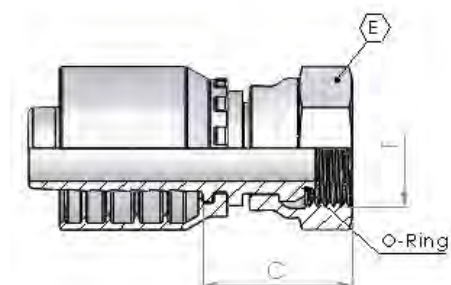


### BSP 90° Swept Elbow 60° Cone - Thrust Wire Nut

Part number	Hose I.D.		Dimension				
	in	mm	dash size	thread T	hex E	cut-off C	Drop H
0150G20-20	1.1/4	31.8	20	1.1/4-11	50	86	81
0150G24-24	1.1/2	38.1	24	1.1/2-11	55	103	95
0150G32-32	2	50.8	32	2-11	70	122	135

## 0041G

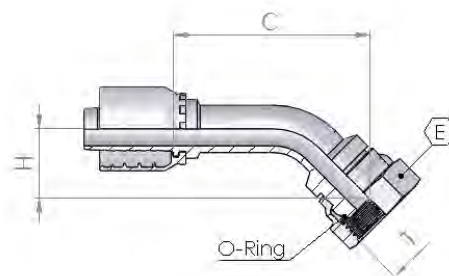
### BSP O'Ring Female 60° Cone-Rolled Nut



Part number	Hose I.D.		Dimension			
	in	mm	dash size	thread	hex	cut-off
				T	E	C
0041G04-04	1/4	6.4	4	1/4-19	19	17
0041G06-06	3/8	9.5	6	3/8-19	22	19
0041G08-08	1/2	12.7	8	1/2-14	27	21
0041G10-10	5/8	15.9	10	5/8-14	30	21
0041G12-12	3/4	19	12	3/4-14	32	26
0041G16-16	1	25.4	16	1-11	38	28

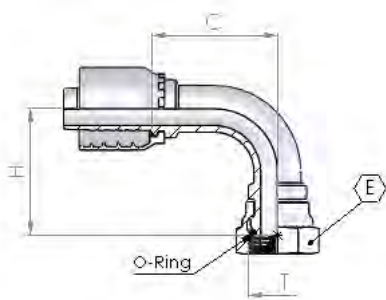
## 0241G

### BSP O'Ring 45° Swept Elbow 60° Cone - Rolled nut



Part number	Hose I.D.		Dimension				
	in	mm	dash size	thread	hex	cut-off	Drop
				T	E	C	H
0241G04-04	1/4	6.4	4	1/4-19	19	41	15
0241G06-06	3/8	9.5	6	3/8-19	22	52	21
0241G08-08	1/2	12.7	8	1/2-14	27	63	22
0241G10-10	5/8	15.9	10	5/8-14	30	68	23
0241G12-12	3/4	19	12	3/4-14	32	88	28
0241G16-16	1	25.4	16	1-11	38	83	32

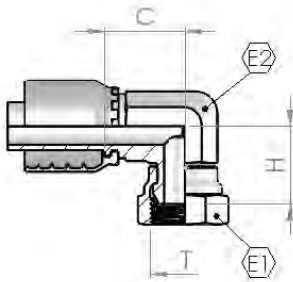
## 0141G



### BSP O'Ring 90° Swept elbow 60° Cone- Rolled Nut

Part number	Hose I.D.		Dimension				
	in	mm	dash size	thread	hex	cut-off	Drop
				T	E	C	H
0141G04-04	1/4	6.4	4	1/4-19	19	25	27
0141G06-06	3/8	9.5	6	3/8-19	22	33	34
0141G08-08	1/2	12.7	8	1/2-14	27	41	40
0141G10-10	5/8	15.9	10	5/8-14	30	43	55
0141G12-12	3/4	19	12	3/4-14	32	56	54
0141G16-16	1	25.4	16	1-11	38	70	67

## 2321G

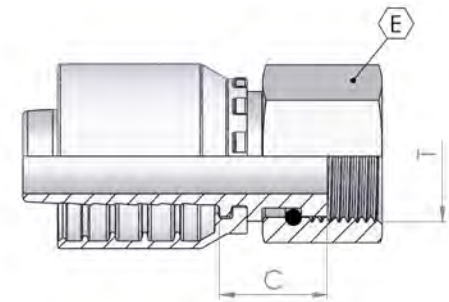


### BSP 90° Compact Elbow 60° Cone - Rolled nut

Part number	Hose I.D.		Dimension					
	in	mm	dash size	thread	hex		cut-off	Drop
				T	E	E1	C	H
2321G04-04	1/4	6.4	4	1/4-19	19	15	19	20
2321G04-06	1/4	6.4	4	3/8-19	22	17	24	29
2321G05-06	5/16	7.9	5	3/8-19	22	17	24	23
2321G06-06	3/8	9.5	6	3/8-19	22	17	23	23
2321G06-08	3/8	9.5	6	1/2-14	27	19	28	26
2321G08-08	1/2	12.7	8	1/2-14	27	22	26	27
2321G12-12	3/4	19	12	3/4-14	32	27	32	32
2321G16-16	1	25.4	16	1-11	38	32	38	36

# 0060G

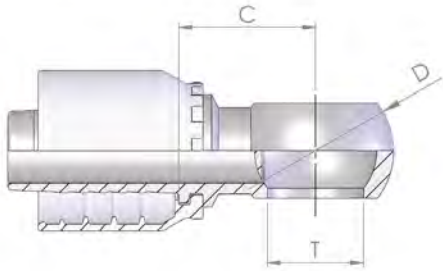
## BSP Female Flat Seal



Part number	Hose I.D.		Dimension			
	in	mm	dash size	thread	hex	cut-off
				T	E	C
0060G04-04	1/4	6.4	4	1/4-19	19	14
0060G04-06	1/4	6.4	4	3/8-19	22	15
0060G05-04	5/16	7.9	5	1/4-19	19	14
0060G05-06	5/16	7.9	5	3/8-19	22	15
0060G05-08	5/16	7.9	5	1/2-14	27	17
0060G06-06	3/8	9.5	6	3/8-19	22	15
0060G06-08	3/8	9.5	6	1/2-14	27	16
0060G08-08	1/2	12.7	8	1/2-14	27	16
0060G08-10	1/2	12.7	8	5/8-14	30	16
0060G08-12	1/2	12.7	8	3/4-14	32	23
0060G10-10	5/8	15.9	10	5/8-14	30	16
0060G10-12	5/8	15.9	10	3/4-14	32	20
0060G12-12	3/4	19.0	12	3/4-14	32	21
0060G12-16	3/4	19.0	12	1-11	38	23
0060G16-16	1	25.4	16	1-11	38	22
0060G24-24	1.1/2	38.1	24	1.1/2-11	55	27

# 1400G

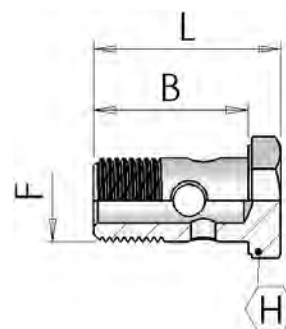
## BSP Banjo



Part number	Hose I.D.		Dimension				
	in	mm	dash size	hole T	Flange mm	D Øball	cut-off C
1400G03-02	3/16	4.8	3	1/8-28	10.2	17	19
1400G03-04	3/16	4.8	3	1/4-19	13.3	24	26
1400G04-02	1/4	6.4	4	1/8-28	10.2	17	25
1400G04-04	1/4	6.4	4	1/4-19	13.3	24	26
1400G04-06	1/4	6.4	4	3/8-19	17	28	26
1400G05-04	5/16	7.9	5	1/4-19	13.3	24	26
1400G05-06	5/16	7.9	5	3/8-19	17	28	26
1400G06-04	3/8	9.5	6	1/4-19	13.3	24	26
1400G06-06	3/8	9.5	6	3/8-19	17	28	26
1400G06-08	3/8	9.5	6	1/2-14	21.2	36	31
1400G08-06	1/2	12.7	8	3/8-19	17	28	27
1400G08-08	1/2	12.7	8	1/2-14	21.2	36	31
1400G08-10	1/2	12.7	8	5/8-14	23.1	38	29
1400G08-12	1/2	12.7	8	3/4-14	26.5	45	38
1400G10-10	5/8	15.9	10	5/8-14	23.1	39	29
1400G10-12	5/8	15.9	10	3/4-14	26.5	45	38
1400G12-12	3/4	19.0	12	3/4-14	26.5	45	38
1400G12-16	3/4	19.0	12	1-11	33.5	58	49
1400G16-16	1	25.4	16	1-11	33.5	58	50

## 1600-00

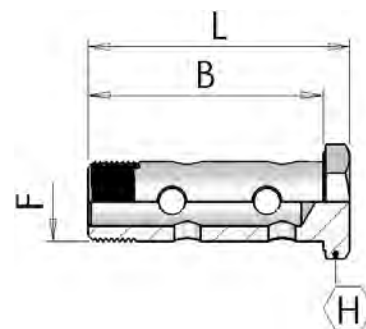
### BSP perfored bolt



Part number	Dimension			
	F	B	L	Drop H
1600-00-02	1/8-28	19	24	14
1600-00-04	1/4-19	29	34	19
1600-00-06	3/8-19	33	41	22
1600-00-08	1/2-14	38	46	27
1600-00-10	5/8-14	44	54	30
1600-00-12	3/4-14	47	56	32
1600-00-16	1-11	58	69	41

## 1600

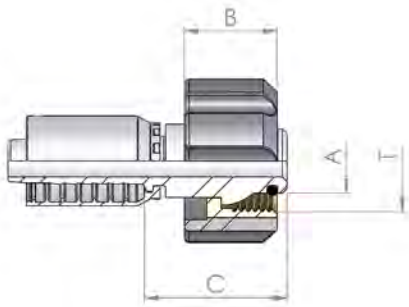
### Double BSP perfored bolt



Part number	Dimension			
	F	B	L	Drop H
1600-04-04	1/4-19	43	49	19
1600-06-06	3/8-19	49	57	22
1600-08-08	1/2-14	62	70	27
1600-12-12	3/4-14	78	87	32
1600-16-16	1-11	98	109	41

# FK50G

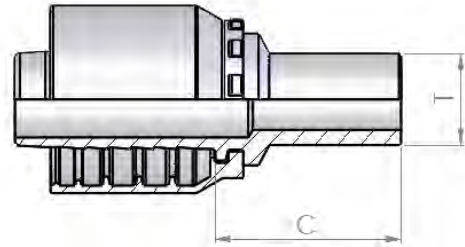
**K' Female**



Part number	Hose I.D.		Dimension				
	in	mm	dash size	thread	cut-off		
				T	C	A	B
FK50G04-22	1/4	6.4	4	M22-1.5	31	14	20
FK50G05-22	5/16	7.9	5	M22-1.5	31	14	20
FK50G06-22	3/8	9.5	6	M22-1.5	31	14	20
FK50G04022	1/4	6.4	4	M22-1.5	31	14	27
FK50G05022	5/16	7.9	5	M22-1.5	31	14	27
FK50G06022	3/8	9.5	6	M22-1.5	31	14	27

# 0550G

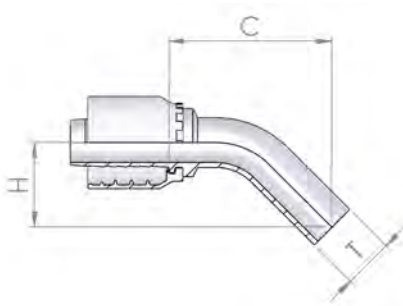
## Metric Standpipe



Part number	Hose I.D.		Dimension			
	in	mm	dash size	pipe	Type	cut-off
0550G03-06	3/16	4.8	3	6	L/S	30
0550G03-08	3/16	4.8	3	8	L/S	29
0550G04-06	1/4	6.4	4	6	L/S	32
0550G04-08	1/4	6.4	4	8	L/S	30
0550G04-10	1/4	6.4	4	10	L/S	33
0550G04-12	1/4	6.4	4	12	L/S	30
0550G05-08	5/16	7.9	5	08	L/S	31
0550G05-10	5/16	7.9	5	10	L/S	31
0550G05-12	5/16	7.9	5	12	L/S	33
0550G06-08	3/8	9.5	6	08	L/S	33
0550G06-10	3/8	9.5	6	10	L/S	33
0550G06-12	3/8	9.5	6	12	L/S	32
0550G06-14	3/8	9.5	6	14	S	37
0550G06-15	3/8	9.5	6	15	L	32
0550G08-12	1/2	12.7	8	12	L/S	36
0550G08-14	1/2	12.7	8	14	S	39
0550G08-15	1/2	12.7	8	15	L	34
0550G08-16	1/2	12.7	8	16	S	39
0550G08-18	1/2	12.7	8	18	L	35
0550G08-20	1/2	12.7	8	20	S	45
0550G10-18	5/8	15.9	10	18	L	35
0550G10-20	5/8	15.9	10	20	S	45
0550G10-22	5/8	15.9	10	22	L	33
0550G12-18	3/4	19.0	12	18	L	37
0550G12-20	3/4	19.0	12	20	S	46
0550G12-22	3/4	19.0	12	22	L	38
0550G12-25	3/4	19.0	12	25	S	49
0550G12-28	3/4	19.0	12	28	L	40
0550G16-25	1	25.4	16	25	S	51
0550G16-28	1	25.4	16	28	L	41
0550G16-30	1	25.4	16	30	S	54
0550G16-38	1	25.4	16	38	S	60
0550G20-30	1.1/4	31.8	20	30	S	58
0550G20-35	1.1/4	31.8	20	35	L	48
0550G20-38	1.1/4	31.8	20	38	S	62
0550G24-38	1.1/2	38.1	24	38	S	63
0550G24-42	1.1/2	38.1	24	42	L	50

# 0750G

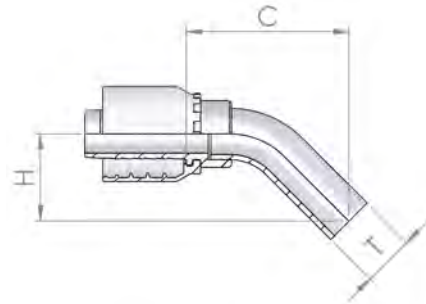
## 45° Metric Standpipe



Part number	Hose I.D.		Dimension				
	in	mm	dash size	pipe	cut-off	Drop	
				T	Type	C	H
0750G04-06	1/4	6.4	4	6	L/S	41	24
0750G04-08	1/4	6.4	4	8	L/S	43	25
0750G04-10	1/4	6.4	4	10	L/S	47	30
0750G05-10	5/16	7.9	5	10	L/S	49	30
0750G05-12	5/16	7.9	5	12	L/S	53	32
0750G06-12	3/8	9.5	6	12	L/S	52	33

# 0750G

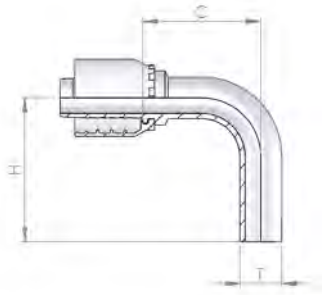
## 45° Metric Standpipe (Welded)



Part number	Hose I.D.		Dimension				
	in	mm	dash size	pipe	Type	cut-off	Drop
0750G04-12	1/4	6.4	4	12	L/S	54	29
0750G06-14	3/8	9.5	6	14	S	50	27
0750G06-15	3/8	9.5	6	15	L	54	29
0750G08-14	1/2	12.7	8	14	S	50	27
0750G08-15	1/2	12.7	8	15	L	55	29
0750G08-16	1/2	12.7	8	16	S	54	27
0750G08-18	1/2	12.7	8	18	L	56	29
0750G10-18	5/8	15.9	10	18	L	56	29
0750G10-20	5/8	15.9	10	20	S	56	34
0750G10-22	5/8	15.9	10	22	L	66	35
0750G12-20	3/4	19.0	12	20	S	63	34
0750G12-22	3/4	19.0	12	22	L	65	35
0750G12-25	3/4	19.0	12	25	S	76	41
0750G16-25	1	25.4	16	25	S	76	41
0750G16-28	1	25.4	16	28	L	84	49
0750G16-30	1	25.4	16	30	S	86	44
0750G20-30	1.1/4	31.8	20	30	S	88	44
0750G20-35	1.1/4	31.8	20	35	L	94	47
0750G20-38	1.1/4	31.8	20	38	S	101	50
0750G24-38	1.1/2	38.1	24	38	S	100	50
0750G24-42	1.1/2	38.1	24	42	L	114	55

# 0650G

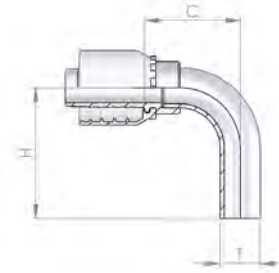
## 90° Metric Standpipe



Part number	Hose I.D.		Dimension				
	in	mm	dash size	pipe	Type	cut-off	Drop
				T		C	H
0650G03-06	3/16	4.8	3	6	L/S	20	32
0650G04-06	1/4	6.4	4	6	L/S	23	32
0650G04-08	1/4	6.4	4	8	L/S	25	34
0650G04-10	1/4	6.4	4	10	L/S	25	43
0650G05-10	5/16	7.9	5	10	L/S	29	40
0650G05-12	5/16	7.9	5	12	L/S	29	45
0650G06-10	3/8	9.5	6	10	L/S	27	40
0650G06-12	3/8	9.5	6	12	L/S	30	44

# 0650G

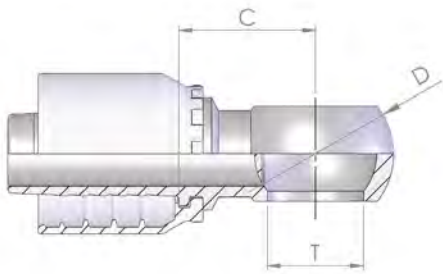
## 90° Metric Standpipe (welded)



Part number	Hose I.D.		Dimension				
	in	mm	dash size	pipe	Type	cut-off	Drop
0650G06-15	3/8	9.5	6	15	L	39	52
0650G03-08	3/16	4.8	3	8	L/S	25	41
0650G04-12	1/4	6.4	4	12	L/S	35	44
0650G05-08	5/16	7.9	5	8	L/S	27	41
0650G06-14	3/8	9.5	6	14	S	36	46
0650G08-12	1/2	12.7	8	12	L/S	33	44
0650G08-14	1/2	12.7	8	14	S	36	46
0650G08-15	1/2	12.7	8	15	L	39	52
0650G08-16	1/2	12.7	8	16	S	42	56
0650G08-18	1/2	12.7	8	18	L	42	56
0650G10-18	5/8	15.9	10	18	L	42	56
0650G10-20	5/8	15.9	10	20	S	48	65
0650G10-22	5/8	15.9	10	22	L	51	71
0650G12-20	3/4	19.0	12	20	S	48	65
0650G12-22	3/4	19.0	12	22	L	51	71
0650G12-25	3/4	19.0	12	25	S	57	75
0650G16-25	1	25.4	16	25	S	57	75
0650G16-28	1	25.4	16	28	L	60	89
0650G16-30	1	25.4	16	30	S	65	89
0650G20-30	1.1/4	31.8	20	30	S	66	89
0650G20-35	1.1/4	31.8	20	35	L	76	98
0650G20-38	1.1/4	31.8	20	38	S	83	102
0650G24-38	1.1/2	38.1	24	38	S	82	102
0650G24-42	1.1/2	38.1	24	42	L	106	125

# 1350G

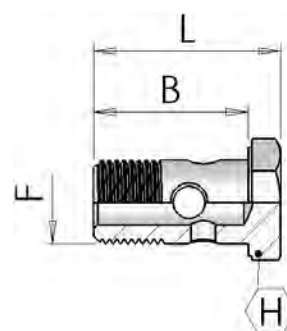
## Metric Banjo



Part number	Hose I.D.		Dimension				
	in	mm	dash size	hole T	Flange mm	D Øball	cut-off C
1350G03-10	3/16	4.8	3	M10-1	10.2	17	25
1350G03-12	3/16	4.8	3	M12-1.5	12.2	20	21
1350G04-10	1/4	6.4	4	M10-1	10.2	17	25
1350G04-12	1/4	6.4	4	M12-1.5	12.2	20	22
1350G04-14	1/4	6.4	4	M14-1.5	14.2	24	25
1350G05-14	5/16	7.9	5	M14-1.5	14.2	24	25
1350G05-16	5/16	7.9	5	M16-1.5	16.2	28	31
1350G05-18	5/16	7.9	5	M18-1.5	18.2	32	29
1350G06-14	3/8	9.5	6	M14-1.5	14.2	24	25
1350G06-16	3/8	9.5	6	M16-1.5	16.2	28	31
1350G06-18	3/8	9.5	6	M18-1.5	18.2	32	29
1350G06-22	3/8	9.5	6	M22-1.5	22.2	36	31
1350G08-16	1/2	12.7	8	M16-1.5	16.2	28	30
1350G08-18	1/2	12.7	8	M18-1.5	18.2	32	29
1350G08-22	1/2	12.7	8	M22-1.5	22.2	36	31
1350G10-22	5/8	15.9	10	M22-1.5	22.2	36	31
1350G10-26	5/8	15.9	10	M26-1.5	26.2	45	38
1350G12-22	3/4	19.0	12	M22-1.5	22.2	36	32

1650

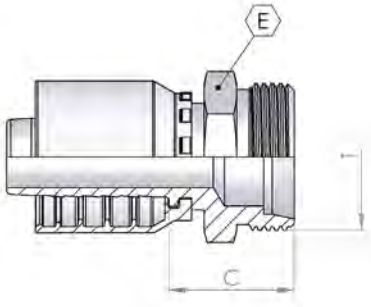
## Metric perforated bolt



Part number	Dimension			
	F	B	L	Drop H
1650-00-10	M10-1	19	24	14
1650-00-12	M12-1.5	26	31	17
1650-00-14	M14-1.5	29	34	19
1650-00-16	M16-1.5	33	41	22
1650-00-18	M18-1.5	37	44	24
1650-00-20	M20-1.5	38	46	27
1650-00-22	M22-1.5	38	46	27
1650-00-26	M26-1.5	47	56	32
1650-00-30	M30-1.5	58	68	36

# 0500G

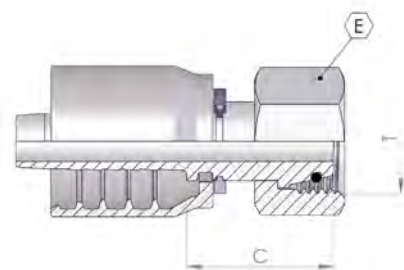
## Metric Male 24° - Seat Light



Part number	Hose I.D.		Dimension				
	in	mm	dash size	thread	erm	hex	cut-off
				T		E	C
0500G03-12	3/16	4.8	3	M12-1.5	6	14	22
0500G04-12	1/4	6.4	4	M12-1.5	6	14	23
0500G04-14	1/4	6.4	4	M14-1.5	8	14	22
0500G04-16	1/4	6.4	4	M16-1.5	10	17	23
0500G04-18	1/4	6.4	4	M18-1.5	12	19	24
0500G05-14	5/16	7.9	5	M14-1.5	8	14	22
0500G05-16	5/16	7.9	5	M16-1.5	10	17	23
0500G05-18	5/16	7.9	5	M18-1.5	12	19	24
0500G05-22	5/16	7.9	5	M22-1.5	15	22	25
0500G06-16	3/8	9.5	6	M16-1.5	10	17	23
0500G06-18	3/8	9.5	6	M18-1.5	12	19	24
0500G06-22	3/8	9.5	6	M22-1.5	15	22	25
0500G08-18	1/2	12.7	8	M18-1.5	12	19	25
0500G08-22	1/2	12.7	8	M22-1.5	15	22	26
0500G08-26	1/2	12.7	8	M26-1.5	18	27	27
0500G10-22	5/8	15.9	10	M22-1.5	15	22	26
0500G10-26	5/8	15.9	10	M26-1.5	18	27	27
0500G10-30	5/8	15.9	10	M30-2	22	30	32
0500G12-26	3/4	19.0	12	M26-1.5	18	27	28
0500G12-30	3/4	19.0	12	M30-2	22	30	33
0500G16-36	1	25.4	16	M36-2	28	36	32
0500G20-45	1.1/4	31.8	20	M45-2	35	46	36
0500G24-52	1.1/2	38.1	24	M52-2	42	55	38

## 0085G

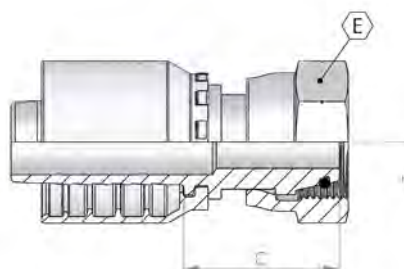
### Metric Female 24° - Seat Light



Part number	Hose I.D.		Dimension				
	in	mm	dash size	thread	erm	hex	cut-off
				T		E	C
0085G03-12	3/16	4.8	3	M12-1.5	6	14	23
0085G04-14	1/4	6.4	4	M14-1.5	8	17	24
0085G04-16	1/4	6.4	4	M16-1.5	10	19	24
0085G04-18	1/4	6.4	4	M18-1.5	12	22	25
0085G05-16	5/16	7.9	5	M16-1.5	10	19	24
0085G05-18	5/16	7.9	5	M18-1.5	12	22	25
0085G06-18	3/8	9.5	6	M18-1.5	12	22	25
0085G06-22	3/8	9.5	6	M22-1.5	15	27	29
0085G08-22	1/2	12.7	8	M22-1.5	15	27	29
0085G08-26	1/2	12.7	8	M26-1.5	18	32	29
0085G10-26	5/8	15.9	10	M26-1.5	18	32	29
0085G10-30	5/8	15.9	12	M30-2	22	36	29
0085G12-30	3/4	19.0	12	M30-2	22	36	29
0085G12-36	3/4	19.0	12	M36-2	28	41	28
0085G16-36	1	25.4	16	M36-2	28	41	30
0085G20-45	1.1/4	31.8	20	M45-2	35	50	40
0085G24-52	1.1/2	38.1	24	M52-2	42	60	41

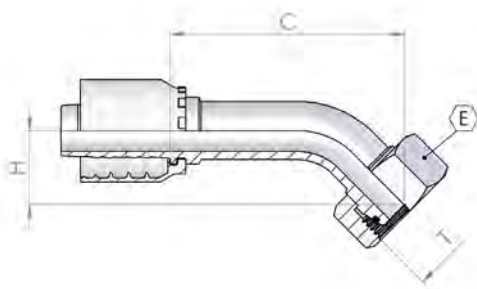
## 0085G

### Metric Female 24° - Seat Light (rolled nut)



Part number	Hose I.D.		Dimension				
	in	mm	dash size	thread	erm	hex	cut-off
				T		E	C
0085G-04-12	1/4	6.4	4	M12-1.5	6	14	25
0085G-05-14	5/16	7.9	5	M14-1.5	8	19	26
0085G-06-16	3/8	9.5	6	M16-1.5	10	19	25
0085G-08-18	1/2	12.7	8	M18-1.5	12	24	28
0085G-10-22	5/8	15.9	10	M22-1.5	15	27	32
0085G-12-26	3/4	19.0	12	M26-1.5	18	32	36

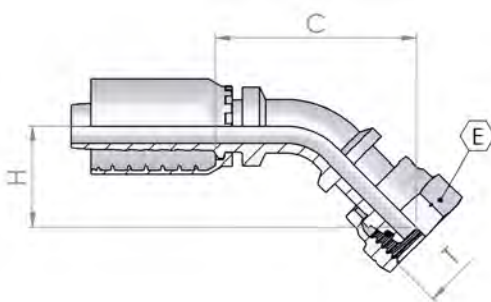
## 0285G



### 45° Metric Swept Elbow 24° - Seat Light

Part number	Hose I.D.		Dimension					
	in	mm	dash size	thread	erm	hex	cut-off	Drop
				T		E	C	H
0285G03-12	3/16	4.8	3	M12-1.5	6	14	36	14
0285G04-14	1/4	6.4	4	M14-1.5	8	17	42	14
0285G04-16	1/4	6.4	4	M16-1.5	10	19	42	15
0285G04-18	1/4	6.4	4	M18-1.5	12	22	43	16
0285G05-16	5/16	7.9	5	M16-1.5	10	19	48	17
0285G05-18	5/16	7.9	5	M18-1.5	12	22	48	18
0285G06-18	3/8	9.5	6	M18-1.5	12	22	52	19
0285G06-22	3/8	9.5	6	M22-1.5	15	27	51	19
0285G08-22	1/2	12.7	8	M22-1.5	15	27	63	21
0285G08-26	1/2	12.7	8	M26-1.5	18	32	44	17
0285G10-26	5/8	15.9	10	M26-1.5	18	32	68	23
0285G12-26	3/4	19.0	12	M26-1.5	18	32	43	19
0285G12-30	3/4	19.0	12	M30-2	22	36	85	27
0285G16-36	1	25.4	16	M36-2	28	41	102	32
0285G20-45	1.1/4	31.8	20	M45-2	35	50	72	34
0285G24-52	1.1/2	38.1	24	M52-2	42	60	85	36

## 0285G

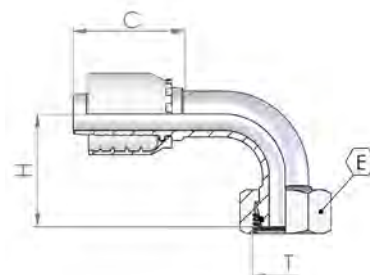


### 45° Metric Swept Elbow 24° - Seat Light (rolled nut)

Part number	Hose I.D.		Dimension					
	in	mm	dash size	thread	erm	hex	cut-off	Drop
				T		E	C	H
0285G04-12	1/4	6.4	4	M12-1.5	6	14	46	20
0285G06-16	3/8	9.5	6	M16-1.5	10	19	55	22

## 0185G

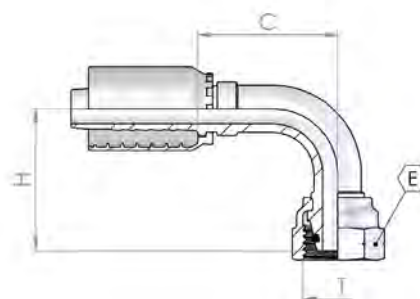
### 90° Metric Swept Elbow 24° - Seat Light



Part number	Hose I.D.		Dimension					
	in	mm	dash size	thread	erm	hex	cut-off	Drop
				T		E	C	H
0185G03-12	3/16	4.8	3	M12-1.5	6	14	22	23
0185G04-14	1/4	6.4	4	M14-1.5	8	17	26	26
0185G04-16	1/4	6.4	4	M16-1.5	10	19	25	27
0185G04-18	1/4	6.4	4	M18-1.5	12	22	27	30
0185G05-16	5/16	7.9	5	M16-1.5	10	19	31	31
0185G05-18	5/16	7.9	5	M18-1.5	12	22	31	32
0185G06-18	3/8	9.5	6	M18-1.5	12	22	32	35
0185G06-22	3/8	9.5	6	M22-1.5	15	27	32	35
0185G08-22	1/2	12.7	8	M22-1.5	15	27	41	38
0185G08-26	1/2	12.7	8	M26-1.5	18	32	41	39
0185G10-26	5/8	15.9	10	M26-1.5	18	32	44	44
0185G12-26	3/4	19.0	12	M26-1.5	18	32	42	44
0185G12-30	3/4	19.0	12	M30-2	22	36	58	52
0185G12-36	3/4	19.0	12	M36-2	28	41	49	51
0185G16-36	1	25.4	16	M36-2	28	41	72	62
0185G20-45	1.1/4	31.8	20	M45-2	35	50	63	73
0185G24-52	1.1/2	38.1	24	M52-2	42	60	81	83

## 0185G

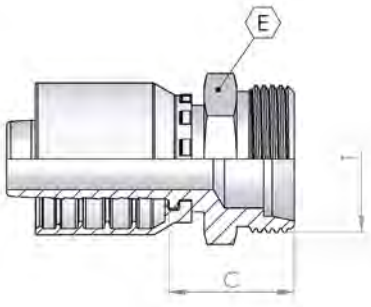
### 90° Metric Swept Elbow 24° - Seat Light (rolled nut)



Part number	Hose I.D.		Dimension					
	in	mm	dash size	thread	erm	hex	cut-off	Drop
				T		E	C	H
0185G04-12	1/4	6.4	4	M12-1.5	6	14	26	34
0185G05-14	5/16	7.9	5	M14-1.5	8	17	30	38
0185G06-16	3/8	9.5	6	M16-1.5	10	19	32	39
0185G08-18	1/2	12.7	8	M18-1.5	12	22	33	48
0185G10-22	5/8	15.9	8	M22-1.5	15	27	42	55

# 0450G

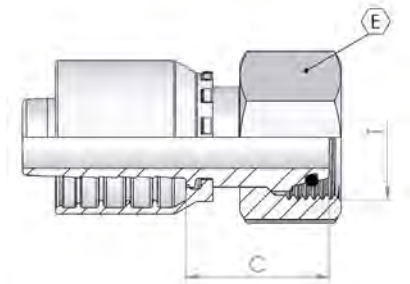
## Metric Male 24° - Seat Heavy



Part number	Hose I.D.		Dimension				
	in	mm	dash size	thread	erm	hex	cut-off
				T		E	C
0450G03-16	3/16	4.8	3	M16-1.5	8	17	26
0450G04-14	1/4	6.4	4	M14-1.5	6	14	25
0450G04-16	1/4	6.4	4	M16-1.5	8	17	27
0450G04-18	1/4	6.4	4	M18-1.5	10	19	27
0450G05-18	5/16	7.9	5	M18-1.5	10	19	27
0450G05-20	5/16	7.9	5	M20-1.5	12	22	29
0450G06-18	3/8	9.5	6	M18-1.5	10	19	27
0450G06-20	3/8	9.5	6	M20-1.5	12	22	29
0450G06-22	3/8	9.5	6	M22-1.5	14	22	31
0450G06-24	3/8	9.5	6	M24-1.5	16	24	31
0450G08-24	1/2	12.7	8	M24-1.5	16	24	32
0450G10-30	5/8	15.9	10	M30-2	20	30	34
0450G12-30	3/4	19.0	12	M30-2	20	30	35
0450G12-36	3/4	19.0	12	M36-2	25	36	38
0450G16-36	1	25.4	16	M36-2	25	36	39
0450G16-42	1	25.4	16	M42-2	30	46	42
0450G20-42	1.1/4	31.8	20	M42-2	30	46	43
0450G20-52	1.1/4	31.8	20	M52-2	38	55	45
0450G24-52	1.1/2	38.1	24	M52-2	38	55	45

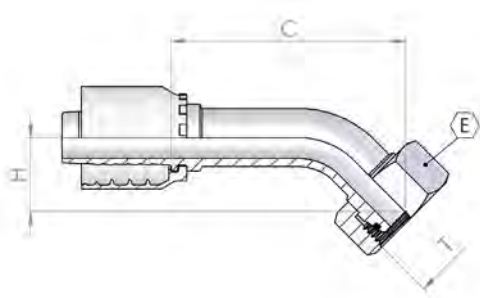
# 0084G

## Metric Female 24° - Seat Heavy



Part number	Hose I.D.		Dimension				
	in	mm	dash size	thread	erm	hex	cut-off
				T		E	C
0084G03-16	3/16	4.8	3	M16-1.5	8	19	25
0084G04-14	1/4	6.4	4	M14-1.5	6	17	23
0084G04-16	1/4	6.4	4	M16-1.5	8	19	25
0084G04-18	1/4	6.4	4	M18-1.5	10	22	24
0084G05-18	5/16	7.9	5	M18-1.5	10	22	24
0084G05-20	5/16	7.9	5	M20-1.5	12	24	26
0084G06-16	3/8	9.5	6	M16-1.5	8	19	26
0084G06-18	3/8	9.5	6	M18-1.5	10	22	25
0084G06-20	3/8	9.5	6	M20-1.5	12	24	25
0084G06-22	3/8	9.5	6	M22-1.5	14	27	29
0084G08-22	1/2	12.7	8	M22-1.5	14	27	17
0084G08-24	1/2	12.7	8	M24-1.5	16	30	30
0084G08-30	1/2	12.7	8	M30-2	20	36	33
0084G10-24	5/8	15.9	10	M24-1.5	16	30	31
0084G10-30	5/8	15.9	10	M30-2	20	36	33
0084G12-30	3/4	19.0	12	M30-2	20	36	34
0084G12-36	3/4	19.0	12	M36-2	25	46	40
0084G16-36	1	25.4	16	M36-2	25	46	41
0084G16-42	1	25.4	16	M42-2	30	50	43
0084G20-52	1.1/4	31.8	20	M52-2	38	60	44
0084G24-52	1.1/2	38.1	24	M52-2	38	60	44

# 0284G

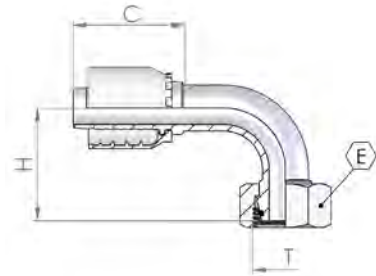


## 45° Metric Swept Elbow 24° - Seat Heavy

Part number	Hose I.D.		Dimension					
	in	mm	dash size	thread	erm	hex	cut-off	Drop
				T		E	C	H
0284G03-16	3/16	4.8	3	M16-1.5	8	19	36	16
0284G04-14	1/4	6.4	4	M14-1.5	6	17	37	15
0284G04-16	1/4	6.4	4	M16-1.5	8	19	42	15
0284G04-18	1/4	6.4	4	M18-1.5	10	22	45	18
0284G05-20	5/16	7.9	5	M20-1.5	12	24	49	19
0284G06-18	3/8	9.5	6	M18-1.5	10	22	51	19
0284G06-20	3/8	9.5	6	M20-1.5	12	24	53	18
0284G06-22	3/8	9.5	6	M22-1.5	14	27	54	20
0284G08-24	1/2	12.7	8	M24-1.5	16	30	63	21
0284G10-30	5/8	15.9	10	M30-2	20	36	74	29
0284G12-30	3/4	19.0	12	M30-2	20	36	87	30
0284G12-36	3/4	19.0	12	M36-2	25	46	56	31
0284G16-36	1	25.4	16	M36-2	25	46	105	34
0284G16-42	1	25.4	16	M42-2	30	50	82	33
0284G20-52	1.1/4	31.8	20	M52-2	38	60	105	39
0284G24-52	1.1/2	38.1	24	M52-2	38	60	157	52

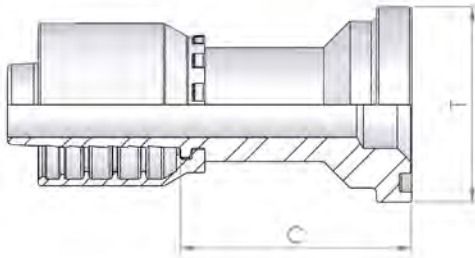
# 0184G

## 90° Metric Swept Elbow 24° - Seat Heavy



Part number	Hose I.D.		Dimension					
	in	mm	dash size	thread	erm	hex	cut-off	Drop
				T		E	C	H
0184G03-16	3/16	4.8	3	M16-1.5	8	19	22	25
0184G04-14	1/4	6.4	4	M14-1.5	6	17	27	26
0184G04-16	1/4	6.4	4	M16-1.5	8	19	26	26
0184G04-18	1/4	6.4	4	M18-1.5	10	22	27	31
0184G04-20	1/4	6.4	4	M20-1.5	12	24	27	30
0184G05-18	5/16	7.9	5	M18-1.5	10	22	33	33
0184G05-20	5/16	7.9	5	M20-1.5	12	24	30	34
0184G06-18	3/8	9.5	6	M18-1.5	10	22	34	35
0184G06-20	3/8	9.5	6	M20-1.5	12	24	34	34
0184G06-22	3/8	9.5	6	M22-1.5	14	27	33	33
0184G08-24	1/2	12.7	8	M24-1.5	16	30	40	41
0184G10-24	5/8	15.9	10	M24-1.5	16	30	42	60
0184G10-30	5/8	15.9	10	M30-2	20	36	46	50
0184G12-30	3/4	19.0	12	M30-2	20	36	58	56
0184G12-36	3/4	19.0	12	M36-2	25	46	56	59
0184G16-36	1	25.4	16	M36-2	25	46	69	67
0184G16-42	1	25.4	16	M42-2	30	50	69	67
0184G20-52	1.1/4	31.8	20	M52-2	38	60	84	82
0184G24-52	1.1/2	38.1	24	M52-2	38	60	99	94

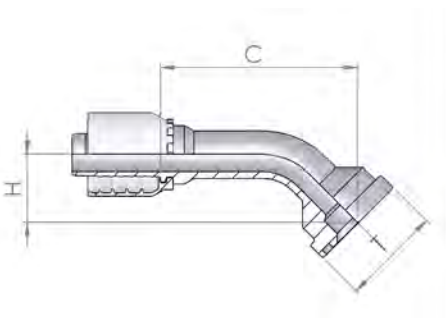
## 1260G



### Straight SAE Flange 3000 PSI

Part number	Hose I.D.		Dimension		
	in	mm	dash size	Flange mm	cut-off C
1260G08-08	1/2	12.7	8	30,2	45
1260G08-12	1/2	12.7	8	38.1	50
1260G10-08	5/8	15.9	10	30,2	45
1260G10-12	5/8	15.9	10	38.1	49
1260G12-12	3/4	19	12	38.1	50
1260G12-16	3/4	19	12	44.5	53
1260G16-16	1	25.4	16	44.5	54
1260G16-20	1	25.4	16	50.8	57
1260G20-20	1.1/4	31.8	20	50.8	59
1260G20-24	1.1/4	31.8	20	60.3	62
1260G24-24	1.1/2	38.1	24	60.3	62
1260G24-32	1.1/2	38.1	24	71.4	67
1260G32-32	2	50.8	32	71.4	68
1260G32-40	2	50.8	32	84.1	76

## 1160G

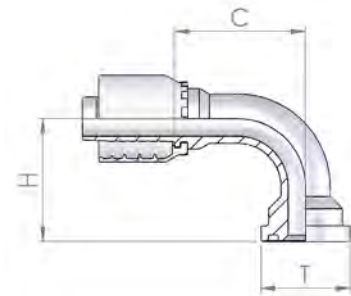


### 45° SAE Flange 3000 PSI

Part number	Hose I.D.		Dimension			
	in	mm	dash size	Flange mm	cut-off C	Drop H
1160G08-08	1/2	12.7	8	30.2	62	22
1160G08-12	1/2	12.7	8	38.1	67	25
1160G12-12	3/4	19	12	38.1	69	27
1160G12-16	3/4	19	12	44.5	88	30
1160G16-16	1	25.4	16	44.5	82	33
1160G20-20	1.1/4	31.8	20	50.8	102	38
1160G20-24	1.1/4	31.8	20	60.3	129	39
1160G24-24	1.1/2	38.1	24	60.3	114	44
1160G24-32	1.1/2	38.1	24	71.4	148	47
1160G32-32	2	50.8	32	71.4	130	58

# 1060G

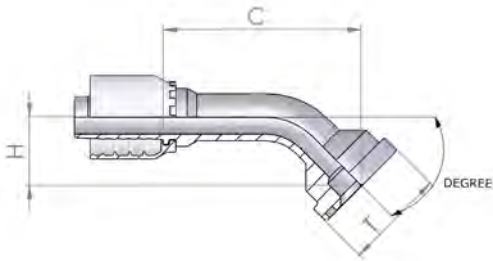
## 90° SAE Flange 3000 PSI



Part number	Hose I.D.		Dimension			
	in	mm	dash size	Flange mm	cut-off C	Drop H
1060G08-08	1/2	12.7	8	30,2	39	39
1060G08-12	1/2	12.7	8	38.1	39	44
1060G10-08	5/8	15.9	10	30,2	45	42
1060G10-12	5/8	15.9	10	38.1	45	47
1060G12-12	3/4	19	12	38.1	56	53
1060G12-16	3/4	19	12	44.5	56	58
1060G16-16	1	25.4	16	44.5	70	65
1060G16-20	1	25.4	16	50.8	70	70
1060G16-24	1	25.4	16	60.3	72	71
1060G20-16	1.1/4	31.8	20	44.5	81	77
1060G20-20	1.1/4	31.8	20	50.8	86	77
1060G20-24	1.1/4	31.8	20	60.3	85	81
1060G24-24	1.1/2	38.1	24	60.3	98	89
1060G24-32	1.1/2	38.1	24	71.4	93	97
1060G32-32	2	50.8	32	71.4	123	121

# 1060G

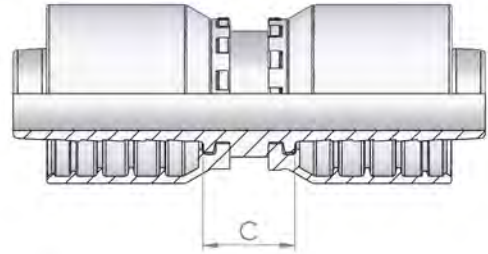
## 22.5°/30°/60°/67.5° SAE Flange 3000 PSI



Part number	Hose I.D.		dash size	Dimension			Degree
	in	mm		Flange	cut-off	Drop	
				mm	C	H	
1060G12-12 22.5	3/4	19	12	38.1	76	11	22.5°
1060G16-16 22.5	1	25.4	16	44.5	89	14	22.5°
1060G20-20 22.5	1.1/4	31.8	20	50.8	111	14	22.5°
1060G24-24 22.5	1.1/2	38.1	24	60.3	124	17	22.5°
1060G32-32 22.5	2	50.8	32	71.4	144	28	22.5°
1060G12-12 30	3/4	19	12	38.1	75	16	30°
1060G16-16 30	1	25.4	16	44.5	87	19	30°
1060G20-20 30	1.1/4	31.8	20	50.8	109	26	30°
1060G24-24 30	1.1/2	38.1	24	60.3	122	23	30°
1060G32-32 30	2	50.8	32	71.4	142	35	30°
1060G12-12 60	3/4	19	12	38.1	76	36	60°
1060G16-16 60	1	25.4	16	44.5	95	43	60°
1060G20-20 60	1.1/4	31.8	20	50.8	116	49	60°
1060G24-24 60	1.1/2	38.1	24	60.3	138	55	60°
1060G32-32 60	2	50.8	32	71.4	170	80	60°
1060G12-12 67.5	3/4	19	12	38.1	72	41	67.5°
1060G16-16 67.5	1	25.4	16	44.5	91	48	67.5°
1060G20-20 67.5	1.1/4	31.8	20	50.8	110	56	67.5°
1060G24-24 67.5	1.1/2	38.1	24	60.3	131	63	67.5°
1060G32-32 67.5	2	50.8	32	71.4	158	92	67.5°

## D050G

## Hose Junction



Part number	Hose I.D.		Dimension	
	in	mm	dash size	cut-off
				<b>C</b>
D050G03	3/16	4.8	3	17
D050G04	1/4	6.4	4	17
D050G05	5/16	7.9	5	17
D050G06	3/8	9.5	6	17
D050G08	1/2	12.7	8	18
D050G10	5/8	15.9	10	18
D050G12	3/4	19.0	12	19
D050G16	1	25.4	16	21
D050G20	1.1/4	31.8	20	24
D050G24	1.1/2	38.1	24	24
D050G32	2	50.8	32	26



SPIRAL HOSE  
NO-SKIVE

in!



**0370X**



NPTF Male 60° Cone

58



**0850X**



JIC Male 74° Cone

58

**0900X**



JIC Female 74° Cone

59

**1000X**



JIC 45° Swept Elbow  
74° Cone

59

**0950X**

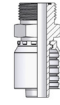


JIC 90° Swept Elbow  
74° Cone

60



**S350X**



ORFS Male

60

**S05TX**



ORFS Female Back  
Hexagon

61

**S250X**



ORFS 45° Swept  
Elbow

61

**S150X**



ORFS 90° Swept  
Elbow

62



**0385X**



SAE Male O'R Flat  
Seat

62



**0940X**

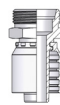


JIS Female 60° Cone  
(Komatsu)

63



**K05BX**



Kobelco Male

63



**0360X**



BSP Taper Male 60°  
Cone

64

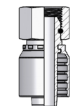
**0350X**



BSP Male Parallel 60°  
Cone

65

**0050X**



BSP Female 60° Cone  
Thrust Wire

66

**0250X**



BSP 45° Swept Elbow  
60° Cone

66

**0150X**



BSP 90° Swept elbow  
60° Cone

67



**0500X**



Metric Male 24° Seat Light

67

**0085X**



Metric Female 24° Seat Light

68

**0085XR**



Metric Female 24° Seat Light (rolled nut)

68

**0285X**



45° Metric Swept Elbow 24° Seat Light

69

**0185X**

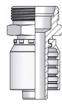


90° Metric Swept Elbow 24° Seat Light

69



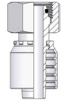
**0450X**



Metric Male 24° Seat Heavy

70

**0084X**



Metric Female 24° Seat Heavy

70

**0284X**



45° Metric Swept Elbow 24° Seat Heavy

71

**0184X**

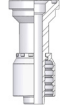


90° Metric Swept Elbow 24° Seat Heavy

71



**1250X**



Straight SAE Flange 3000 PSI

72

**1150X**



45° SAE Flange 3000 PSI

72

**1050X**



90° SAE Flange 3000 PSI

73

**1050X**

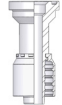


22.5°/30°/60°/67.5° SAE Flange 3000 PSI

74



**1300X**



Straight SAE Flange 6000 PSI

75

**1200X**



45° SAE Flange 6000 PSI

75

**1100X**



90° SAE Flange 6000 PSI

76

**1100X**

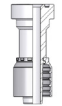


60° SAE Flange 6000 PSI

76



**130SX**



Straight 'CAT' Flange

77

**120SX**



45° 'CAT' Flange

77

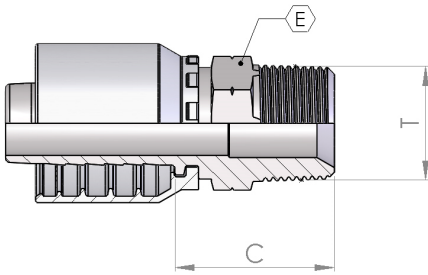
**110SX**



90° 'CAT' Flange

78

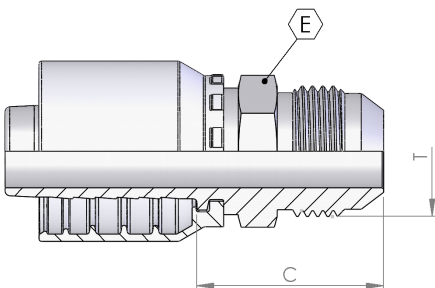
## 0370X



### NPTF Male 60° Cone

Part number	Hose I.D.		Dimension		
	in	mm	dash size	thread	hex
				T	E
0370X12-12	3/4	19	12	3/4-14	27
0370X16-16	1	25.4	16	1-11.1/2	36
0370X20-16	1.1/4	31.8	20	1-11.1/2	41
0370X20-20	1.1/4	31.8	20	1.1/4-11.1/2	46
0370X24-24	1.1/2	38.1	24	1.1/2-11.1/2	50
0370X32-32	2	50.8	32	2-11.1/2	65

## 0850X

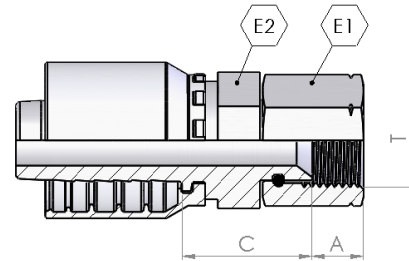


### JIC Male 74° Cone

Part number	Hose I.D.		Dimension		
	in	mm	dash size	thread	hex
				T	E
0850X12-10	3/4	19	12	7/8-14	24
0850X12-12	3/4	19	12	1.1/16-12	27
0850X12-14	3/4	19	12	1.3/16-12	32
0850X12-16	3/4	19	12	1.5/16-12	34
0850X12-20	3/4	19	12	1.5/8-12	42
0850X16-12	1	25.4	16	1.1/16-12	27
0850X16-14	1	25.4	16	1.3/16-12	32
0850X16-16	1	25.4	16	1.5/16-12	34
0850X16-20	1	25.4	16	1.5/8-12	42
0850X20-20	1.1/4	31.8	20	1.5/8-12	42
0850X20-24	1.1/4	31.8	20	1.7/8-12	50
0850X24-24	1.1/2	38.1	24	1.7/8-12	50
0850X32-32	2	50.8	32	2.1/2-12	65

## 0900X

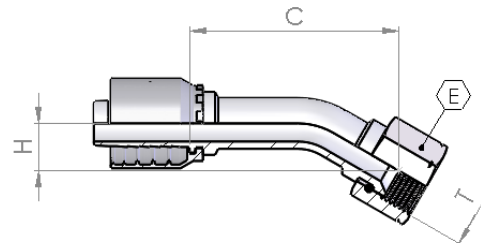
### JIC Female 74° Cone



Part number	Hose I.D.		Dimension			
	in	mm	dash size	thread	hex	
				T	E1	E2
0900X12-12	3/4	19	12	1.1/16-12	32	27
0900X16-16	1	25.4	16	1.5/16-12	38	36
0900X20-20	1	31.8	20	1.5/8-12	50	42
0900X20-24	1,1/4	31.8	20	1.7/8-12	55	42
0900X24-24	1,1/4	38.1	24	1.7/8-12	55	50
0900X32-32	2	50,8	32	2.1/2-12	70	65

## 1000X

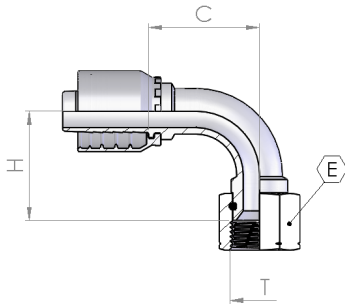
### JIC 45° Swept Elbow 74° Cone



Part number	Hose I.D.		Dimension		
	in	mm	dash size	thread	hex
				T	E
1000X12-12	3/4	19	12	1.1/16-12	32
1000X16-16	1	25.4	16	1.5/16-12	41
1000X20-20	1.1/4	31.8	20	1.5/8-12	50
1000X20-24	1.1/4	31.8	20	1.7/8-12	55
1000X24-24	1.1/2	38.1	24	1.7/8-12	55
1000X32-32	2	50.8	32	2.1/2-12	70

## 0950X

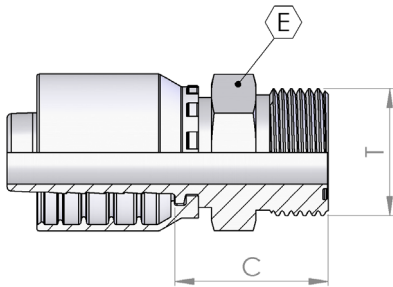
### JIC 90° Swept Elbow 74° Cone



Part number	Hose I.D.		Dimension		
	in	mm	dash size	thread	hex
				T	E
0950X12-12	3/4	19	12	1.1/16-12	32
0950X16-16	1	25.4	16	1.5/16-12	41
0950X20-20	1.1/4	31.8	20	1.5/8-12	50
0950X24-24	1.1/2	38.1	24	1.7/8-12	55
0950X32-32	2	50.8	32	2.1/2-12	70

## S350X

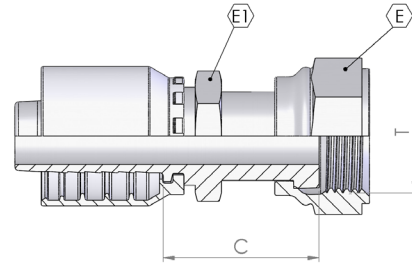
### ORFS Male



Part number	Hose I.D.		Dimension		
	in	mm	dash size	thread	hex
				T	E
S350X12-14	3/4	19	12	1.3/16-12	32
S350X12-15	3/4	19	12	1.7/16-12	38
S350X16-15	1	25.4	16	1.7/16-12	38
S350X16-21	1	25.4	16	1.11/16-12	46
S350X20-21	1.1/4	31.8	20	1.11/16-12	46
S350X24-32	1.1/2	38.1	24	2-12	55

## S05TX

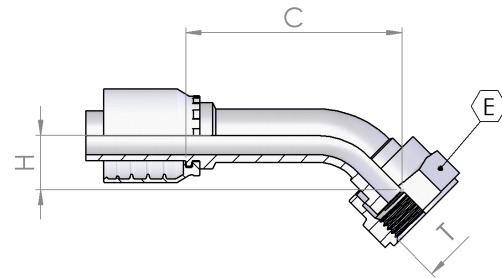
### ORFS Female Back Hexagon



Part number	Hose I.D.		Dimension			
	in	mm	dash size	thread	hex	hex
				T	E	E1
S05TX12-14	3/4	19	12	1.3/16-12	36	3030
S05TX16-15	1	25.4	16	1.7/16-12	41	3636
S05TX20-21	1.1/4	31.8	20	1.11/16-12	46	5050
S05TX24-32	1.1/2	38.1	24	2-12	50	6060

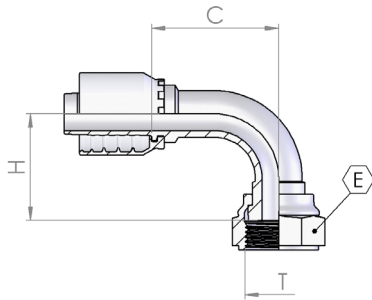
## S250X

### ORFS 45° Swept Elbow



Part number	Hose I.D.		Dimension		
	in	mm	dash size	thread	hex
				T	E
S250X12-13	3/4	19	12	1-14	30
S250X12-14	3/4	19	12	1.3/16-12	36
S250X12-15	3/4	19	12	1.7/16-12	41
S250X16-15	1	25.4	16	1.7/16-12	41
S250X20-21	1.1/4	31.8	20	1.11/16-12	50
S250X24-32	1.1/2	38.1	24	2.1/2-12	60

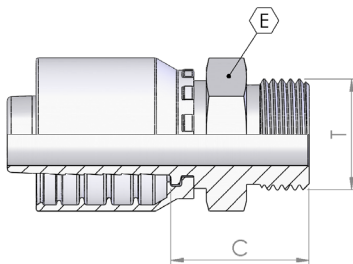
## S150X



### ORFS 90° Swept Elbow

Part number	Hose I.D.		Dimension		
	in	mm	dash size	thread	hex
				T	E
S150X12-13	3/4	19	12	1-14	30
S150X12-14	3/4	19	12	1.3/16-12	36
S150X12-15	3/4	19	12	1.7/16-12	41
S150X16-15	1	25.4	16	1.7/16-12	41
S150X16-21	1	25.4	20	1.11/16-12	50
S150X20-21	1.1/4	31.8	20	1.11/16-12	50
S150X24-32	1.1/2	38.1	24	2-12	60

## 0385X

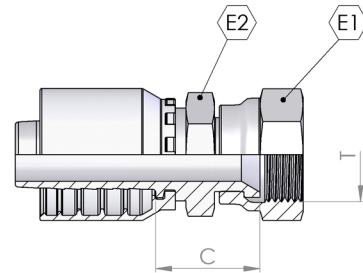


### SAE Male O'R Flat Seat

Part number	Hose I.D.		Dimension		
	in	mm	dash size	thread	hex
				T	E
0385X12-12	3/4	19	12	1.1/16-12	32
0385X12-16	3/4	19	12	1.5/16-12	38

## 0940X

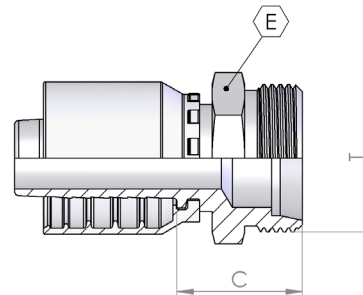
### JIS Female 60° Cone (Komatsu)



Part number	Hose I.D.		Dimension			
	in	mm	dash size	thread	hex	
				T	E1	E2
0940X12-30	3/4	19	12	M30x1,5	36	30
0940X16-33	1	25.4	16	M33x1,5	41	36
0940X20-36	1.1/4	31.8	20	M36x1,5	46	46
0940X24-42	1.1/2	38.1	24	M42x1,5	50	50

## KO5BX

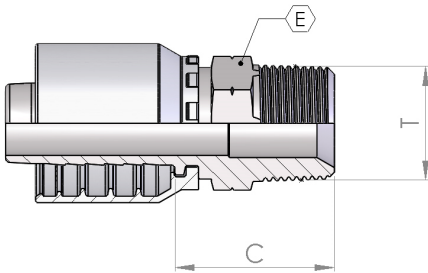
### Kobelco Male



Part number	Hose I.D.		Dimension			
	in	mm	dash size	thread	hex	tube
				T	E	tube
KO5BX12-30	3/4	19	12	M30-1.5	32	<b>22</b>
KO5BX12-36	3/4	19	12	M36-1.5	41	<b>28</b>
KO5BX16-36	1	25.4	16	M36-1.5	41	<b>28</b>
KO5BX16-45	1	25.4	16	M45-1,5	50	<b>35</b>

# 0360X

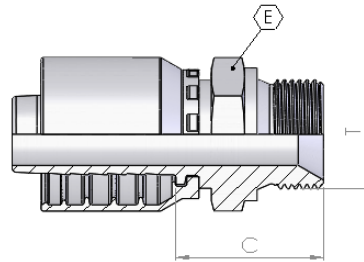
## BSP Taper Male 60° Cone



Part number	Hose I.D.		Dimension		
	in	mm	dash size	thread	hex
				T	E
0360X12-12	3/4	19	12	3/4-14	27
0360X12-16	3/4	19	12	1-11	36
0360X16-16	1	25.4	16	1-11	36
0360X16-20	1	25.4	16	1.1/4-11	46
0360X20-20	1.1/4	31.8	20	1.1/4-11	46
0360X20-24	1.1/4	31.8	20	1.1/2-11	50
0360X24-24	1.1/2	38.1	24	1.1/2-11	50
0360X24-32	1.1/2	38.1	24	2-11	65
0360X32-32	2	50.8	32	2-11	65

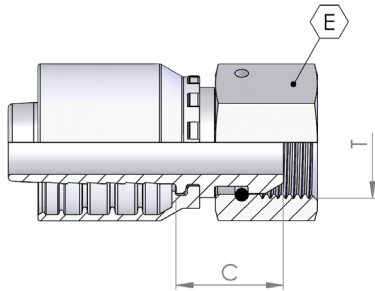
# 0350X

## BSP Male Parallel 60° Cone



Part number	Hose I.D.		Dimension		
	in	mm	dash size	thread	hex
				T	E
0350X12-12	3/4	19	12	3/4-14	32
0350X12-16	3/4	19	12	1-11	41
0350X16-16	1	25.4	16	1-11	41
0350X16-20	1	25.4	16	1.1/4-11	50
0350X20-16	1.1/4	31.8	20	1-11	41
0350X20-20	1.1/4	31.8	20	1.1/4-11	50
0350X20-24	1.1/4	31.8	20	1.1/2-11	55
0350X24-24	1.1/2	38.1	24	1.1/2-11	55
0350X24-32	1.1/2	38.1	24	2-11	70
0350X32-24	2	50.8	32	1.1/2-11	65
0350X32-32	2	50.8	32	2-11	70

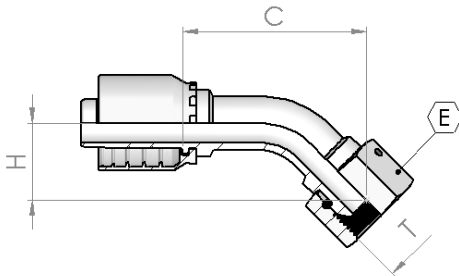
## 0050X



### BSP Female 60° Cone - Thrust Wire

Part number	Hose I.D.		Dimension		
	in	mm	dash size	thread	hex
				T	E
0050X12-12	3/4	19	12	3/4-14	32
0050X16-16	1	25.4	16	1-11	38
0050X16-20	1	25.4	16	1.1/4-11	50
0050X20-20	1.1/4	31.8	20	1.1/4-11	50
0050X20-24	1.1/4	31.8	20	1.1/2-11	55
0050X24-24	1.1/2	38.1	24	1.1/2-11	55
0050X32-32	2	50.8	32	2-11	70

## 0250X

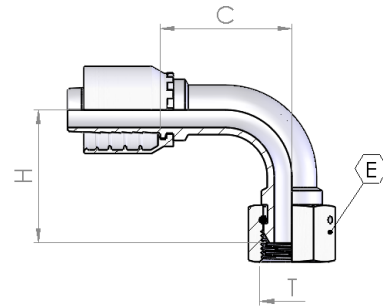


### BSP 45° Swept Elbow 60° Cone

Part number	Hose I.D.		Dimension		
	in	mm	dash size	thread	hex
				T	E
0250X12-12	3/4	19	12	3/4-14	32
0250X16-16	1	25.4	16	1-11	38
0250X16-20	1	25.4	16	1.1/4-11	50
0250X20-20	1.1/4	31.8	20	1.1/4-11	50
0250X20-24	1.1/4	31.8	20	1.1/2-11	55
0250X24-24	1.1/2	38.1	24	1.1/2-11	55
0250X32-32	2	50.8	32	2-11	70

## 0150X

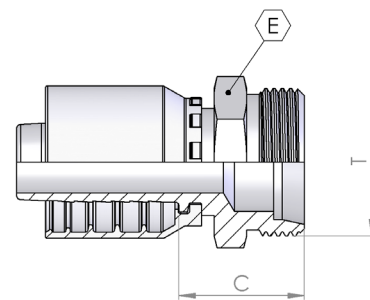
### BSP 90° Swept elbow 60° Cone



Part number	Hose I.D.		Dimension		
	in	mm	dash size	thread	hex
				T	E
0150X12-12	3/4	19	12	3/4-14	32
0150X16-16	1	25.4	16	1-11	38
0150X16-20	1	25.4	16	1.1/4-11	50
0150X20-20	1.1/4	31.8	20	1.1/4-11	50
0150X20-24	1.1/4	31.8	20	1.1/2-11	55
0150X24-24	1.1/2	38.1	24	1.1/2-11	55
0150X32-32	2	50.8	32	2-11	70

## 0500X

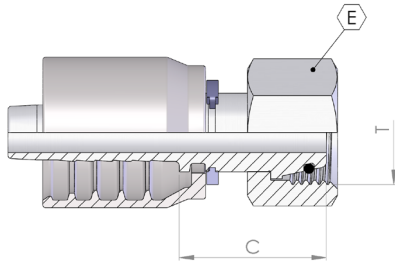
### Metric Male 24° - Seat Light



Part number	Hose I.D.		Dimension		
	in	mm	dash size	thread	hex
				T	E
0500X12-26	3/4	19	12	M26-1.5	27
0500X12-30	3/4	19	12	M30-2	30
0500X16-36	1	25.4	16	M36-2	36
0500X20-45	1.1/4	31.8	20	M45-2	46
0500X24-52	1.1/2	38.1	24	M52-2	55

## 0085X

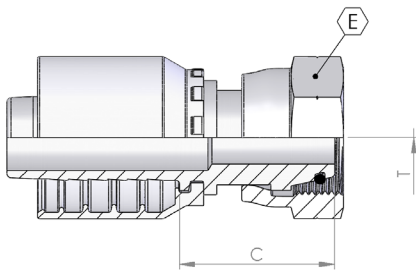
### Metric Female 24° Seat Light



Part number	Hose I.D.		Dimension		
	in	mm	dash size	thread	hex
				T	E
0085X12-30	3/4	19	12	M30-2	36
0085X12-36	3/4	19	12	M36-2	41
0085X16-36	1	25.4	16	M36-2	41
0085X20-45	1.1/4	31.8	20	M45-2	50
0085X24-52	1.1/2	38.1	24	M52-2	60

## 0085X

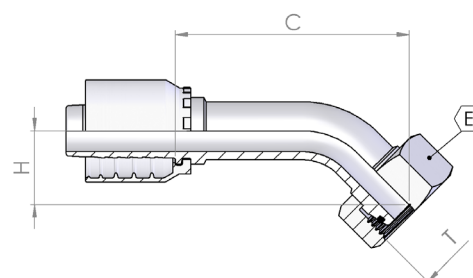
### Metric Female 24° - Seat Light (rolled nut)



Part number	Hose I.D.		Dimension		
	in	mm	dash size	thread	hex
				T	E
0085X-12-26	3/4	19	12	M26-1.5	32

## 0285X

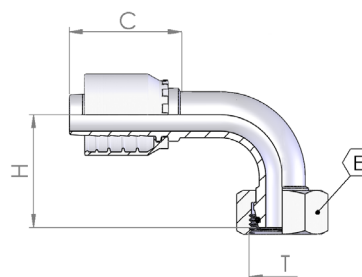
### 45° Metric Swept Elbow 24° - Seat Light



Part number	Hose I.D.		Dimension		
	in	mm	dash size	thread	hex
				T	E
0285X12-26	3/4	19	12	M26-1.5	32
0285X12-30	3/4	19	12	M30-2	36
0285X16-36	1	25.4	16	M36-2	41
0285X20-45	1.1/4	31.8	20	M45-2	50
0285X24-52	1.1/2	38.1	24	M52-2	60

## 0185X

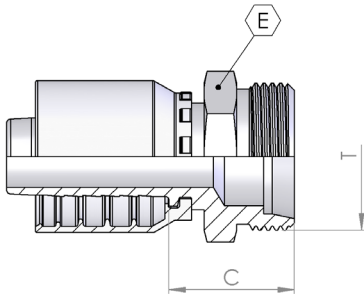
### 90° Metric Swept Elbow 24° - Seat Light



Part number	Hose I.D.		Dimension		
	in	mm	dash size	thread	hex
				T	E
0185X12-26	3/4	19	12	M26-1.5	32
0185X12-30	3/4	19	12	M30-2	36
0185X12-36	3/4	19	12	M36-2	41
0185X16-36	1	25.4	16	M36-2	41
0185X20-45	1.1/4	31.8	20	M45-2	50
0185X24-52	1.1/2	38.1	24	M52-2	60

## 0450X

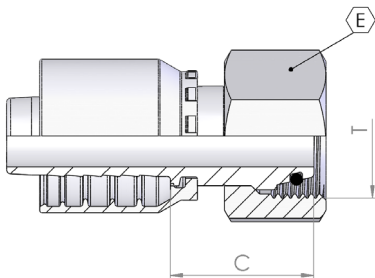
### Metric Male 24° - Seat Heavy



Part number	Hose I.D.		Dimension		
	in	mm	dash size	thread	hex
				T	E
0450X12-30	3/4	19	12	M30-2	36
0450X12-36	3/4	19	12	M36-2	36
0450X16-42	1	25.4	16	M42-2	46
0450X20-42	1.1/4	31.8	20	M42-2	46
0450X20-52	1.1/4	31.8	20	M52-2	55
0450X24-52	1.1/2	38.1	24	M52-2	55

## 0084X

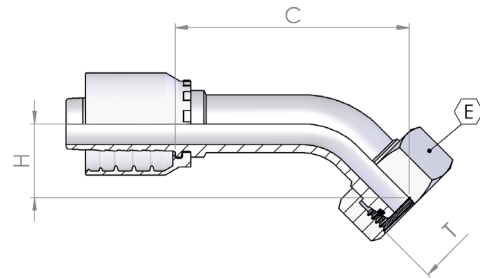
### Metric Female 24° - Seat Heavy



Part number	Hose I.D.		Dimension		
	in	mm	dash size	thread	hex
				T	E
0084X12-30	3/4	19	12	M30-2	36
0084X12-36	3/4	19	12	M36-2	46
0084X16-36	1	25.4	16	M36-2	46
0084X16-42	1	25.4	16	M42-2	50
0084X20-52	1.1/4	31.8	20	M52-2	60
0084X24-52	1.1/2	38.1	24	M52-2	60

## 0284X

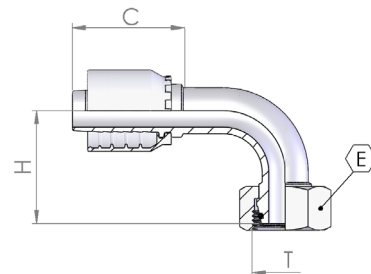
### 45° Metric Swept Elbow 24° - Seat Heavy



Part number	Hose I.D.		Dimension		
	in	mm	dash size	thread	hex
				T	E
0284X12-30	3/4	19	12	M30-2	36
0284X12-36	3/4	19	12	M36-2	46
0284X16-42	1	25.4	16	M42-2	50
0284X20-52	1.1/4	31.8	20	M52-2	60

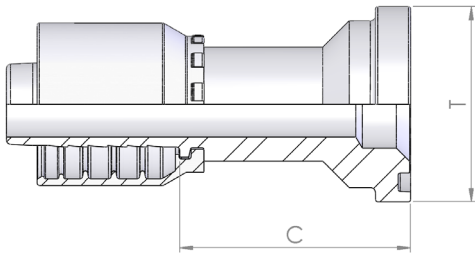
## 0184X

### 90° Metric Swept Elbow 24° - Seat Heavy



Part number	Hose I.D.		Dimension		
	in	mm	dash size	thread	hex
				T	E
0184X12-30	3/4	19	12	M30-2	36
0184X12-36	3/4	19	12	M36-2	46
0184X16-42	1	25.4	16	M42-2	50
0184X20-52	1.1/4	31.8	20	M52-2	60
0184X24-52	1.1/2	38.1	24	M52-2	60

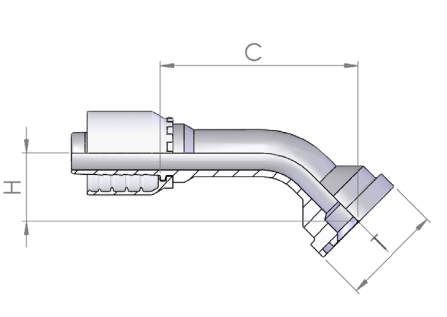
## 1250X



### Straight SAE Flange 3000 PSI

Part number	Hose I.D.		Dimension		
	in	mm	dash size	thread	Flange
				in	mm
1250X12-12	3/4	19	12	3/4	38.1
1250X12-16	3/4	19	12	1	44.5
1250X16-16	1	25.4	16	1	44.5
1250X16-20	1	25.4	16	1.1/4	50.8
1250X20-20	1.1/4	31.8	20	1.1/4	50.8
1250X20-24	1.1/4	31.8	20	1.1/2	60.3
1250X24-24	1.1/2	38.1	24	1.1/2	60.3
1250X24-32	1.1/2	38.1	24	2	71.4
1250X32-32	2	50.8	32	2	71.4

## 1150X

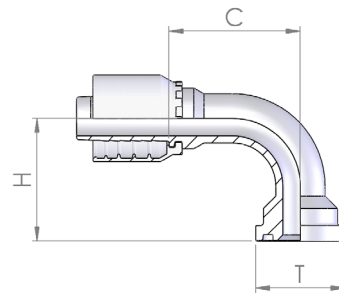


### 45° SAE Flange 3000 PSI

Part number	Hose I.D.		Dimension		
	in	mm	dash size	thread	Flange
				in	mm
1150X12-12	3/4	19	12	3/4	38.1
1150X12-16	3/4	19	12	1	44.5
1150X16-16	1	25.4	16	1	44.5
1150X16-20	1	25.4	16	1.1/4	50.8
1150X20-20	1.1/4	31.8	20	1.1/4	50.8
1150X20-24	1.1/4	31.8	20	1.1/2	60.3
1150X24-24	1.1/2	38.1	24	1.1/2	60.3
1150X24-32	1.1/2	38.1	24	2	71.4
1150X32-32	2	50.8	32	2	71.4

## 1050X

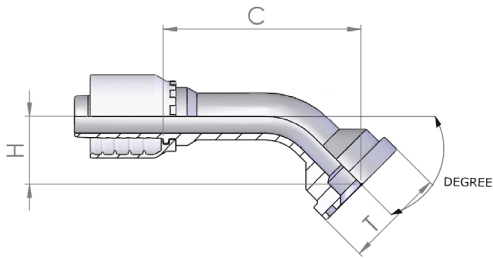
## 90° SAE Flange 3000 PSI



Part number	Hose I.D.		Dimension		
	in	mm	dash size	thread	Flange
				in	mm
1050X12-12	3/4	19	12	3/4	38.1
1050X12-16	3/4	19	12	1	44.5
1050X16-16	1	25.4	16	1	44.5
1050X16-20	1	25.4	16	1.1/4	50.8
1050X20-16	1.1/4	31.8	20	1	44.5
1050X20-20	1.1/4	31.8	20	1.1/4	50.8
1050X20-24	1.1/4	31.8	20	1.1/2	60.3
1050X24-24	1.1/2	38.1	24	1.1/2	60.3
1050X24-32	1.1/2	38.1	24	2	71.4
1050X32-32	2	50.8	32	2	71.4

# 1050X

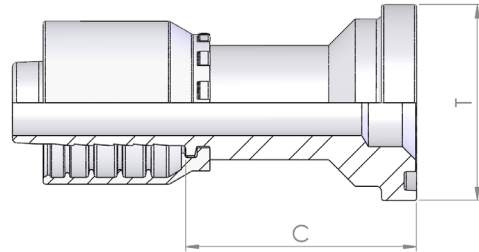
**22.5°/30°/60°/67.5°  
SAE Flange 3000 PSI**



Part number	Hose I.D.		Dimension			Degree
	in	mm	dash size	thread	Flange	
					in	
1050X12-12 22.5	3/4	19	12	3/4	38.1	22.5
1050X16-16 22.5	1	25.4	16	1	44.5	22.5
1050X20-20 22.5	1.1/4	31.8	20	1.1/4	50.8	22.5
1050X12-12 30	3/4	19	12	3/4	38.1	30
1050X16-16 30	1	25.4	16	1	44.5	30
1050X20-20 30	1.1/4	31.8	20	1.1/4	50.8	30
1050X24-24 30	1.1/2	38.1	24	1.1/2	60.3	30
1050X12-12 60	3/4	19	12	3/4	38.1	60
1050X16-16 60	1	25.4	16	1	44.5	60
1050X20-20 60	1.1/4	31.8	20	1.1/4	50.8	60
1050-32-32 60	2	50.8	32	2	71.4	60
1050X12-12 67.5	3/4	19	12	3/4	38.1	67.5
1050X16-16 67.5	1	25.4	16	1	44.5	67.5
1050X20-20 67.5	1.1/4	31.8	20	1.1/4	50.8	67.5
1050X24-24 67.5	1.1/2	38.1	24	1.1/2	60.3	67.5
1050X32-32 67.5	2	50.8	32	2	71.4	67.5

# 1300X

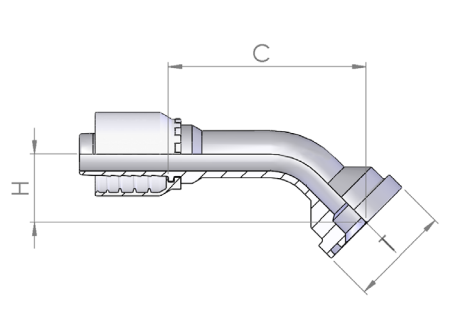
## Straight SAE Flange 6000 PSI



Part number	Hose I.D.		Dimension		
	in	mm	dash size	thread	Flange
				in	mm
1300X12-12	3/4	19	12	3/4	41.3
1300X12-16	3/4	19	12	1	47.6
1300X16-16	1	25.4	16	1	47.6
1300X16-20	1	25.4	16	1.1/4	54
1300X20-20	1.1/4	31.8	20	1.1/4	54
1300X20-24	1.1/4	31.8	20	1.1/2	63.5
1300X24-24	1.1/2	38.1	24	1.1/2	63.5
1300X24-32	1.1/2	38.1	24	2	79.4
1300X32-32	2	50.8	32	2	79.4

# 1200X

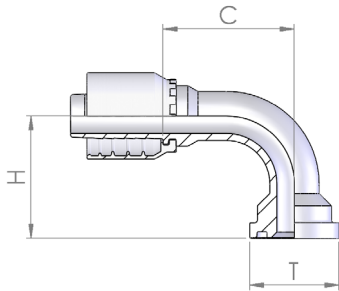
## 45° SAE Flange 6000 PSI



Part number	Hose I.D.		Dimension		
	in	mm	dash size	thread	Flange
				in	mm
1200X12-12	3/4	19	12	3/4	41.3
1200X12-16	3/4	19	12	1	47.6
1200X16-16	1	25.4	16	1	47.6
1200X16-20	1	25.4	16	1.1/4	54
1200X20-20	1.1/4	31.8	20	1.1/4	54
1200X20-24	1.1/4	31.8	20	1.1/2	63.5
1200X24-24	1.1/2	38.1	24	1.1/2	63.5
1200X24-32	1.1/2	38.1	24	2	79.4
1200X32-32	2	50.8	32	2	79.4

# 1100X

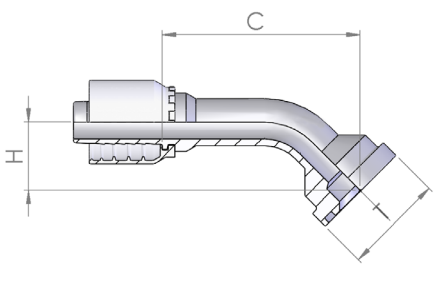
## 90° SAE Flange 6000 PSI



Part number	Hose I.D.		Dimension		
	in	mm	dash size	thread	Flange
				in	mm
1100X12-12	3/4	19	12	3/4	41.3
1100X12-16	3/4	19	12	1	47.6
1100X16-16	1	25.4	16	1	47.6
1100X16-20	1	25.4	16	1.1/4	54
1100X20-20	1.1/4	31.8	20	1.1/4	54
1100X20-24	1.1/4	31.8	20	1.1/2	63.5
1100X24-24	1.1/2	38.1	24	1.1/2	63.5
1100X24-32	1.1/2	38.1	24	2	79.4
1100X32-32	2	50.8	32	2	79.4

# 1100X

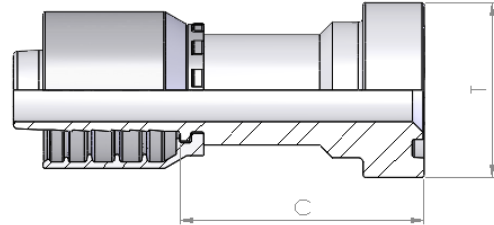
## 60° SAE Flange 6000 PSI



Part number	Hose I.D.		Dimension			Degree
	in	mm	dash size	thread	Flange	
				in	mm	
1100X12-12 60	3/4	19	12	3/4	38.1	60°
1100X16-16 60	1	25.4	16	1	44.5	60°
1100X20-20 60	1.1/4	31.8	20	1.1/4	50.8	60°
1100X24-24 60	1.1/2	38.1	24	1.1/2	60.3	60°
1100X32-32 60	2	50.8	32	2	79.4	60°

## 130SX

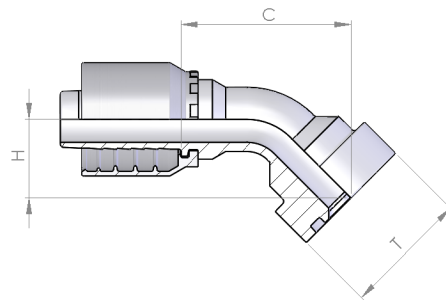
### Straight 'CAT' Flange



Part number	Hose I.D.		Dimension		
	in	mm	dash size	thread	Flange
				in	mm
130SX12-12	3/4	19	12	3/4	41
130SX12-16	3/4	19	12	1	48
130SX16-16	1	25.4	16	1	48
130SX16-20	1	25.4	16	1.1/4	54
130SX20-20	1.1/4	31.8	20	1.1/4	54
130SX20-24	1.1/4	31.8	20	1.1/2	63.5
130SX24-24	1.1/2	38.1	24	1.1/2	63.5
130SX32-32	2	50.8	32	2	79.4

## 120SX

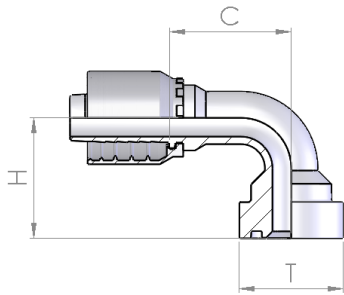
### 45° 'CAT' Flange



Part number	Hose I.D.		Dimension		
	in	mm	dash size	thread	Flange
				in	mm
120SX12-12	3/4	19	12	3/4	41
120SX12-16	3/4	19	12	1	48
120SX16-16	1	25.4	16	1	48
120SX16-20	1	25.4	16	1.1/4	54
120SX20-20	1.1/4	31.8	20	1.1/4	54
120SX20-24	1.1/4	31.8	20	1.1/2	63.5
120SX24-24	1.1/2	38.1	24	1.1/2	63.5
120SX32-32	2	50.8	32	2	79.4

# 110SX

## 90° 'CAT' Flange



Part number	Hose I.D.		Dimension		
	in	mm	dash size	thread	Flange
				in	mm
110SX12-12	3/4	19	12	3/4	41
110SX12-16	3/4	19	12	1	48
110SX16-16	1	25.4	16	1	48
110SX16-20	1	25.4	16	1.1/4	54
110SX20-20	1.1/4	31.8	20	1.1/4	54
110SX20-24	1.1/4	31.8	20	1.1/2	63.5
110SX24-24	1.1/2	38.1	24	1.1/2	63.5
110SX24-32	1.1/2	38.1	24	2	79.4
110SX32-32	2	50.8	32	2	79.4

## Analytical Index

037GG.....	9	0750G.....	37
0041G.....	29	0850G.....	10
0050G.....	26	0850X.....	58
0050X.....	66	0900X.....	59
0051G.....	26	0910G.....	12
0060G.....	31	0911G.....	11
0084G.....	47	0930G.....	21
0084X.....	70	0940G.....	22
0085G.....	43	0940X.....	63
0085G.....	43	0950G.....	14
0085X.....	68	0950X.....	60
0085X.....	68	0951G.....	13
1105X.....	78	0980G.....	21
1205X.....	77	0990G.....	23
1305X.....	77	1000G.....	13
0141G.....	30	1000X.....	59
0150G.....	28	1001G.....	12
0150X.....	67	1040G.....	22
0151G.....	28	1050X.....	73
0184G.....	49	1050X.....	74
0184X.....	71	1060G.....	51
0185G.....	45	1060G.....	52
0185G.....	45	1100X.....	76
0185X.....	69	1100X.....	76
0241G.....	29	1150X.....	72
0250G.....	27	1160G.....	50
0250X.....	66	1200X.....	75
0251G.....	27	1250X.....	72
0284G.....	48	1260G.....	50
0284X.....	71	1300X.....	75
0285G.....	44	1350G.....	40
0285G.....	44	1400G.....	32
0285X.....	69	1600.....	33
0350G.....	25	1600-00.....	33
0350X.....	65	1650.....	41
0360G.....	24	2321G.....	30
0360X.....	64	2971G.....	14
0370G.....	8	D050G.....	53
0370X.....	58	FK50G.....	34
0385G.....	18	IF00G.....	19
0385X.....	62	IF45G.....	20
0390G.....	18	IF90G.....	20
0395G.....	19	K05BG.....	23
0450G.....	46	K05BX.....	63
0450X.....	70	N051G.....	9
0500G.....	42	S05TG.....	15
0500X.....	67	S05TX.....	61
0550G.....	35	S150G.....	17
0650G.....	38	S150X.....	62
0650G.....	39	S250G.....	16
0750G.....	36	S250X.....	61
		S350G.....	15
		S350X.....	60

## Type Index

22.5°/30°/60°/67.5° .....	74	JIC 90° Compact Elbow 74° Cone - Crimped Nut .....	14
22.5°/30°/60°/67.5° SAE .....	52	JIC 90° Swept Elbow 74° Cone .....	60
45° 'CAT' Flange .....	77	JIC 90° Swept Elbow 74° Cone - Rolled Nut .....	12
45° JIS Swept Elbow ( Komatsu) - Welded .....	22	JIC 90° Swept Elbow 74° Cone - Rolled Nut .....	13
45° Male Inverted Flare Swivel.....	20	JIC 90° Swept Elbow 74° Cone - Thrust Wire Nut .....	14
45° Metric Standpipe .....	36	JIC Female 74° Cone.....	59
45° Metric Standpipe (Welded).....	37	JIC Female 74° Cone - Rolled Nut .....	11
45° Metric Swept Elbow 24° - Seat Heavy .....	48	JIC Female 74° Cone - Thrust Wire Nut .....	12
45° Metric Swept Elbow 24° - Seat Heavy .....	71	JIC Male 74° Cone .....	10
45° Metric Swept Elbow 24° - Seat Light .....	44	JIC Male 74° Cone .....	58
45° Metric Swept Elbow 24° - Seat Light .....	69	JIS Female 60° Cone (Komatsu) .....	22
45° Metric Swept Elbow 24° - Seat Light (R. nut) .....	44	JIS Female 60° Cone (Komatsu) .....	63
45° SAE Flange 3000 PSI.....	50	JIS Female 60° Cone (Toyota) .....	21
45° SAE Flange 3000 PSI.....	72	K' Female.....	34
45° SAE Flange 6000 PSI.....	75	Kobelco Male.....	56
60° SAE Flange 6000 PSI .....	76	Kobelco Male.....	63
90° 'CAT' Flange .....	78	Kobelco Male.....	23
90° JIS Swept Elbow (Komatsu) - Welded.....	23	Metric Banjo.....	40
90° JIS Swept Elbow (Toyota) - welded.....	21	Metric Female 24° - .....	68
90° Male Inverted Flare Swivel .....	20	Metric Female 24° - .....	70
90° Metric Standpipe .....	38	Metric Female 24° - Seat Heavy.....	47
90° Metric Standpipe (welded).....	39	Metric Female 24° - Seat Light.....	43
90° Metric Swept Elbow 24° - Seat Heavy .....	49	Metric Female 24° Seat Light.....	68
90° Metric Swept Elbow 24° - Seat Heavy .....	71	Metric Female 24° - Seat Light (R. nut).....	43
90° Metric Swept Elbow 24° - Seat Light .....	45	Metric Male 24° - Seat Heavy .....	46
90° Metric Swept Elbow 24° - Seat Light .....	69	Metric Male 24° - Seat Heavy .....	70
90° Metric Swept Elbow 24° - Seat Light (R. nut) .....	45	Metric Male 24° - Seat Light.....	42
90° SAE Flange 3000 PSI .....	51	Metric Male 24° - Seat Light.....	67
90° SAE Flange 3000 PSI .....	73	Metric perfored bolt.....	41
90° SAE Flange 6000 PSI .....	76	Metric Standpipe.....	35
90° Swivel Male O'ring .....	19	NPSM Female 60° Cone Rolled Nut.....	9
BSP 45° Swept Elbow 60° Cone .....	66	NPTF Male 60° Cone.....	8
BSP 45° Swept Elbow 60° Cone - Rolled nut.....	27	NPTF Male 60° Cone.....	58
BSP 45° Swept Elbow 60° Cone - Thrust Wire Nut... ..	27	NPTF Male Parallel 60° Cone - Rotating.....	9
BSP 90° Compact Elbow 60° Cone - Rolled nut.....	30	ORFS 45° Swept Elbow.....	16
BSP 90° Swept elbow 60° Cone .....	67	ORFS 45° Swept Elbow.....	61
BSP 90° Swept elbow 60° Cone - Rolled Nut .....	28	ORFS 90° Swept Elbow.....	17
BSP 90° Swept Elbow 60° Cone - Thrust Wire Nut... ..	28	ORFS 90° Swept Elbow.....	62
BSP Banjo.....	32	ORFS Female Back Hexagon.....	15
BSP Female 60° Cone - .....	66	ORFS Female Back Hexagon.....	61
BSP Female 60° Cone - Rolled Nut .....	26	ORFS Male .....	15
BSP Female 60° Cone - Thrust Wire Nut.....	26	ORFS Male .....	60
BSP Female Flat Seal .....	31	SAE Flange 3000 PSI .....	74
BSP Male Parallel 60° Cone .....	25	SAE Male O'R - Flat Seat .....	18
BSP Male Parallel 60° Cone .....	65	SAE Male O'R Flat Seat .....	62
BSP O'Ring 45° Swept Elbow 60° Cone - Rolled nut .....	29	Seat Heavy.....	70
BSP O'Ring 90° Swept elbow 60° Cone- Rolled Nut.....	30	Seat Light (R. nut) .....	68
BSP O'Ring Female 60° Cone- Rolled Nut.....	29	Straight 'CAT' Flange .....	77
BSP perfored bolt.....	33	Straight Male Inverted Flare Swivel .....	19
BSP Taper Male 60° Cone.....	24	Straight SAE Flange 3000 PSI .....	50
BSP Taper Male 60° Cone.....	64	Straight SAE Flange 3000 PSI .....	72
Double BSP perfored bolt.....	33	Straight SAE Flange 6000 PSI .....	75
Flange 3000 PSI.....	52	Swivel Male O'Ring .....	18
Hose Junction .....	53	Thrust Wire .....	66
JIC 45° Swept Elbow 74° Cone .....	59		
JIC 45° Swept Elbow 74° Cone - Slipe on nut.....	13		

