



# INTERPUMP

FLUID SOLUTIONS 

Powered by I.M.M. Hydraulics

## Carbon Steel fittings

---

---

# **Carbon Steel fittings**

**Standard tail  
Inter-lock Tail  
Hyblast Tail  
Multispiral Tail  
Low Pressure**

We have also available the following catalogues

**Hydraulic Hoses and Accessories**

**One-Piece fittings**



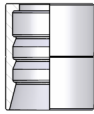
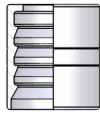

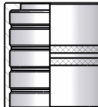



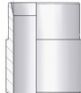
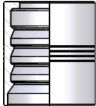


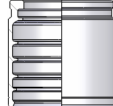

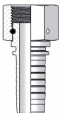

**Stainless Steel fittings**



Standard  
tail

in!



Braided Trecciato	<b>001C</b>	<b>0022</b>	<b>0001</b>	<b>0002</b>
				
	Swaged Ferrule (no skive)	Swaged Ferrule (no skive)	Swaged Ferrule (skive)	Swaged Ferrule (skive)
	9	10	11	12
Compact Compatto	<b>003T</b>	Textile Tessile	<b>0003</b>	Thermo plastic
				
	Swaged Ferrule (no skive)		Swaged Ferrule (no skive)	
	12		13	
<b>0007</b>	<b>0008</b>	PTFE	<b>PTFE</b>	<b>PTFE-C</b>
				
Swaged Ferrule (no skive)	Swaged Ferrule (no skive)		Ferrule for PTFE hose	Ferrule for PTFE hose
13	14		14	15
Spiral	<b>0009</b>	<b>004H</b>	<b>BMC1</b>	<b>BMC2</b>
				
	Swaged Ferrule (skive)	Swaged Ferrule (skive)	Swaged Ferrule (no skive)	Swaged Ferrule (no skive)
	15	16	16	17
BSP Flat	<b>0345</b>	<b>0060</b>	MALE BSP 60°	<b>0350</b>
				
	BSP Male - Flat Seat	BSP Female Flat Seal		BSP Male Parallel 60° cone
	17	18		19

**035G**



BSP Male Parallel 60°  
Cone - Rotating

21



**0051**



BSP Female 60° Cone  
Rolled Nut

22

**0050**



BSP Female 60° cone  
Thrust Wire

23

**0058**



BSP Female 60° Cone  
Slip On Nut

24

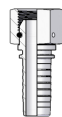
**0041**



BSP O'Ring Female  
60° Cone - Rolled Nut

24

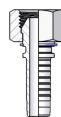
**0040**



BSP O'Ring Female  
60° Cone-Thrust  
wire

25

**0048**



BSP O'Ring Female  
60° Cone - Slip on nut

25

**0151**



BSP 90° Swept elbow  
60° cone Rolled Nut

26

**0150**



BSP 90° Swept Elbow  
60° cone Thrust Wire

27

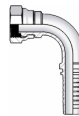
**0158**



BSP 90° Swept elbow  
60° cone Slip On Nut

28

**0141**



BSP O'Ring 90° Swept  
elbow 60° cone- Rol-  
led Nut

28

**0140**



BSP O'Ring 90° Swept  
elbow 60° cone-  
Thrust Wire Nut

29

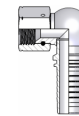
**0148**



BSP O'Ring 90° Swept  
elbow 60° cone- Slip  
on nut

29

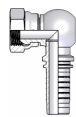
**2300**



BSP 90° Compact EL-  
bow 60° Cone - Thrust  
wire - Welded

30

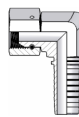
**2301**



BSP 90° Compact EL-  
bow 60° Cone - Rolled  
nut - Welded

30

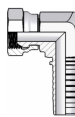
**2320**



BSP 90° Compact EL-  
bow 60° Cone - Thrust  
wire

31

**2321**



BSP 90° Compact EL-  
bow 60° Cone - Rolled  
nut

31

**0251**



BSP 45° Swept Elbow  
60° Cone - Rolled nut

32

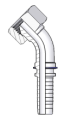
**0250**



BSP 45° Swept Elbow  
60° Cone - Thrust  
Wire Nut

33

**0258**



BSP 45° Swept Elbow  
60° Cone - Slip on  
nut

34

**0241**



BSP O'Ring 45° Swept  
Elbow 60° Cone - Rol-  
led nut

34

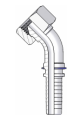
**0240**



BSP O'Ring 45° Swept  
Elbow 60° Cone -  
Thrust Wire Nut

35

**0248**

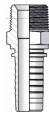


BSP O'Ring 45° Swept  
Elbow 60° Cone - Slip  
on nut

35

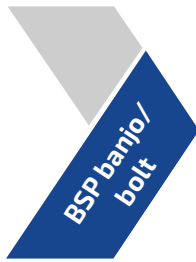


**0360**



BSP Taper Male 60° cone

20



**1400**



BSP Banjo

36

**1600**



Double BSP perfored bolt

37

**1600-00**



BSP perfored bolt

37



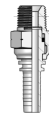
**0370**



NPTF Male 60° cone

38

**037G**



NPTF Male Parallel 60° Cone - Rotating

39

**N051**



NPSM Female 60° Cone Rolled Nut

39



**0850**



JIC Male 74° cone

40



**0901**



JIC Female 74° cone - Rolled Nut

41

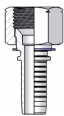
**0900**



JIC Female 74° Thrust Wire Nut

42

**0902**



JIC Female 74° - Slip on nut

43

**0901D**



JIC Female 74° cone - Double hexagon

43

**0951**



JIC 90° Swept Elbow 74° cone - Rolled Nut

44

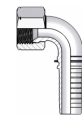
**0950**



JIC 90° Swept Elbow 74° cone - Thrust Wire Nut

45

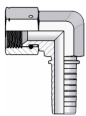
**0952**



JIC 90° Swept Elbow 74° cone - Slip on nut

46

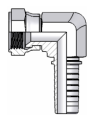
**2970**



JIC 90° Compact Elbow 74° cone - Thrust Wire Nut

46

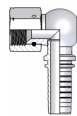
**2971**



JIC 90° Compact Elbow 74° cone - Crimped Nut

47

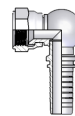
**2950**



JIC 90° Compact Elbow 74° cone - Thrust Wire Nut - Welded

47

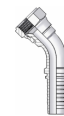
**2951**



JIC 90° Compact Elbow 74° cone - Rolled Nut - Welded

48

**1001**



JIC 45° Swept Elbow 74° cone - Rolled Nut

49

**1000**



JIC 45° Swept Elbow  
74° Cone Slipe on nut

50

**1002**



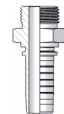
JIC 45° Swept Elbow  
74° Cone Slipe on nut

51



SAE Boss

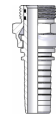
**0385**



SAE Male O'R Flat  
Seat

51

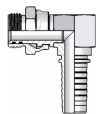
**0390**



Swivel Male O'Ring

52

**0395**



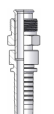
90° Swivel Male O'ring

52



Inverted Flare

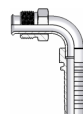
**IF00**



Straight Male Inverted  
Flare Swivel

53

**IF90**



90° Male Inverted  
Flare Swivel

54

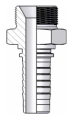
**IF45**



45° Male Inverted  
Flare Swivel

54

**0400**



Metric Male 60° cone

55

**0100**



Metric Female 60°  
cone

56

**0200**



90° Metric Swept  
Elbow 60° cone

56

**0300**



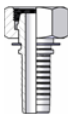
45° Metric Swept  
Elbow 60° cone

57



Metric Din  
24° DKL

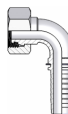
**0035**



Metric Female 24°  
Seat Light Multiseal

57

**0135**



90° Metric Swept  
Elbow 24° Seat Light  
Multiseal

58

**0235**



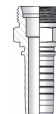
45° Metric Swept  
Elbow 24° Seat Light  
Multiseal

58



Metric Din  
24° CEL

**0500**



Metric Male 24° Seat  
Light

59

Metric Din  
24° DKOL

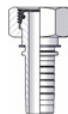
**0085**



Metric Female 24°  
Seat Light

60

**0085R**



Metric Female 24°  
Seat Light (rolled  
nut)

61

**0185**



90° Metric Swept  
Elbow 24° Seat Light

62

**0185R**



90° Metric Swept  
Elbow 24° Seat Light  
(rolled nut)

63

**0285**



45° Metric Swept Elbow 24° Seat Light

64

**0285R**



45° Metric Swept Elbow 24° Seat Light (rolled nut)

64



**0450**



Metric Male 24° Seat Heavy

65



**0084**



Metric Female 24° Seat Heavy

66

**0184**



90° Metric Swept Elbow 24° Seat Heavy

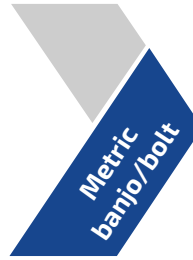
67

**0284**



45° Metric Swept Elbow 24° Seat Heavy

68



**1350**



Metric Banjo

69

**1650**



Metric perfored bolt

70

**0550**



Metric Standpipe

71



**0650**



90° Metric Standpipe

72

**0650S**



90° Metric Standpipe (welded)

73

**0750**



45° Metric Standpipe

74

**0750S**

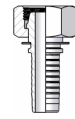


45° Metric Standpipe (Welded)

75



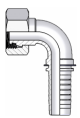
**0030**



Metric Female 24° Cone French Type

76

**0130**

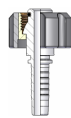


90° Metric Swept Elbow 24° Cone French Type

76



**FK50**



K' Female

77

**FN50**



'K' Male ( for gun) - Diameter 10

77

**FN51**



'K' Male ( for gun) - Diameter 11

78



**0398**



Staplelock Male

78



**K05B**

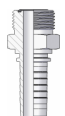


Kobelko Male

79



**S350**

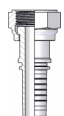


ORFS Male

80



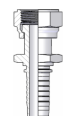
**S050**



ORFS Female

81

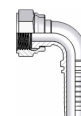
**S05T**



ORFS Female Back Hexagon

82

**S150**



ORFS 90° Swept Elbow

83

**S250**

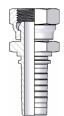


ORFS 45° Swept Elbow

84



**0920**

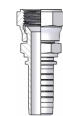


JIS Female 60° cone (Nissan)

85



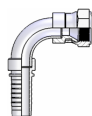
**0930**



JIS Female 60° cone (Toyota)

85

**0980S**



90° JIS Swept Elbow (Toyota) - welded

86

**1030S**



45° JIS Swept Elbow (Toyota) - welded

86



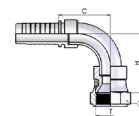
**0940**



JIS Female 60° Cone (Komatsu)

87

**0990S**



90° JIS Swept Elbow (Komatsu) - welded

87

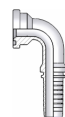
**1040S**



45° JIS Swept Elbow (Komatsu) - welded

88

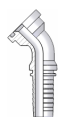
**1050**



Komatsu Flange 90°

80

**1150**



Komatsu Flange 45°

88

**1250**



Komatsu Flange - Straight

89



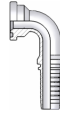
**1260**



Straight SAE Flange  
3000 PSI

89

**1060**



90° SAE Flange 3000  
PSI

90

**1160**



45° SAE Flange 3000  
PSI

91

**1060**

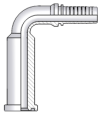


22.5°/30°/60°/67.5°  
SAE Flange 3000 PSI

92



**FS3L**



90° SAE Flange 3000  
Psi - Long Drop

93

**S003**



Cut Split Flanges -  
3000 psi

93



**1310**



Straight SAE Flange  
6000 PSI

94

**1110**



90° SAE Flange 6000  
PSI

95

**1210**



45° SAE Flange 6000  
PSI

96

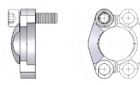
**FS6L**



90° SAE Flange 6000  
Psi - Long Drop

97

**S006**



Cut Split Flanges -  
6000 psi

97



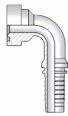
**130S**



Straight 'CAT' Flange

98

**110S**



90° 'CAT' Flange

98

**120S**



45° 'CAT' Flange

99



**D050**



Hose Junction

99



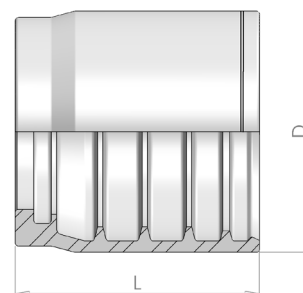
**G500**



Weldable Fitting

100

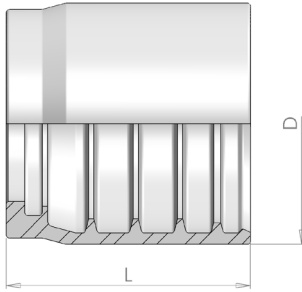
## Swaged Ferrule (no skive)



Part number	Hose I.D.		Dimensions		Skive Length
	in	mm	D	L	
001C-03	3/16	4,8	185	24	NO
001C-04	1/4	6.4	20	26	NO
001C-05	5/16	7.9	22	28	NO
001C-06	3/8	9.5	25	28	NO
001C-08	1/2	12.7	28	28	NO
001C-10	5/8	15.9	32	31	NO
001C-12	3/4	19	36	38	NO
001C-16	1	25.4	44	475	NO
001C-20	1.1/4	31.8	54	56	NO
001C-24	1.1/2	38.1	616	66	NO
001C-32	2	50.8	754	73	NO
001C-40	2.1/2	63,5	884	80	NO
001C-48	3	76,2	1005	90	NO

# 0022

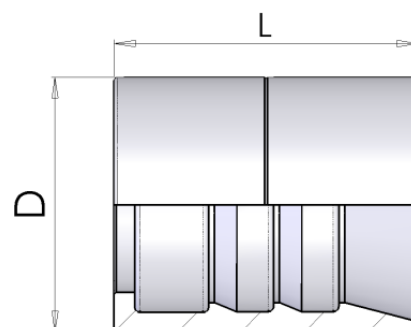
## Swaged Ferrule (no skive)



Part number	Hose I.D.		Dimensions		Skive Length
	in	mm	D	L	
0022-03	3/16	4.8	21	253	NO
0022-04	1/4	6.4	22	28	NO
0022-05	5/16	7.9	24	28	NO
0022-06	3/8	9.5	26	28	NO
0022-08	1/2	12.7	30	31	NO
0022-10	5/8	15.9	34	31	NO
0022-12	3/4	19	38	385	NO
0022-16	1	25.4	47	48	NO
0022-20	1.1/4	31.8	58	56	NO
0022-24	1.1/2	38.1	66	66	NO
0022-32	2	50.8	79	73	NO

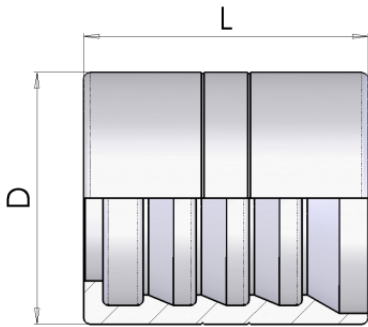
0001

## Swaged Ferrule (skive)



Part number	Hose I.D.		Dimensions		Skive Length
	in	mm	D	L	
0001-03	3/16	4.8	175	27	20
0001-04	1/4	6.4	20	302	23
0001-05	5/16	7.9	22	307	23
0001-06	3/8	9.5	24	32	24
0001-08	1/2	12.7	285	34	25
0001-10	5/8	15.9	32	37	27
0001-12	3/4	19	36	43	31
0001-16	1	25.4	43	50	37
0001-20	1.1/4	31.8	52	57	46
0001-24	1.1/2	38.1	57	63	44
0001-32	2	50.8	706	78	60

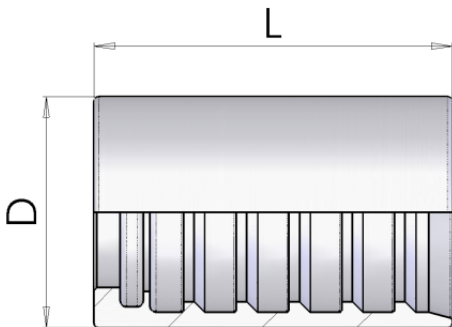
## 0002



### Swaged Ferrule (skive)

Part number	Hose I.D.		Dimensions		Skive Length
			D	L	
	in	mm			
0002-03	3/16	4.8	20	27	21
0002-04	1/4	6.4	21	30	22
0002-05	5/16	7.9	24	30	22
0002-06	3/8	9.5	25.4	32	24
0002-08	1/2	12.7	30	34	25
0002-10	5/8	15.9	34	37	27
0002-12	3/4	19	38	43	31
0002-16	1	25.4	46	50	37
0002-20	1.1/4	31.8	56	59	43
0002-24	1.1/2	38.1	62	63	45
0002-32	2	50.8	75	79	61
0002-40	2.1/2	63,5	95	837	63
0002-48	3	76,2	1056	943	78

## 003T

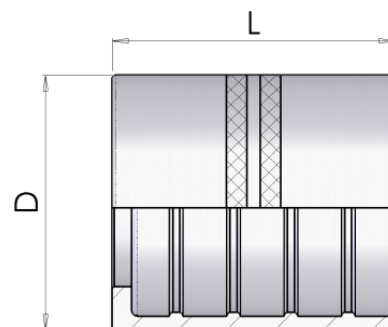


### Swaged Ferrule (no skive)

Part number	Hose I.D.		Dimensions		Skive Length
			D	L	
	in	mm			
003T-08	1/2	12.7	31	325	NO
003T-10	5/8	15.9	34	34	NO

## 0003

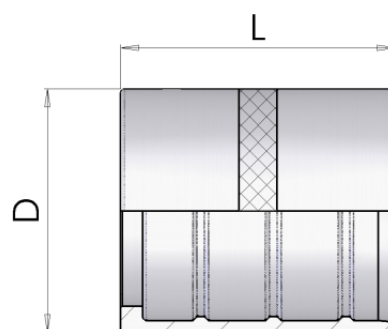
### Swaged Ferrule (no skive)



Part number	Hose I.D.		Dimensions		Skive Length
	in	mm	D	L	
0003-03	3/16	4.8	14	27	NO
0003-04	1/4	6.4	19	29	NO
0003-05	5/16	7.9	22	30	NO
0003-06	3/8	9.5	24	31	NO
0003-08	1/2	12.7	28.5	34	NO
0003-10	5/8	15.9	32	36	NO
0003-12	3/4	19	38	42	NO
0003-16	1	25.4	46	50	NO
0003-20	1.1/4	31.8	52	57	NO

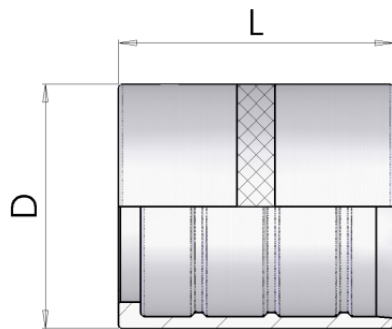
## 0007

### Swaged Ferrule (no skive)



Part number	Hose I.D.		Dimensions		Skive Length
	in	mm	D	L	
0007-03	3/16	4.8	14	27	NO
0007-04	1/4	6.4	17	29	NO
0007-05	5/16	7.9	19	30	NO
0007-06	3/8	9.5	21	31	NO
0007-08	1/2	12.7	25.4	34	NO
0007-10	5/8	15.9	28.5	36	NO
0007-12	3/4	19	32	36	NO
0007-16	1	25.4	40	50	NO

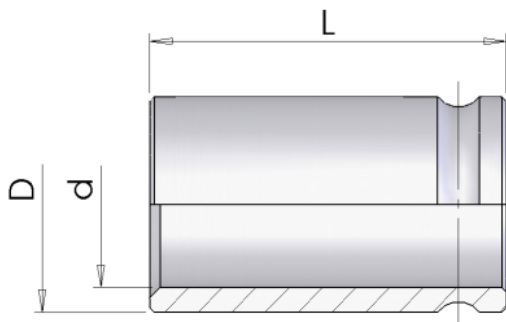
## 0008



### Swaged Ferrule (no skive)

Part number	Hose I.D.		Dimensions		Skive Length
			D	L	
	in	mm			
0008-03	3/16	4.8	13	27	NO
0008-04	1/4	6.4	17	29	NO
0008-05	5/16	7.9	19	30	NO
0008-06	3/8	9.5	21.5	31	NO
0008-08	1/2	12.7	26	34	NO
0008-10	5/8	15.9	29	40	NO
0008-12	3/4	19	32	42	NO
0008-16	1	25.4	40	50	NO

## PTFE



### Ferrule for PTFE hose

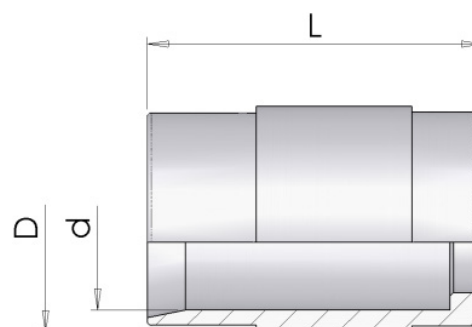
For PTFE hose type T1 - (with standard fittings)

Part number	Hose I.D.		Dimensions		Skive Length
			D	L	
	in	mm			
PTFE-03	3/16	4.8	127	22	NO
PTFE-04	1/4	6.4	144	239	NO
PTFE-05	5/16	7.9	171	246	NO
PTFE-06	3/8	9.5	19	274	NO
PTFE-08	1/2	12.7	224	287	NO
PTFE-10	5/8	15.9	27	317	NO
PTFE-12	3/4	19	287	345	NO
PTFE-16	1	25.4	381	436	NO

## PTFE-C

### Ferrule for PTFE hose

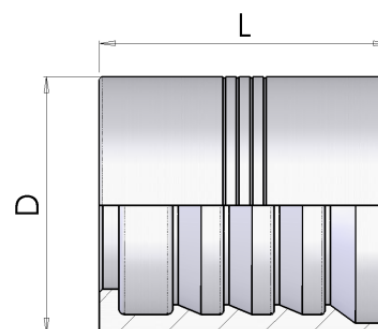
For PTFE hose type LTC - (with standard fittings)



Part number	Hose I.D.		Dimensions		Skive Length
			D	L	
	in	mm			
PTFE-04-C	1/4	6.4	178	265	NO
PTFE-06-C	3/8	9.5	20	305	NO
PTFE-08-C	1/2	12.7	24	332	NO
PTFE-10-C	5/8	15.9	292	348	NO
PTFE-12-C	3/4	19	311	409	NO
PTFE-16-C	1	25.4	385	47	NO

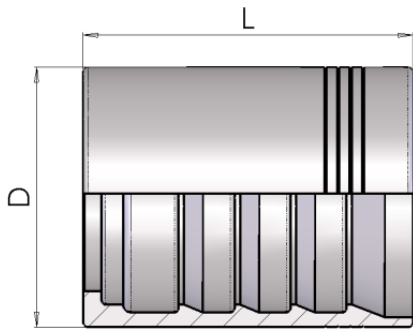
## 0009

### Swaged Ferrule (skive)



Part number	Hose I.D.		Dimensions		Skive Length
			D	L	
	in	mm			
0009-04	1/4	6.4	21	30	22
0009-06	3/8	9.5	254	335	26
0009-08	1/2	12.7	30	36	28
0009-10	5/8	15.9	34	40	31
0009-12	3/4	19	38	43	34
0009-16	1	25.4	46	60	48
0009-20	1.1/4	31.8	56	66	54
0009-24	1.1/2	38.1	67	765	62
0009-32	2	50.8	80	798	64

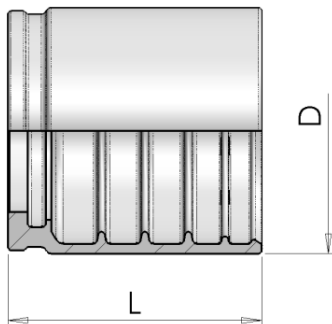
## 004H



### Swaged Ferrule (skive)

Part number	Hose I.D.		Dimensions		Skive Length
			D	L	
	in	mm			
004H-20	1.1/4	31.8	52	66	55
004H-24	1.1/2	38.1	62	765	63
004H-32	2	50.8	75	798	65

## BMC1

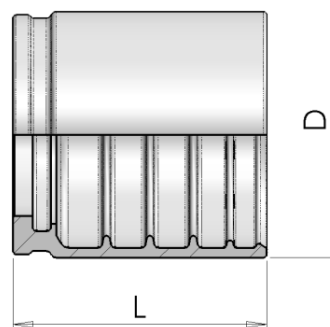


### Swaged Ferrule (no skive)

Part number	Hose I.D.		Dimensions		Skive Length
			D	L	
	in	mm			
BMC1-12	3/4	19	45	41	NO
BMC1-16	1	25.4	535	56	NO
BMC1-20	1.1/4	31.8	62	62	NO

## BMC2

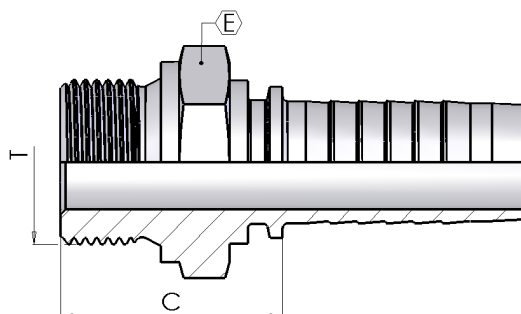
### Swaged Ferrule (no skive)



Part number	Hose I.D.		Dimensions		Skive Length
			D	L	
	in	mm			
BMC2-20	1.1/4	31.8	66	62	NO
BMC2-24	1.1/2	38.1	73	70	NO

## 0345

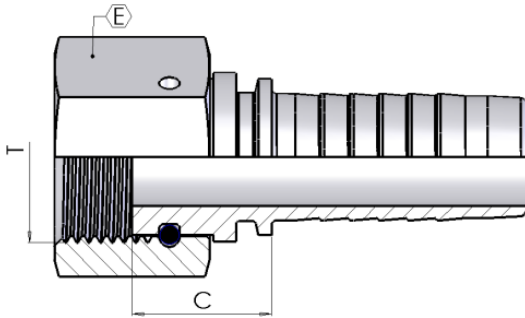
### BSP Male - Flat Seat



Part number	Hose I.D.		Dimensions			
			dash size	Thread T	Cut-Off C	Hex E
	in	mm				
0345-03-02	3/16	4.8	03	1/8-28	21	14
0345-04-04	1/4	6.4	04	1/4-19	27	19
0345-04-06	1/4	6.4	04	3/8-19	28	22
0345-05-06	5/16	7.9	05	3/8-19	28	22
0345-06-06	3/8	9.5	06	3/8-19	29	22
0345-06-08	3/8	9.5	06	1/2-14	32	27
0345-08-08	1/2	12.7	08	1/2-14	33	27
0345-08-10	1/2	12.7	08	5/8-14	35	30
0345-08-12	1/2	12.7	08	3/4-14	35	32
0345-10-10	5/8	15.9	10	5/8-14	35	30
0345-10-12	5/8	15.9	10	3/4-14	35	32
0345-12-12	3/4	19	12	3/4-14	36	32
0345-12-16	3/4	19	12	1-11	39	41
0345-16-16	1	25.4	16	1-11	40	41

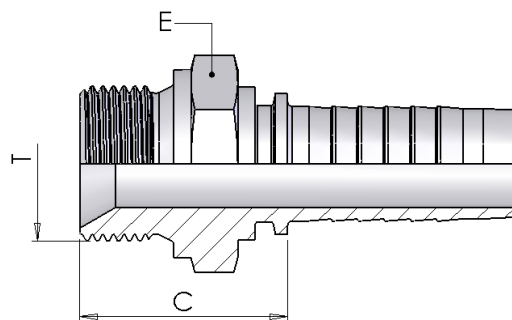
# 0060

## BSP Female Flat Seal



Part number	Hose I.D.		Dimensions			
			dash	Thread	Cut-Off	Hex
	in	mm	size	T	C	E
0060-04-04	1/4	6.4	04	1/4-19	14	19
0060-04-06	1/4	6.4	04	3/8-19	15	22
0060-05-04	5/16	7.9	05	1/4-19	14	19
0060-05-06	5/16	7.9	05	3/8-19	15	22
0060-05-08	5/16	7.9	05	1/2-14	17	27
0060-06-06	3/8	9.5	06	3/8-19	15	22
0060-06-08	3/8	9.5	06	1/2-14	16	27
0060-08-08	1/2	12.7	08	1/2-14	16	27
0060-08-10	1/2	12.7	08	5/8-14	16	30
0060-08-12	1/2	12.7	08	3/4-14	23	32
0060-10-10	5/8	15.9	10	5/8-14	16	30
0060-10-12	5/8	15.9	10	3/4-14	20	32
0060-12-12	3/4	19	12	3/4-14	21	32
0060-12-16	3/4	19	12	1-11	23	38
0060-16-16	1	25.4	16	1-11	22	38
0060-24-24	1.1/2	38.1	24	1.1/2-11	27	55

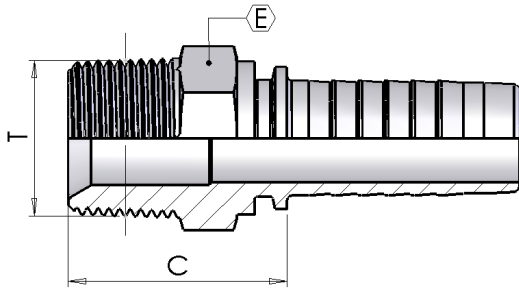
## BSP Male Parallel 60° cone



Part number	Hose I.D.		Dimensions			
			dash	Thread	Cut-Off	Hex
	in	mm	size	T	C	E
0350-03-02	3/16	4.8	03	1/8-28	21	14
0350-03-04	3/16	4.8	03	1/4-19	26	19
0350-04-02	1/4	6.4	04	1/8-28	21	14
0350-04-04	1/4	6.4	04	1/4-19	27	19
0350-04-06	1/4	6.4	04	3/8-19	28	22
0350-04-08	1/4	6.4	04	1/2-14	35	27
0350-05-04	5/16	7.9	05	1/4-19	27	19
0350-05-06	5/16	7.9	05	3/8-19	28	22
0350-05-08	5/16	7.9	05	1/2-14	32	27
0350-06-04	3/8	9.5	06	1/4-19	27	19
0350-06-06	3/8	9.5	06	3/8-19	29	22
0350-06-08	3/8	9.5	06	1/2-14	32	27
0350-08-06	1/2	12.7	08	3/8-19	29	22
0350-08-08	1/2	12.7	08	1/2-14	33	27
0350-08-10	1/2	12.7	08	5/8-14	34	30
0350-08-12	1/2	12.7	08	3/4-14	35	32
0350-10-08	5/8	15.9	10	1/2-14	33	27
0350-10-10	5/8	15.9	10	5/8-14	35	30
0350-10-12	5/8	15.9	10	3/4-14	35	32
0350-12-12	3/4	19	12	3/4-14	36	32
0350-12-16	3/4	19	12	1-11	39	41
0350-16-16	1	25.4	16	1-11	40	41
0350-16-20	1	25.4	16	1.1/4-11	44	50
0350-20-16	1.1/4	31.8	20	1-11	41	41
0350-20-20	1.1/4	31.8	20	1.1/4-11	45	50
0350-20-24	1.1/4	31.8	20	1.1/2-11	46	55
0350-24-24	1.1/2	38.1	24	1.1/2-11	46	55
0350-24-32	1.1/2	38.1	24	2-11	54	70
0350-32-24	2	50.8	32	1.1/2-11	50	65
0350-32-32	2	50.8	32	2-11	54	70

# 0360

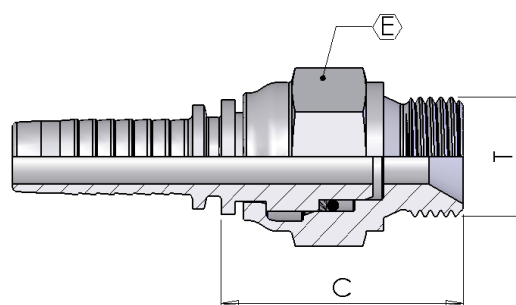
## BSP Taper Male 60° cone



Part number	Hose I.D.		Dimensions			
			dash	Thread	Cut-Off	Hex
	in	mm	size	T	C	E
0360-03-02	3/16	4.8	03	1/8-28	21	12
0360-03-04	3/16	4.8	03	1/4-19	27	15
0360-04-02	1/4	6.4	04	1/8-28	22	12
0360-04-04	1/4	6.4	04	1/4-19	28	15
0360-04-06	1/4	6.4	04	3/8-19	28	19
0360-05-04	5/16	7.9	05	1/4-19	28	15
0360-05-06	5/16	7.9	05	3/8-19	28	19
0360-06-04	3/8	9.5	06	1/4-19	28	17
0360-06-06	3/8	9.5	06	3/8-19	28	19
0360-06-08	3/8	9.5	06	1/2-14	33	22
0360-08-06	1/2	12.7	08	3/8-19	29	19
0360-08-08	1/2	12.7	08	1/2-14	34	22
0360-08-12	1/2	12.7	08	3/4-14	36	27
0360-10-08	5/8	15.9	10	1/2-14	34	22
0360-10-10	5/8	15.9	10	5/8-14	35	24
0360-10-12	5/8	15.9	10	3/4-14	36	27
0360-12-12	3/4	19	12	3/4-14	37	27
0360-12-16	3/4	19	12	1-11	43	36
0360-16-16	1	25.4	16	1-11	44	36
0360-16-20	1	25.4	16	1.1/4-11	46	46
0360-20-20	1.1/4	31.8	20	1.1/4-11	47	46
0360-20-24	1.1/4	31.8	20	1.1/2-11	49	50
0360-24-24	1.1/2	38.1	24	1.1/2-11	49	50
0360-24-32	1.1/2	38.1	24	2-11	55	65
0360-32-32	2	50.8	32	2-11	55	65

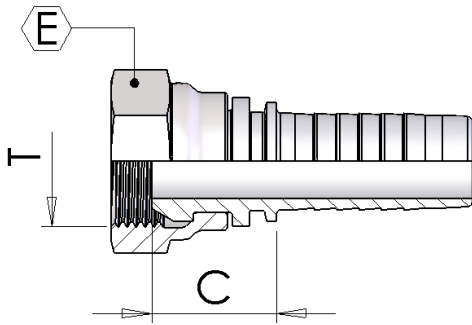
## 035G

## BSP Male Parallel 60° Cone - Rotating



Part number	Hose I.D.		Dimensions			
			dash size	Thread T	Cut-Off C	Hex E
035G-04-04	1/4	6.4	04	1/4-19	37	19
035G-06-06	3/8	9.5	06	3/8-19	43	22
035G-08-08	1/2	12.7	08	1/2-14	47	27
035G-12-12	3/4	19	12	3/4-14	52	32

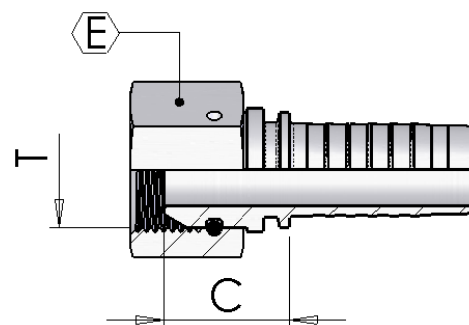
# 0051



## BSP Female 60° Cone - Rolled Nut

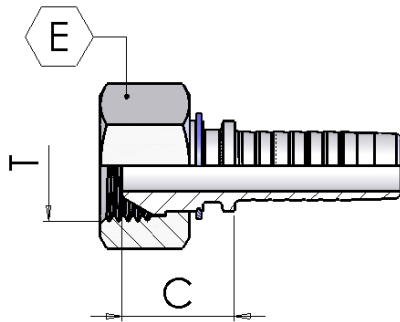
Part number	Hose I.D.	Dimensions		
		dash size	Hex E	Cut-Off C
0051-03-02	3/16	03	14	15
0051-03-04	3/16	03	19	17
0051-04-02	1/4	04	14	15
0051-04-04	1/4	04	19	17
0051-04-06	1/4	04	22	19
0051-04-08	1/4	04	27	22
0051-05-04	5/16	05	19	17
0051-05-06	5/16	05	22	19
0051-05-08	5/16	05	27	22
0051-06-04	3/8	06	19	17
0051-06-06	3/8	06	22	19
0051-06-08	3/8	06	27	22
0051-08-06	1/2	08	22	20
0051-08-08	1/2	08	27	23
0051-08-10	1/2	08	30	20
0051-08-12	1/2	08	32	27
0051-10-08	5/8	10	27	23
0051-10-10	5/8	10	30	20
0051-10-12	5/8	10	32	25
0051-12-08	3/4	12	27	24
0051-12-12	3/4	12	32	25
0051-12-16	3/4	12	38	26
0051-16-12	1	16	32	27
0051-16-16	1	16	38	27

## BSP Female 60° cone Thrust Wire



Part number	Hose I.D.	Dimensions		
		dash size	Hex E	Cut-Off C
0050-03-02	3/16	03	14	15
0050-03-04	3/16	03	19	17
0050-04-02	1/4	04	14	15
0050-04-04	1/4	04	19	17
0050-04-06	1/4	04	22	19
0050-04-08	1/4	04	27	22
0050-05-04	5/16	05	19	17
0050-05-06	5/16	05	22	19
0050-05-08	5/16	05	27	22
0050-06-04	3/8	06	19	17
0050-06-06	3/8	06	22	19
0050-06-08	3/8	06	27	22
0050-08-06	1/2	08	22	20
0050-08-08	1/2	08	27	23
0050-08-10	1/2	08	30	20
0050-08-12	1/2	08	32	27
0050-10-08	5/8	10	27	23
0050-10-10	5/8	10	30	20
0050-10-12	5/8	10	32	25
0050-12-08	3/4	12	27	24
0050-12-12	3/4	12	32	25
0050-12-16	3/4	12	38	26
0050-16-12	1	16	32	27
0050-16-16	1	16	38	27
0050-16-20	1	16	50	30
0050-20-20	1.1/4	20	50	32
0050-20-24	1.1/4	20	55	34
0050-24-24	1.1/2	24	55	34
0050-24-32	1.1/2	24	70	34
0050-32-32	2	32	70	31
0050-40-40	2.1/2	40	85	41
0050-48-48	3	48	100	45

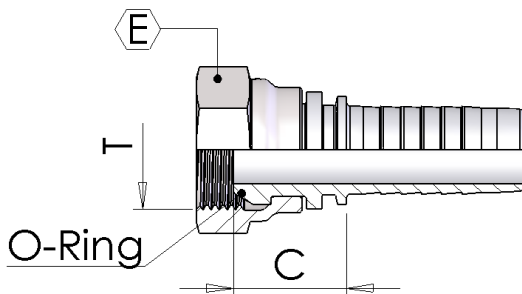
## 0058



### BSP Female 60° Cone Slip On Nut

Part number	Hose I.D.	Dimensions		
		dash size	Hex E	Cut-Off C
0058-04-04	1/4	04	19	21
0058-04-06	1/4	04	22	21
0058-05-06	5/16	05	22	21
0058-06-06	3/8	06	22	21
0058-06-08	3/8	06	27	23
0058-08-08	1/2	08	27	23

## 0041

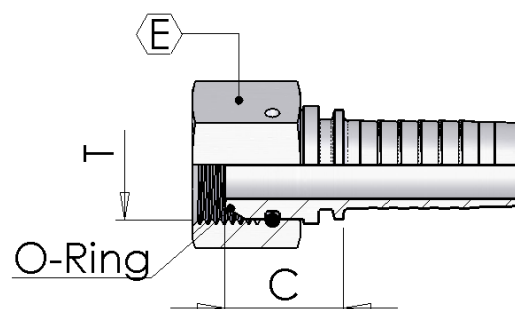


### BSP O'Ring Female 60° Cone-Rolled Nut

Part number	Hose I.D.	Dimensions		
		dash size	Hex E	Cut-Off C
0041-04-04	1/4	04	19	17
0041-06-06	3/8	06	22	19
0041-08-08	1/2	08	27	21
0041-10-10	5/8	10	30	21
0041-12-12	3/4	12	32	26
0041-16-16	1	16	38	28

## 0040

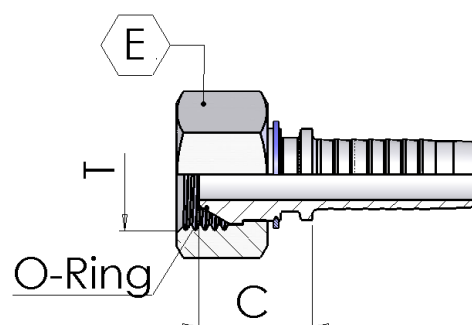
### BSP O'Ring Female 60° Cone-Thrust wire Nut



Part number	Hose I.D.	Dimensions		
		dash size	Hex E	Cut-Off C
0040-10-10	5/8	10	30	21
0040-12-12	3/4	12	32	26
0040-16-16	1	16	38	28

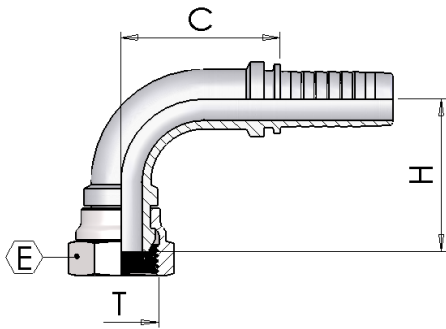
## 0048

### BSP O'Ring Female 60° Cone - Slip on nut



Part number	Hose I.D.	Dimensions		
		dash size	Hex E	Cut-Off C
0048-04-04	1/4	04	19	22
0048-04-06	1/4	04	22	20
0048-05-06	5/16	05	22	20
0048-06-06	3/8	06	22	20
0048-06-08	3/8	06	27	23
0048-08-08	1/2	08	27	23

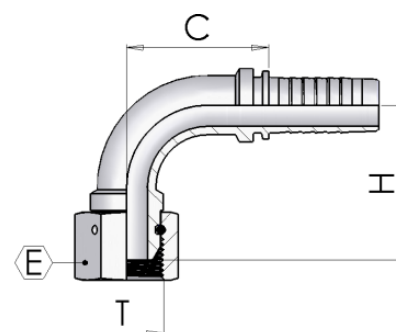
# 0151



## BSP 90° Swept Elbow 60° Cone - Rolled Nut

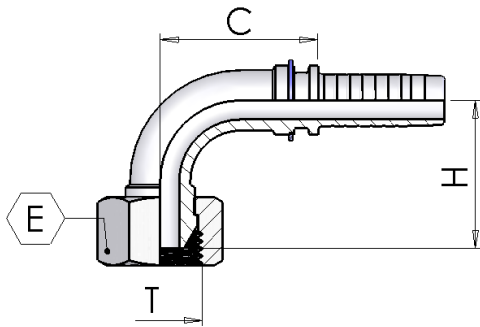
Part number	Hose I.D.	Dimensions				
		dash size	Thread T	C	Hex E	Drop H
0151-03-02	3/16	03	1/8-28	22	14	23
0151-03-04	3/16	03	1/4-19	22	19	25
0151-04-02	1/4	04	1/8-28	25	14	25
0151-04-04	1/4	04	1/4-19	25	19	27
0151-04-06	1/4	04	3/8-19	25	22	31
0151-05-04	5/16	05	1/4-19	31	19	31
0151-05-06	5/16	05	3/8-19	29	22	36
0151-06-04	3/8	06	1/4-19	31	19	33
0151-06-06	3/8	06	3/8-19	33	22	35
0151-06-08	3/8	06	1/2-14	31	27	40
0151-08-06	1/2	08	3/8-19	39	22	42
0151-08-08	1/2	08	1/2-14	39	27	41
0151-08-10	1/2	08	5/8-14	40	30	41
0151-08-12	1/2	08	3/4-14	41	32	46
0151-10-10	5/8	10	5/8-14	43	30	43
0151-10-12	5/8	10	3/4-14	45	32	50
0151-12-12	3/4	12	3/4-14	56	32	57
0151-12-16	3/4	12	1-11	56	38	60
0151-16-16	1	16	1-11	70	38	67

## BSP 90° Swept Elbow 60° cone Thrust Wire



Part number	Hose I.D.		Dimensions				
			dash	Thread	Cut-Off	Hex	Drop
	in	mm	size	T	C	E	H
0150-03-02	3/16	4.8	03	1/8-28	22	14	23
0150-03-04	3/16	4.8	03	1/4-19	22	19	25
0150-04-02	1/4	6.4	04	1/8-28	25	14	25
0150-04-04	1/4	6.4	04	1/4-19	25	19	27
0150-04-06	1/4	6.4	04	3/8-19	25	22	31
0150-05-04	5/16	7.9	05	1/4-19	31	19	31
0150-05-06	5/16	7.9	05	3/8-19	29	22	36
0150-06-04	3/8	9.5	06	1/4-19	31	19	33
0150-06-06	3/8	9.5	06	3/8-19	33	22	35
0150-06-08	3/8	9.5	06	1/2-14	31	27	40
0150-08-06	1/2	12.7	08	3/8-19	39	22	42
0150-08-08	1/2	12.7	08	1/2-14	39	27	41
0150-08-10	1/2	12.7	08	5/8-14	40	30	41
0150-08-12	1/2	12.7	08	3/4-14	41	32	46
0150-10-10	5/8	15.9	10	5/8-14	44	30	43
0150-10-12	5/8	15.9	10	3/4-14	45	32	50
0150-12-12	3/4	19	12	3/4-14	56	32	57
0150-12-16	3/4	19	12	1-11	56	38	60
0150S16-12	1	25.4	16	3/4-14	57	32	68
0150-16-16	1	25.4	16	1-11	70	38	67
0150S16-20	1	25.4	16	1.1/4-11	62	50	72
0150-20-20	1.1/4	31.8	20	1.1/4-11	86	50	81
0150S20-24	1.1/4	31.8	20	1.1/2-11	81	55	89
0150-24-24	1.1/2	38.1	24	1.1/2-11	103	55	95
0150S24-32	1.1/2	38.1	24	2-11	102	70	113
0150-32-32	2	50.8	32	2-11	122	70	135

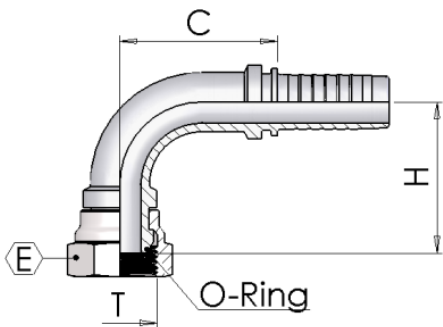
# 0158



## BSP 90° Swept elbow 60° cone Slip On Nut

Part number	Hose I.D.	Dimensions				
		dash size	Thread T	C	Hex E	Drop H
0158-04-04	1/4	04	1/4-19	27	19	21
0158-04-06	1/4	04	3/8-19	27	22	24
0158-05-06	5/16	05	3/8-19	31	22	29
0158-06-06	3/8	06	3/8-19	33	22	29
0158-06-08	3/8	06	1/2-14	33	27	31
0158-08-08	1/2	08	1/2-14	42	27	35

# 0141

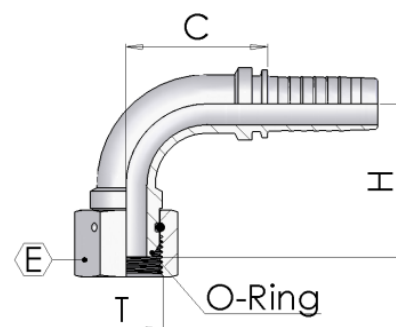


## BSP O'Ring 90° Swept elbow 60° cone- Rolled Nut

Part number	Hose I.D.	Dimensions				
		dash size	Thread T	C	Hex E	Drop H
0141-04-04	1/4	04	1/4-19	25	19	27
0141-06-06	3/8	06	3/8-19	33	22	34
0141-08-08	1/2	08	1/2-14	41	27	40
0141-10-10	5/8	10	5/8-14	43	30	55
0141-12-12	3/4	12	3/4-14	56	32	54
0141-16-16	1	16	1-11	70	38	67

## 0140

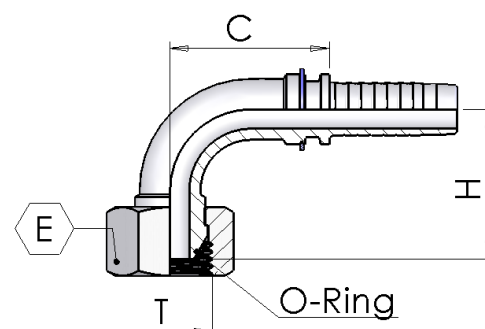
### BSP O'Ring 90° Swept elbow 60° cone- Thrust Wire Nut



Part number	Hose I.D.	Dimensions				
		dash	Thread		Hex	Drop
	in	size	T	C	E	H
0140-10-10	5/8	10	5/8-14	44	30	43
0140-12-12	3/4	12	3/4-14	56	32	54
0140-16-16	1	16	1-11	70	38	67

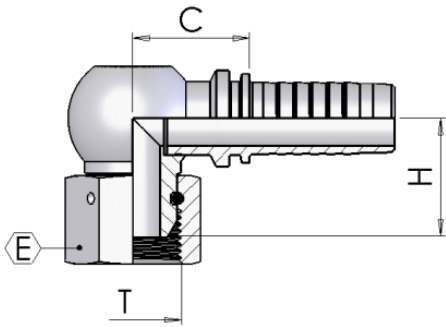
## 0148

### BSP O'Ring 90° Swept elbow 60° cone- Slip on nut



Part number	Hose I.D.	Dimensions				
		dash	Thread		Hex	Drop
	in	size	T	C	E	H
0148-04-04	1/4	04	1/4-19	27	19	22
0148-04-06	1/4	04	3/8-19	27	22	23
0148-05-06	5/16	05	3/8-19	31	22	28
0148-06-06	3/8	06	3/8-19	33	22	28
0148-06-08	3/8	06	1/2-14	33	27	30
0148-08-08	1/2	08	1/2-14	42	27	35

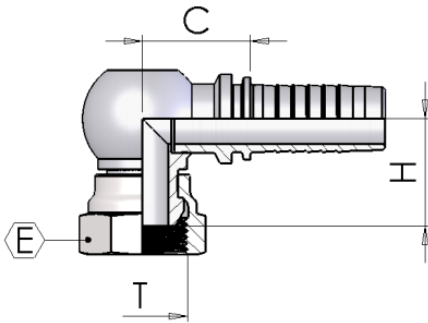
## 2300



### BSP 90° Compact Elbow 60° Cone - Thrust wire - Welded

Part number	Hose I.D.	Dimensions				
		dash size	Thread T	C	Hex E	Drop H
2300-03-02	3/16	03	1/8-28	17	14	16
2300-10-10	5/8	10	5/8-14	28	30	27
2300-10-12	5/8	10	3/4-14	29	32	32
2300-20-20	1.1/4	20	1.1/4-11	47	50	46

## 2301

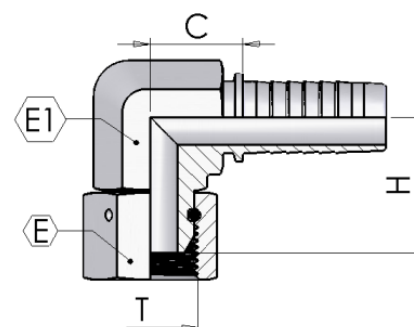


### BSP 90° Compact Elbow 60° Cone - Rolled nut - Welded

Part number	Hose I.D.	Dimensions				
		dash size	Thread T	C	Hex E	Drop H
2301-03-02	3/16	03	1/8-28	17	14	16
2301-10-10	5/8	10	5/8-14	28	30	27
2301-10-12	5/8	10	3/4-14	29	32	32

## 2320

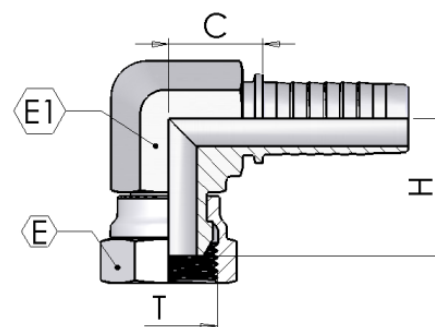
### BSP 90° Compact Elbow 60° Cone - Thrust wire



Part number	Hose I.D.	Dimensions					
		dash size	Thread T	C	Hex E	E1	Drop H
2320-04-04	1/4	04	1/4-19	19	19	15	20
2320-04-06	1/4	04	3/8-19	24	22	17	29
2320-05-06	5/16	05	3/8-19	24	22	17	23
2320-06-06	3/8	06	3/8-19	23	22	17	23
2320-06-08	3/8	06	1/2-14	28	27	19	26
2320-08-08	1/2	08	1/2-14	26	27	22	27
2320-12-12	3/4	12	3/4-14	32	32	27	32
2320-16-16	1	16	1-11	38	38	32	36

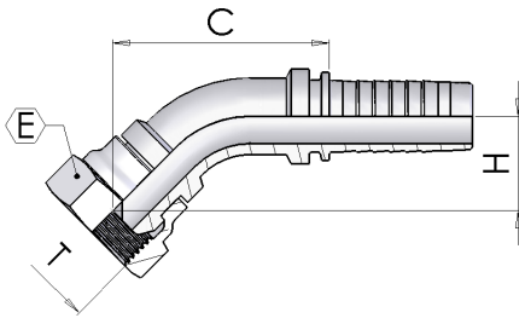
## 2321

### BSP 90° Compact Elbow 60° Cone - Rolled nut



Part number	Hose I.D.	Dimensions					
		dash size	Thread T	C	Hex E	E1	Drop H
2321-04-04	1/4	04	1/4-19	19	19	15	20
2321-04-06	1/4	04	3/8-19	24	22	17	29
2321-05-06	5/16	05	3/8-19	24	22	17	23
2321-06-06	3/8	06	3/8-19	23	22	17	23
2321-06-08	3/8	06	1/2-14	28	27	19	26
2321-08-08	1/2	08	1/2-14	26	27	22	27
2321-12-12	3/4	12	3/4-14	32	32	27	32
2321-16-16	1	16	1-11	38	38	32	36

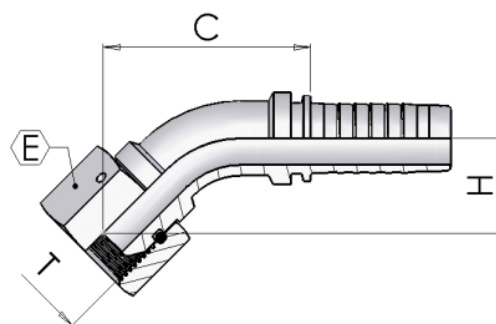
# 0251



## BSP 45° Swept Elbow 60° Cone - Rolled nut

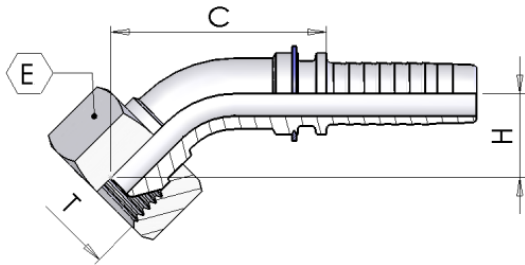
Part number	Hose I.D.	Dimensions				
		dash size	Thread T	C	Hex E	Drop H
0251-03-02	3/16	03	1/8-28	33	14	15
0251-03-04	3/16	03	1/4-19	35	19	15
0251-04-02	1/4	04	1/8-28	40	14	14
0251-04-04	1/4	04	1/4-19	41	19	15
0251-05-04	5/16	05	1/4-19	47	19	16
0251-05-06	5/16	05	3/8-19	51	22	19
0251-06-04	3/8	06	1/4-19	50	19	16
0251-06-06	3/8	06	3/8-19	52	22	19
0251-06-08	3/8	06	1/2-14	55	27	21
0251-08-06	1/2	08	3/8-19	63	22	22
0251-08-08	1/2	08	1/2-12	65	27	24
0251-08-10	1/2	08	5/8-14	64	30	21
0251-08-12	1/2	08	3/4-14	67	32	26
0251-10-08	5/8	10	1/2-14	68	27	24
0251-10-10	5/8	10	5/8-14	68	30	23
0251-10-12	5/8	10	3/4-14	72	32	27
0251-12-12	3/4	12	3/4-14	86	32	30
0251-12-16	3/4	12	1-11	88	38	32
0251-16-16	1	16	1-11	107	38	35

## BSP 45° Swept Elbow 60° Cone - Thrust Wire Nut



Part number	Hose I.D.	Dimensions				
		dash	Thread		Hex	Drop
	in	size	T	C	E	H
0250-03-02	3/16	03	1/8-28	33	14	15
0250-03-04	3/16	03	1/4-19	35	19	15
0250-04-02	1/4	04	1/8-28	40	14	14
0250-04-04	1/4	04	1/4-19	41	19	15
0250-04-06	1/4	04	3/8-19	44	22	18
0250-05-04	5/16	05	1/4-19	47	19	16
0250-05-06	5/16	05	3/8-19	51	22	19
0250-06-04	3/8	06	1/4-19	50	19	16
0250-06-06	3/8	06	3/8-19	52	22	19
0250-06-08	3/8	06	1/2-14	55	27	21
0250-08-06	1/2	08	3/8-19	63	22	22
0250-08-08	1/2	08	1/2-14	65	27	24
0250-10-10	5/8	10	5/8-14	68	30	23
0250-10-12	5/8	10	3/4-14	72	32	27
0250-12-12	3/4	12	3/4-14	86	32	30
0250-12-16	3/4	12	1-11	88	38	32
0250-16-16	1	16	1-11	107	38	35
0250S16-20	1	16	1.1/4-11	70	50	33
0250-20-20	1.1/4	20	1.1/4-11	107	50	40
0250S20-24	1.1/4	20	1.1/2-11	91	55	41
0250-24-24	1.1/2	24	1.1/2-11	117	55	47
0250-32-32	2	32	2-11	142	70	65

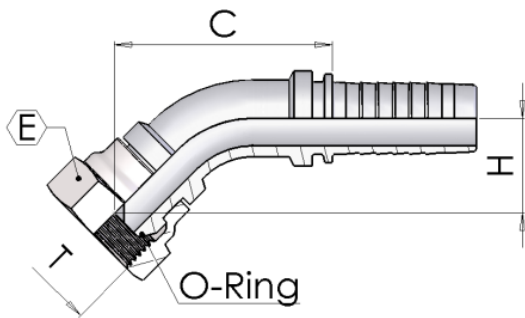
## 0258



### BSP 45° Swept Elbow 60° Cone - Slipe on nut

Part number	Hose I.D.	Dimensions				
		dash size	Thread T	C	Hex E	Drop H
0258-04-04	1/4	04	1/4-19	41	19	15
0258-04-06	1/4	04	3/8-19	41	22	16
0258-05-06	5/16	05	3/8-19	45	22	17
0258-06-06	3/8	06	3/8-19	47	22	17
0258-06-08	3/8	06	1/2-14	47	27	18
0258-08-08	1/2	08	1/2-14	61	27	19

## 0241

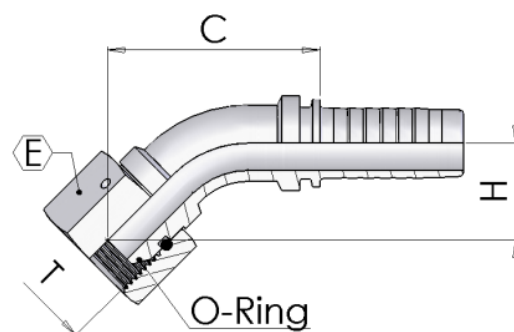


### BSP O'Ring 45° Swept Elbow 60° Cone - Rolled nut

Part number	Hose I.D.	Dimensions				
		dash size	Thread T	C	Hex E	Drop H
0241-04-04	1/4	04	1/4-19	41	19	15
0241-06-06	3/8	06	3/8-19	52	22	21
0241-08-08	1/2	08	1/2-14	63	27	22
0241-10-10	5/8	10	5/8-14	68	30	23
0241-12-12	3/4	12	3/4-14	88	32	28
0241-16-16	1	16	1-11	83	38	32

## 0240

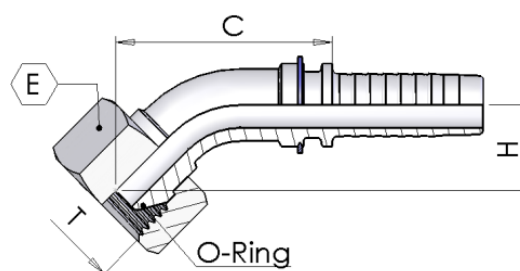
### BSP O'Ring 45° Swept Elbow 60° Cone - Thrust Wire Nut



Part number	Hose I.D.	Dimensions				
		dash	Thread		Hex	Drop
	in	size	T	C	E	H
0240-10-10	5/8	10	5/8-14	68	30	23
0240-12-12	3/4	12	3/4-14	88	32	28
0240-16-16	1	16	1-11	83	38	32

## 0248

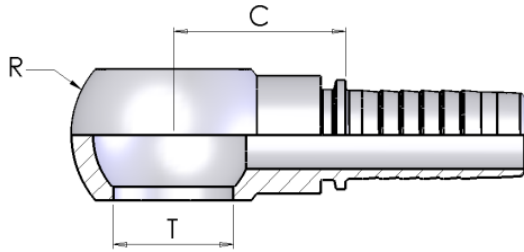
### BSP O'Ring 45° Swept Elbow 60° Cone - Slip on nut



Part number	Hose I.D.	Dimensions				
		dash	Thread		Hex	Drop
	in	size	T	C	E	H
0248-04-04	1/4	04	1/4-19	41	19	15
0248-04-06	1/4	04	3/8-19	41	22	15
0248-05-06	5/16	05	3/8-19	45	22	15
0248-06-06	3/8	06	3/8-19	47	22	15
0248-06-08	3/8	06	1/2-14	47	27	17
0248-08-08	1/2	08	1/2-14	61	27	19

# 1400

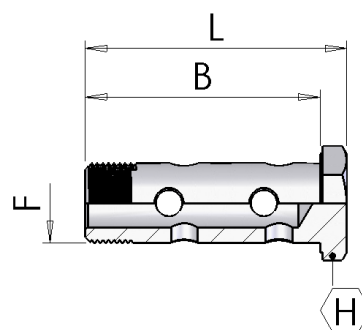
## BSP Banjo



Part number	Hose I.D.		Dimensions			
			dash		Cut-Off	
	in	mm	size	mm	C	R
1400-03-02	3/16	4.8	03	10.2	19	17
1400-03-04	3/16	4.8	03	13.3	26	24
1400-04-02	1/4	6.4	04	10.2	25	17
1400-04-04	1/4	6.4	04	13.3	26	24
1400-04-06	1/4	6.4	04	17	26	28
1400-05-04	5/16	7.9	05	13.3	26	24
1400-05-06	5/16	7.9	05	17	26	28
1400-06-04	3/8	9.5	06	13.3	26	24
1400-06-06	3/8	9.5	06	17	26	28
1400-06-08	3/8	9.5	06	21.2	31	36
1400-08-06	1/2	12.7	08	17	27	28
1400-08-08	1/2	12.7	08	21.2	31	36
1400-08-10	1/2	12.7	08	23.1	29	38
1400-08-12	1/2	12.7	08	26.5	38	45
1400-10-10	5/8	15.9	10	23.1	29	39
1400-10-12	5/8	15.9	10	26.5	38	45
1400-12-12	3/4	19	12	26.5	38	45
1400-12-16	3/4	19	12	33.5	49	58
1400-16-16	1	25.4	16	33.5	50	58

# 1600

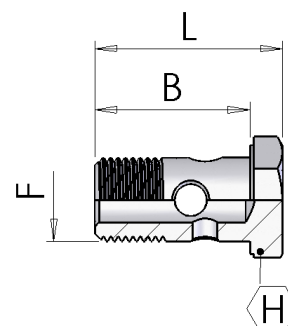
## Double BSP Perfored Bolt



Part number	Dimensions			
	B	F	L	Drop H
1600-04-04	43	1/4-19	49	19
1600-06-06	49	3/8-19	57	22
1600-08-08	62	1/2-14	70	27
1600-12-12	78	3/4-14	87	32
1600-16-16	98	1-11	109	41

# 1600-00

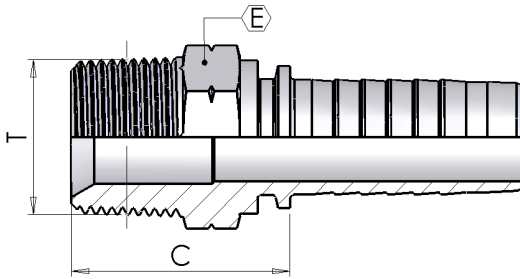
## BSP Perfored Bolt



Part number	Dimensions			
	B	F	L	Drop H
1600-00-02	19	1/8-28	24	14
1600-00-04	29	1/4-19	34	19
1600-00-06	33	3/8-19	41	22
1600-00-08	38	1/2-14	46	27
1600-00-10	44	5/8-14	54	30
1600-00-12	47	3/4-14	56	32
1600-00-16	58	1-11	69	41

# 0370

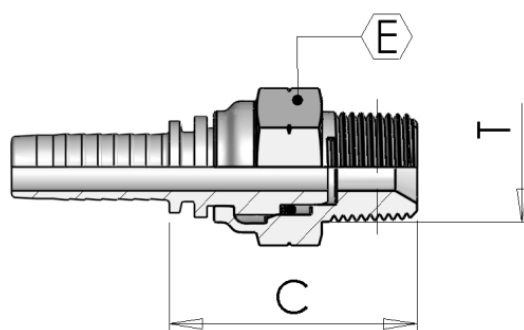
## NPTF Male 60° cone



Part number	Hose I.D.		Dimensions			
			dash	Thread	Cut-Off	Hex
	in	mm	size	T	C	E
0370-03-02	3/16	4.8	03	1/8-27	22	12
0370-03-04	3/16	4.8	03	1/4-18	27	15
0370-04-02	1/4	6.4	04	1/8-27	22	12
0370-04-04	1/4	6.4	04	1/4-18	28	15
0370-04-06	1/4	6.4	04	3/8-18	28	19
0370-05-04	5/16	7.9	05	1/4-18	28	15
0370-05-06	5/16	7.9	05	3/8-18	28	19
0370-05-08	5/16	7.9	05	1/2-14	34	22
0370-06-04	3/8	9.5	06	1/4-18	28	17
0370-06-06	3/8	9.5	06	3/8-18	28	19
0370-06-08	3/8	9.5	06	1/2-14	34	22
0370-08-06	1/2	12.7	08	3/8-18	29	19
0370-08-08	1/2	12.7	08	1/2-14	35	22
0370-08-12	1/2	12.7	08	3/4-14	36	27
0370-10-08	5/8	15.9	10	1/2-14	35	24
0370-10-12	5/8	15.9	10	3/4-14	36	27
0370-12-08	3/4	19	12	1/2-14	36	24
0370-12-12	3/4	19	12	3/4-14	37	27
0370-12-16	3/4	19	12	1-11.1/2	43	36
0370-16-16	1	25.4	16	1-11.1/2	44	36
0370-16-20	1	25.4	16	1.1/4-11.1/2	46	46
0370-20-16	1.1/4	31.8	20	1-11.1/2	45	41
0370-20-20	1.1/4	31.8	20	1.1/4-11.1/2	47	46
0370-24-24	1.1/2	38.1	24	1.1/2-11.1/2	49	50
0370-32-32	2	50.8	32	2-11.1/2	55	65
0370-40-40	2.1/2	63,5	40	2.1/2-8	55	80
0370-48-48	3	76,2	48	3-8	58	90

## 037G

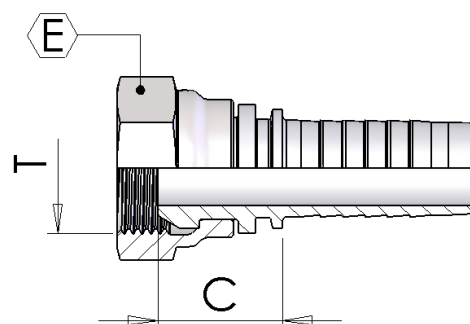
### NPTF Male Parallel 60° Cone - Rotating



Part number	Hose I.D.		Dimensions			
			dash	Thread	Cut-Off	Hex
	in	mm	size	T	C	E
037G-04-04	1/4	6.4	04	1/4-18	39	19
037G-06-06	3/8	9.5	06	3/8-18	43	22
037G-08-08	1/2	12.7	08	1/2-14	49	27
037G-12-12	3/4	19	12	3/4-14	52	32

## N051

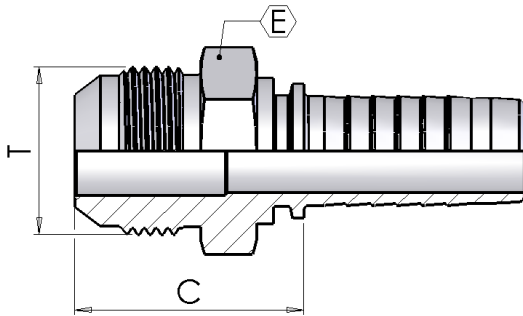
### NPSM Female 60° Cone Rolled Nut



Part number	Hose I.D.		Dimensions			
			dash	Thread	Cut-Off	Hex
	in	mm	size	T	C	E
N051-03-04	3/16	4.8	03	1/4-18	17	19
N051-04-04	1/4	6.4	04	1/4-18	17	19
N051-06-06	3/8	9.5	06	3/8-18	19	22
N051-08-08	1/2	12.7	08	1/2-14	23	27

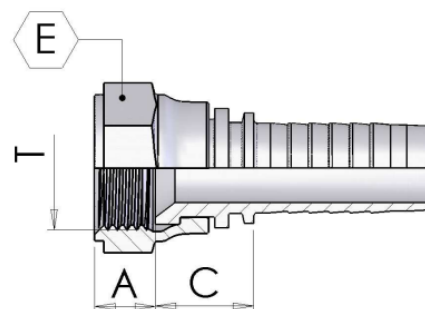
# 0850

## JIC Male 74° cone



Part number	Hose I.D.		Dimensions			
			dash	Thread	Cut-Off	Hex
	in	mm	size	T	C	E
0850-03-04	3/16	4.8	03	7/16-20	26	12
0850-04-04	1/4	6.4	04	7/16-20	27	12
0850-04-05	1/4	6.4	04	1/2-20	27	14
0850-04-06	1/4	6.4	04	9/16-18	27	15
0850-05-05	5/16	7.9	05	1/2-20	27	14
0850-05-06	5/16	7.9	05	9/16-18	27	15
0850-05-08	5/16	7.9	05	3/4-16	30	19
0850-06-06	3/8	9.5	06	9/16-18	27	15
0850-06-07	3/8	9.5	06	5/8-18	30	17
0850-06-08	3/8	9.5	06	3/4-16	30	19
0850-06-10	3/8	9.5	06	7/8-14	34	24
0850-08-06	1/2	12.7	08	9/16-18	28	19
0850-08-08	1/2	12.7	08	3/4-16	31	19
0850-08-10	1/2	12.7	08	7/8-14	35	24
0850-08-12	1/2	12.7	08	1.1/16-12	37	27
0850-10-10	5/8	15.9	10	7/8-14	35	24
0850-10-12	5/8	15.9	10	1.1/16-12	37	27
0850-12-10	3/4	19	12	7/8-14	36	24
0850-12-12	3/4	19	12	1.1/16-12	38	27
0850-12-14	3/4	19	12	1.3/16-12	41	32
0850-12-16	3/4	19	12	1.5/16-12	42	34
0850-12-20	3/4	19	12	1.5/8-12	45	42
0850-16-12	1	25.4	16	1.1/16-12	39	27
0850-16-14	1	25.4	16	1.3/16-12	42	32
0850-16-16	1	25.4	16	1.5/16-12	43	34
0850-16-20	1	25.4	16	1.5/8-12	46	42
0850-20-20	1.1/4	31.8	20	1.5/8-12	47	42
0850-20-24	1.1/4	31.8	20	1.7/8-12	52	50
0850-24-24	1.1/2	38.1	24	1.7/8-12	52	50
0850-32-32	2	50.8	32	2.1/2-12	62	65

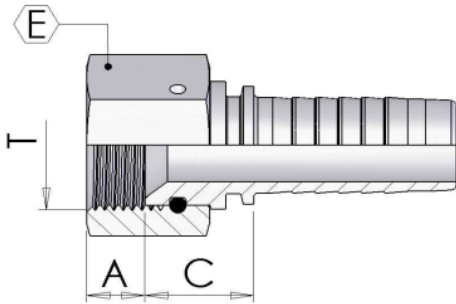
## JIC Female 74° cone - Rolled Nut



Part number	Hose I.D.		Dimensions				
			dash size	Thread T	Cut-Off C	A	Hex E
	in	mm					
0901-03-04	3/16	4.8	03	7/16-20	14	8.5	15
0901-03-05	3/16	4.8	03	1/2-20	14	9.5	17
0901-04-04	1/4	6.4	04	7/16-20	14	8.5	15
0901-04-05	1/4	6.4	04	1/2-20	15	9.5	17
0901-04-06	1/4	6.4	04	9/16-18	16	9	19
0901-04-07	1/4	6.4	04	5/8-18	17	11	22
0901-05-05	5/16	7.9	05	1/2-20	17	9.5	17
0901-05-06	5/16	7.9	05	9/16-18	16	9	19
0901-05-07	5/16	7.9	05	5/8-18	17	11	22
0901-05-08	5/16	7.9	05	3/4-16	17	10.5	24
0901-06-04	3/8	9.5	06	7/16-20	15	9	15
0901-06-05	3/8	9.5	06	1/2-20	15	9.5	17
0901-06-06	3/8	9.5	06	9/16-18	16	9	19
0901-06-07	3/8	9.5	06	5/8-18	16	11	22
0901-06-08	3/8	9.5	06	3/4-16	17	10.5	24
0901-06-10	3/8	9.5	06	7/8-14	21	13	27
0901-08-08	1/2	12.7	08	3/4-16	18	10.5	24
0901-08-10	1/2	12.7	08	7/8-14	19	13	27
0901-08-12	1/2	12.7	08	1.1/16-12	24	13.5	32
0901-10-10	5/8	15.9	10	7/8-14	19	13	27
0901-10-12	5/8	15.9	10	1.1/16-12	21	13.5	32
0901-12-10	3/4	19	12	7/8-14	20	13	27
0901-12-12	3/4	19	12	1.1/16-12	22	13.5	32
0901-12-14	3/4	19	12	1.3/16-12	23	14	36
0901-12-16	3/4	19	12	1.5/16-12	23	15.5	38
0901-16-12	1	25.4	16	1.1/16-12	23	13.5	32
0901-16-16	1	25.4	16	1.5/16-12	24	15.5	38

# 0900

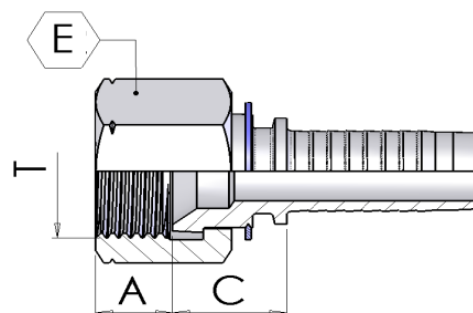
## JIC Female 74° - Thrust Wire Nut



Part number	Hose I.D.		Dimensions				
			dash	Thread	Cut-Off		Hex
	in	mm	size	T	C	A	E
0900-03-04	3/16	4.8	03	7/16-20	14	8.5	17
0900-04-04	1/4	6.4	04	7/16-20	14	8.5	17
0900-04-05	1/4	6.4	04	1/2-20	15	9.5	17
0900-04-06	1/4	6.4	04	9/16-18	16	9	19
0900-05-05	5/16	7.9	05	1/2-20	17	11	17
0900-05-06	5/16	7.9	05	9/16-18	16	9	19
0900-06-05	3/8	9.5	06	1/2-20	15	9.5	17
0900-06-06	3/8	9.5	06	9/16-18	16	9	19
0900-06-07	3/8	9.5	06	5/8-18	16	11	22
0900-06-08	3/8	9.5	06	3/4-16	17	10.5	24
0900-06-10	3/8	9.5	06	7/8-14	21	13	27
0900-08-08	1/2	12.7	08	3/4-16	18	10.5	24
0900-08-10	1/2	12.7	08	7/8-14	19	13	27
0900-08-12	1/2	12.7	08	1.1/16-12	21	13.5	32
0900-10-10	5/8	15.9	10	7/8-14	19	13	27
0900-10-12	5/8	15.9	10	1.1/16-12	21	13.5	32
0900-12-10	3/4	19	12	7/8-14	20	13	27
0900-12-12	3/4	19	12	1.1/16-12	22	13.5	32
0900-12-14	3/4	19	12	1.3/16-12	23	14	36
0900-12-16	3/4	19	12	1.5/16-12	23	15.5	41
0900-16-12	1	25.4	16	1.1/16-12	23	13.5	32
0900-16-14	1	25.4	16	1.3/16-12	24	14	36
0900-16-16	1	25.4	16	1.5/16-12	24	15.5	41
0900-16-20	1	25.4	16	1.5/8-12	27	16.5	50
0900-20-20	1.1/4	31.8	20	1.5/8-12	28	16.5	50
0900-20-24	1.1/4	31.8	20	1.7/8-12	31	19	55
0900-24-24	1.1/2	38.1	24	1.7/8-12	31	19	55
0900-32-32	2	50.8	32	2.1/2-12	31	20	70

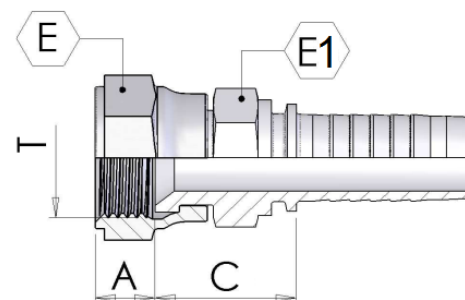
# 0902

## JIC Female 74° - Slip on nut



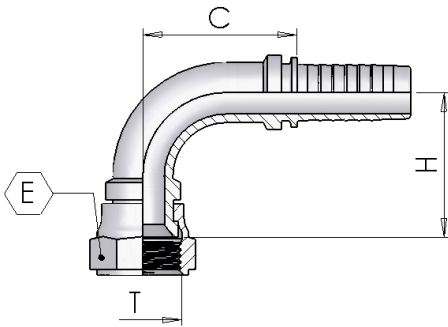
Part number	Hose I.D.		Dimensions				
			dash	Thread	Cut-Off		Hex
	in	mm	size	T	C	A	E
0902-04-05	1/4	6.4	04	1/2-20	17	9.5	17
0902-04-06	1/4	6.4	04	9/16-18	17	9	19
0902-05-06	5/16	7.9	05	9/16-18	16	9	19
0902-06-08	3/8	9.5	06	3/4-16	18	10.5	22
0902-08-10	1/2	12.7	08	7/8-14	20	13	27
0902-10-12	5/8	15.9	10	1.1/16-12	20	13.5	32
0902-12-16	3/4	19	12	1.5/16-12	21	15.5	38

# 0901D



Part number	Hose I.D.		Dimensions					
			dash	Thread			Hex	
	in	mm	size	T	A	C	E	E1
0901D04-04	1/4	6.4	04	7/16-20	8.5	20	15	12
0901D04-05	1/4	6.4	04	1/2-20	9.5	20	17	14
0901D04-06	1/4	6.4	04	9/16-18	9	22	19	14
0901D05-06	5/16	7.9	05	9/16-18	9	22	19	15
0901D06-06	3/8	9.5	06	9/16-18	9	24	19	17
0901D06-08	3/8	9.5	06	3/4-16	10.5	26	24	19
0901D08-08	1/2	12.7	08	3/4-16	10.5	26	24	22
0901D08-10	1/2	12.7	08	7/8-14	13	27	27	22
0901D10-10	5/8	15.9	10	7/8-14	13	26	27	22
0901D10-12	5/8	15.9	10	1.1/16-12	13.5	27	32	27
0901D12-12	3/4	19	12	1.1/16-12	13.5	32	32	27
0901D16-16	1	25.4	16	1.5/16-12	15.5	33	38	36

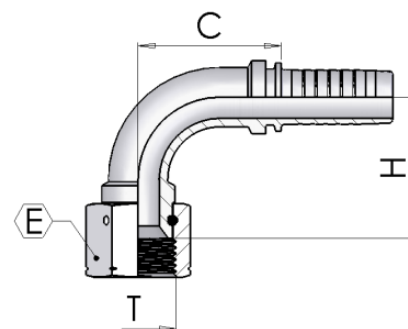
# 0951



## JIC 90° Swept Elbow 74° cone - Rolled Nut

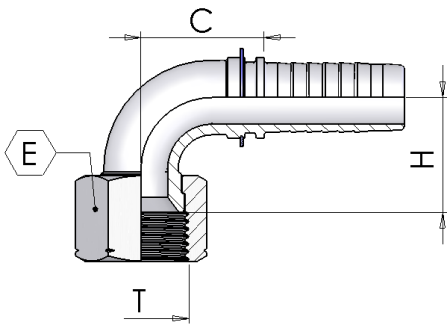
Part number	Hose I.D.	Dimensions				
		dash size	Thread T	C	Hex E	Drop H
0951-03-04	3/16	03	7/16-20	22	15	22
0951-03-05	3/16	03	1/2-20	22	17	22
0951-04-04	1/4	04	7/16-20	25	15	24
0951-04-05	1/4	04	1/2-20	25	17	25
0951-04-06	1/4	04	9/16-18	25	19	27
0951-05-05	5/16	05	1/2-20	29	17	30
0951-05-06	5/16	05	9/16-18	29	19	31
0951-06-05	3/8	06	1/2-20	33	17	30
0951-06-06	3/8	06	9/16-18	31	19	32
0951-06-07	3/8	06	5/8-18	33	22	32
0951-06-08	3/8	06	3/4-16	33	24	34
0951-06-10	3/8	06	7/8-14	33	27	36
0951-08-08	1/2	08	3/4-16	41	24	41
0951-08-10	1/2	08	7/8-14	41	27	40
0951-08-12	1/2	08	1.1/16-12	42	32	43
0951-10-10	5/8	10	7/8-14	43	27	44
0951-10-12	5/8	10	1.1/16-12	45	32	47
0951-12-10	3/4	12	7/8-14	56	27	53
0951-12-12	3/4	12	1.1/16-12	56	32	54
0951-12-14	3/4	12	1.3/16-12	57	36	53
0951-12-16	3/4	12	1.5/16-12	55	38	56
0951-16-12	1	16	1.1/16-12	70	32	63
0951-16-16	1	16	1.5/16-12	70	38	65

## JIC 90° Swept Elbow 74° cone - Thrust Wire Nut



Part number	Hose I.D.	Dimensions				
		dash	Thread		Hex	Drop
	in	size	T	C	E	H
0950-03-04	3/16	03	7/16-20	22	17	22
0950-04-04	1/4	04	7/16-20	25	17	24
0950-04-05	1/4	04	1/2-20	25	17	25
0950-04-06	1/4	04	9/16-18	25	19	27
0950-05-06	5/8	05	9/16-18	29	19	31
0950-05-08	5/8	05	3/4-16	29	24	41
0950-06-05	3/8	06	1/2-20	33	17	30
0950-06-06	3/8	06	9/16-18	31	19	32
0950-06-10	3/8	06	7/8-14	33	27	36
0950-08-08	1/2	08	3/4-16	41	24	41
0950-08-10	1/2	08	7/8-14	41	27	40
0950-08-12	1/2	08	1.1/16-12	39	32	43
0950-10-10	5/8	10	7/8-14	43	27	44
0950-10-12	5/8	10	1.1/16-12	45	32	47
0950-12-10	3/4	12	7/8-14	56	27	53
0950-12-12	3/4	12	1.1/16-12	56	32	54
0950-12-14	3/4	12	1.3/16-12	57	36	53
0950-12-16	3/4	12	1.5/16-12	55	41	56
0950-16-12	1	16	1.1/16-12	70	32	63
0950S16-14	1	16	1.3/16-12	62	36	69
0950-16-16	1	16	1.5/16-12	70	41	65
0950S16-20	1	16	1.5/8-12	62	50	69
0950-20-20	1.1/4	20	1.5/8-12	87	50	83
0950S20-24	1.1/4	24	1.7/8-12	81	55	88
0950-24-24	1.1/2	24	1.7/8-12	102	55	97
0950-32-32	2	32	2.1/2-12	124	70	134

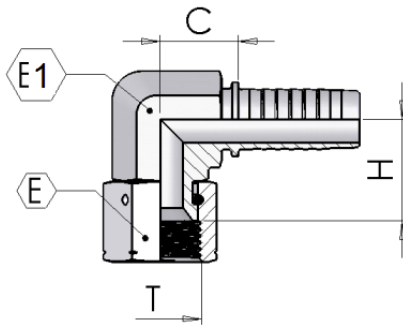
## 0952



### JIC 90° Swept Elbow 74° cone - Slip on nut

Part number	Hose I.D.	Dimensions				
		dash size	Thread T	C	Hex E	Drop H
0952-04-05	1/4	04	1/2-20	27	17	21
0952-04-06	1/4	04	9/16-18	26	19	21
0952-05-06	5/8	05	9/16-18	25	19	32
0952-06-08	3/8	06	3/4-16	35	22	26
0952-08-10	1/2	08	7/8-14	42	27	34
0952-10-12	5/8	10	1.1/16-12	47	32	37
0952-12-12	3/4	12	1.1/16-12	58	32	45
0952-12-16	3/4	12	1.5/16-12	56	38	57

## 2970

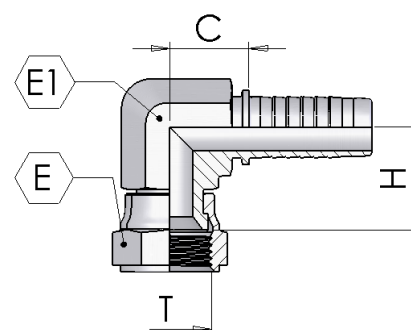


### JIC 90° Compact Elbow 74° cone - Thrust Wire Nut

Part number	Hose I.D.	Dimensions					
		dash size	Thread T	C	Hex E	E1	Drop H
2970-04-04	1/4	04	7/16-20	19	17	15	17
2970-04-05	1/4	04	1/2-20	19	17	15	18
2970-04-06	1/4	04	9/16-18	19	19	15	19
2970-05-06	5/16	05	9/16-18	20	19	17	20
2970-06-06	3/8	06	9/16-18	23	19	17	20
2970-06-07	3/8	06	5/8-18	23	22	17	21
2970-06-08	3/8	06	3/4-16	24	24	22	22
2970-08-08	1/2	08	3/4-16	26	24	22	23
2970-08-10	1/2	08	7/8-14	26	27	22	24
2970-12-12	3/4	12	1.1/16-12	32	32	27	29
2970-16-16	1	16	1.5/16-12	38	41	32	34

2971

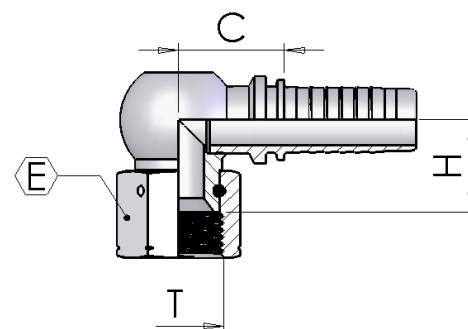
## JIC 90° Compact Elbow 74° cone - Crimped Nut



Part number	Hose I.D.	Dimensions					
		dash size	Thread T	C	Hex E	E1	Drop H
2971-04-04	1/4	04	7/16-20	19	15	15	17
2971-04-05	1/4	04	1/2-20	19	17	15	18
2971-04-06	1/4	04	9/16-18	19	19	15	19
2971-05-06	5/16	05	9/16-18	20	19	17	20
2971-06-06	3/8	06	9/16-18	23	19	17	20
2971-06-08	3/8	06	3/4-16	24	24	22	22

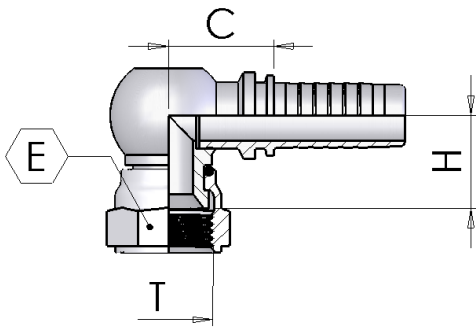
2950

## JIC 90° Compact Elbow 74° cone - Thrust Wire Nut - Welded



Part number	Hose I.D.	Dimensions				
		dash size	Thread T	C	Hex E	Drop H
2950-10-10	5/8	10	7/8-14	28	27	26
2950-10-12	5/8	10	1.1/16-12	29	32	28

# 2951

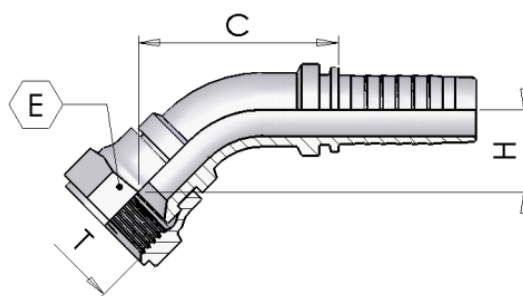


## JIC 90° Compact Elbow 74° cone - Rolled Nut - Welded

Part number	Hose I.D.	Dimensions				
		dash size	Thread T	C	Hex E	Drop H
2951-10-10	5/8	10	7/8-14	28	27	26
2951-10-12	5/8	10	1.1/16-12	29	32	28

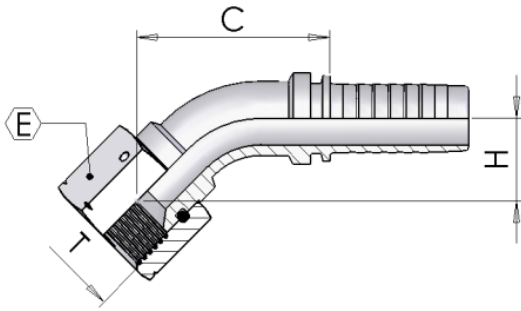
1001

## JIC 45° Swept Elbow 74° cone - Rolled Nut



Part number	Hose I.D.	Dimensions				
		dash size	Thread T	C	Hex E	Drop H
1001-03-04	3/16	03	7/16-20	33	15	15
1001-04-04	1/4	04	7/16-20	38	15	13
1001-04-05	1/4	04	1/2-20	40	17	14
1001-04-06	1/4	04	9/16-18	47	19	18
1001-05-05	5/16	05	1/2-20	16	17	17
1001-05-06	5/16	05	9/16-18	47	19	18
1001-06-05	3/8	06	1/2-20	51	17	17
1001-06-06	3/8	06	9/16-18	51	19	17
1001-06-07	3/8	06	5/8-18	51	22	17
1001-06-08	3/8	06	3/4-16	52	24	19
1001-06-10	3/8	06	7/8-14	54	27	21
1001-08-08	1/2	08	3/4-16	62	24	22
1001-08-10	1/2	08	7/8-14	64	27	23
1001-08-12	1/2	08	1.1/16-12	68	32	25
1001-10-10	5/8	10	7/8-14	68	27	24
1001-10-12	5/8	10	1.1/16-12	70	32	25
1001S12-10	3/4	12	7/8-14	83	27	27
1001-12-12	3/4	12	1.1/16-12	84	32	28
1001-12-14	3/4	12	1.3/16-12	84	36	29
1001-12-16	3/4	12	1.5/16-12	88	38	30
1001-16-16	1	16	1.5/16-12	104	38	33

# 1000

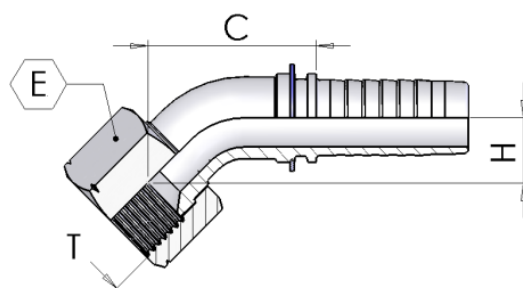


## JIC 45° Swept Elbow 74° Cone Slipe on nut

Part number	Hose I.D.	Dimensions				
		dash size	Thread T	C	Hex E	Drop H
1000-03-04	3/16	03	7/16-20	33	17	15
1000-04-04	1/4	04	7/16-20	38	17	13
1000-04-05	1/4	04	1/2-20	40	17	14
1000-04-06	1/4	04	9/16-18	42	19	16
1000-05-06	5/16	05	9/16-18	47	19	18
1000-06-05	3/8	06	1/2-20	51	17	17
1000-06-06	3/8	06	9/16-18	51	19	17
1000-06-07	3/8	06	5/8-18	51	22	17
1000-06-08	3/8	06	3/4-16	51	24	19
1000-06-10	3/8	06	7/8-14	54	27	21
1000-08-08	1/2	08	3/4-16	62	24	22
1000-08-10	1/2	08	7/8-14	64	27	23
1000-08-12	1/2	08	1.1/16-12	68	32	25
1000-10-10	5/8	10	7/8-14	68	27	24
1000-10-12	5/8	10	1.1/16-12	70	32	25
1000S12-10	3/4	12	7/8-14	83	27	27
1000-12-12	3/4	12	1.1/16-12	84	32	28
1000-12-14	3/4	12	1.3/16-12	84	36	29
1000-12-16	3/4	12	1.5/16-12	88	41	30
1000-16-12	1	16	1.1/16-12	103	32	32
1000S16-14	1	16	1.3/16-12	72	36	33
1000-16-16	1	16	1.5/16-12	104	41	33
1000S16-20	1	16	1.5/8-12	68	50	31
1000-20-20	1.1/4	20	1.5/8-12	108	50	40
1000S20-24	1.1/4	20	1.7/8-12	89	55	39
1000-24-24	1.1/2	24	1.7/8-12	119	55	49
1000-32-32	2	32	2.1/2-12	142	70	65

1002

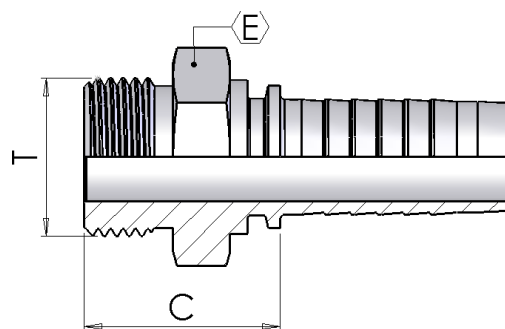
### JIC 45° Swept Elbow 74° Cone Slipe on nut



Part number	Hose I.D.	Dimensions				
		dash size	Thread T	C	Hex E	Drop H
1002-04-05	1/4	04	1/2-20	38	17	11
1002-04-06	1/4	04	9/16-18	38	19	11
1002-05-06	5/16	05	9/16-18	49	19	20
1002-06-08	3/8	06	3/4-16	48	22	13
1002-08-10	1/2	08	7/8-14	58	27	16
1002-10-12	5/8	10	1.1/16-12	66	32	18
1002-12-12	3/4	12	1.1/16-12	81	32	21
1002-12-16	3/4	12	1.5/16-12	86	38	30

0385

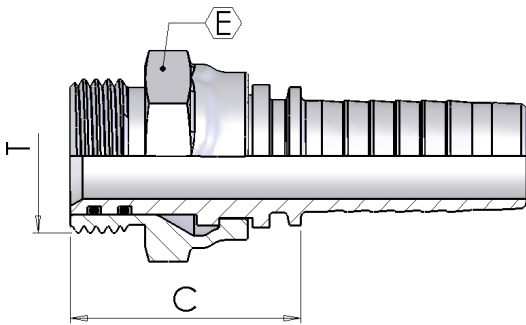
### SAE Male O'R Flat Seat



Part number	Hose I.D.		Dimensions			
	in	mm	dash size	Thread T	Cut-Off C	Hex E
0385-04-04	1/4	6.4	04	7/16-20	24	14
0385-04-06	1/4	6.4	04	9/16-18	24	17
0385-05-06	5/16	7.9	05	9/16-18	24	17
0385-06-06	3/8	9.5	06	9/16-18	25	17
0385-06-08	3/8	9.5	06	3/4-16	28	22
0385-08-08	1/2	12.7	08	3/4-16	28	22
0385-08-10	1/2	12.7	08	7/8-14	30	27
0385-08-12	1/2	12.7	08	1.1/16-12	32	32
0385-10-10	5/8	15.9	10	7/8-14	30	27
0385-10-12	5/8	15.9	10	1.1/16-12	32	32
0385-12-12	3/4	19	12	1.1/16-12	33	32

## 0390

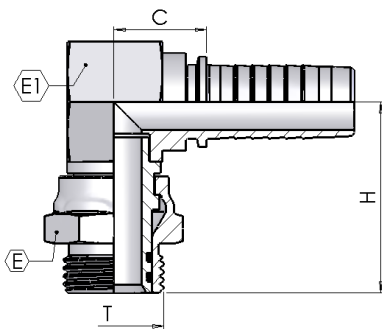
### Swivel Male O'Ring



Part number	Hose I.D.		Dimensions			
			dash	Thread	Cut-Off	Hex
	in	mm	size	T	C	E
0390-08-10	1/2	12.7	08	7/8-14	39	27
0390-10-10	5/8	15.9	10	7/8-14	39	27
0390-12-12	3/4	19	12	1.1/16-12	43	32

## 0395

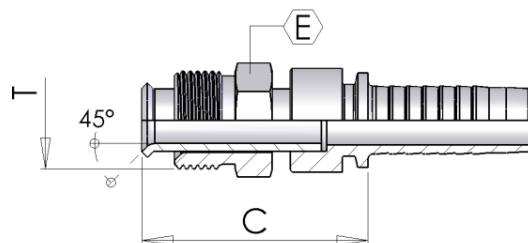
### 90° Swivel Male O'ring



Part number	Hose I.D.		Dimensions					
			dash	Thread	Cut-Off	Hex		Drop
	in	mm	size	T	C	E	E1	H
0395-08-10	1/2	12.7	08	7/8-14	21	27	27	48
0395-10-10	5/8	15.9	10	7/8-14	21	27	27	48
0395-12-12	3/4	19	12	1.1/16-12	25	32	32	52

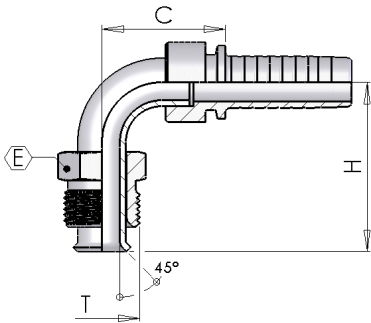
## IF00

## Straight Male Inverted Flare Swivel



Part number	Hose I.D.		Dimensions			
			dash	Thread	Cut-Off	Hex
	in	mm	size	T	C	E
IF00-04-04	1/4	6.4	04	7/16-24	38	12
IF00-04-05	1/4	6.4	04	1/2-20	55	14
IF00-05-04	5/8	7.9	05	7/16-24	56	12
IF00-05-05	5/8	7.9	05	1/2-20	56	14
IF00-05-07	5/8	7.9	05	5/8-18	56	17
IF00-06-04	3/8	9.5	06	7/16-24	56	12
IF00-06-05	3/8	9.5	06	1/2-20	56	14
IF00-06-07	3/8	9.5	06	5/8-18	57	17
IF00-06-09	3/8	9.5	06	11/16-18	42	19
IF00-08-08	1/2	12.7	08	3/4-18	60	19

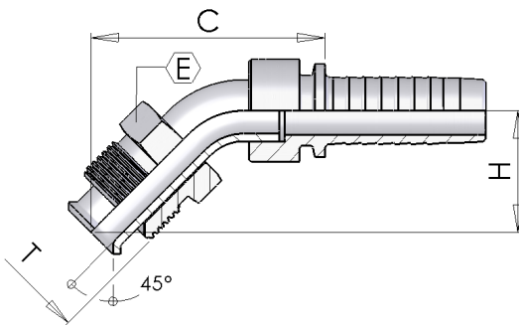
## IF90



### 90° Male Inverted Flare Swivel

Part number	Hose I.D.		Dimensions				
			dash	Thread	Cut-Off	Hex	Drop
	in	mm	size	T	C	E	H
IF90-04-04	1/4	6.4	04	7/16-24	29	12	36
IF90-04-05	1/4	6.4	04	1/2-20	30	14	34
IF90-05-04	5/8	7.9	05	7/16-24	24	12	38
IF90-05-05	5/8	7.9	05	1/2-20	30	14	35
IF90-05-07	5/8	7.9	05	5/8-18	30	17	43
IF90-06-04	3/8	9.5	06	7/16-24	30	12	35
IF90-06-05	3/8	9.5	06	1/2-20	30	14	35
IF90-06-07	3/8	9.5	06	5/8-18	31	17	44
IF90-06-09	3/8	9.5	06	11/16-18	31	19	42
IF90-08-08	1/2	12.7	08	3/4-18	35	19	45

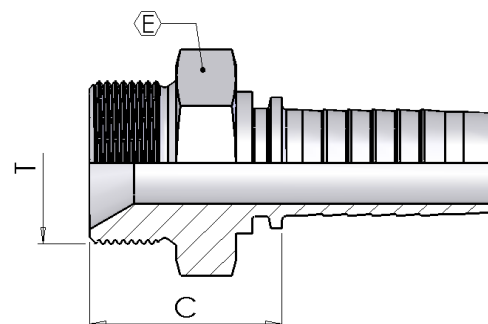
## IF45



### 45° Male Inverted Flare Swivel

Part number	Hose I.D.		Dimensions				
			dash	Thread	Cut-Off	Hex	Drop
	in	mm	size	T	C	E	H
IF45-06-04	3/8	9.5	06	7/16-24	48	12	25
IF45-06-05	3/8	9.5	06	1/2-20	48	14	25
IF45-06-07	3/8	9.5	06	5/8-18	54	17	30
IF45-06-09	3/8	9.5	06	11/16-18	54	19	30

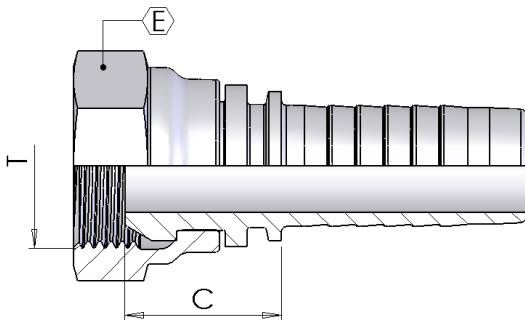
## Metric Male 60° cone



Part number	Hose I.D.		Dimensions			
			dash	Thread	Cut-Off	Hex
	in	mm	size	T	C	E
0400-03-10	3/16	4.8	03	M10-1	19	14
0400-03-12	3/16	4.8	03	M12-1.5	25	17
0400-04-10	1/4	6.4	04	M10-1	20	14
0400-04-12	1/4	6.4	04	M12-1.5	26	17
0400-04-14	1/4	6.4	04	M14-1.5	26	19
0400-04-16	1/4	6.4	04	M16-1.5	26	22
0400-05-12	5/16	7.9	05	M12-1.5	26	17
0400-05-16	5/16	7.9	05	M16-1.5	26	22
0400-05-18	5/16	7.9	05	M18-1.5	26	24
0400-06-14	3/8	9.5	06	M14-1.5	26	19
0400-06-16	3/8	9.5	06	M16-1.5	26	22
0400-06-18	3/8	9.5	06	M18-1.5	27	24
0400-06-22	3/8	9.5	06	M22-1.5	27	27
0400-08-18	1/2	12.7	08	M18-1.5	28	24
0400-08-22	1/2	12.7	08	M22-1.5	30	27
0400-10-26	5/8	15.9	10	M26-1.5	32	32
0400-12-26	3/4	19	12	M26-1.5	33	32
0400-12-30	3/4	19	12	M30-1.5	36	36
0400-16-38	1	25.4	16	M38-1.5	37	46
0400-20-45	1.1/4	31.8	20	M45-1.5	39	55

## 0100

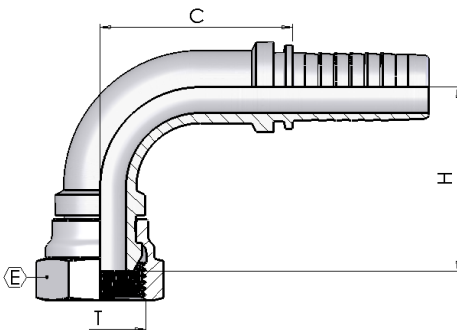
### Metric Female 60° cone



Part number	Hose I.D.		Dimensions			
			dash	Thread	Cut-Off	Hex
	in	mm	size	T	C	E
0100-12-30	3/4	19	12	M30-1.5	23	36
0100-16-38	1	25.4	16	M38-1.5	33	46
0100-20-45	1.1/4	31.8	20	M45-1.5	34	50
0100-24-52	1.1/2	38	24	M52x1,5	35	60
0100-32-65	2	50.8	32	M65-2	31	75

## 0200

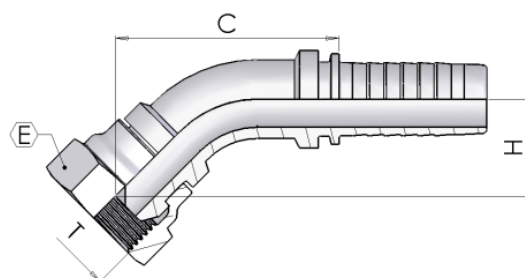
### 90° Metric Swept Elbow 60° cone



Part number	Hose I.D.		Dimensions				
			dash	Thread	Cut-Off	Hex	Drop
	in	mm	size	T	C	E	H
0200S12-30	3/4	19	12	M30-1.5	48	36	57
0200S20-45	1.1/4	31.8	20	M45-1.5	63	50	71
0200-16-38	1	25.4	16	M38-1.5	70	46	71

# 0300

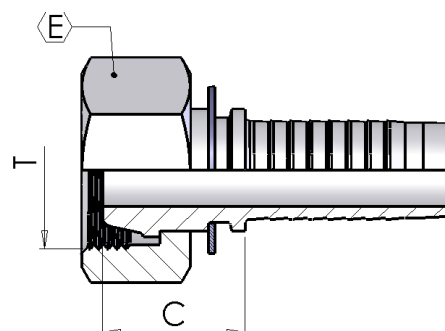
## 45° Metric Swept Elbow 60° cone



Part number	Hose I.D.		Dimensions				
			dash	Thread	Cut-Off	Hex	Drop
	in	mm	size	T	C	E	H
0300S12-30	3/4	19	12	M30-1.5	57	36	27
0300S20-45	1.1/4	31.8	20	M45-1.5	73	50	27
0300-16-38	1	25.4	16	M38-1.5	109	46	38

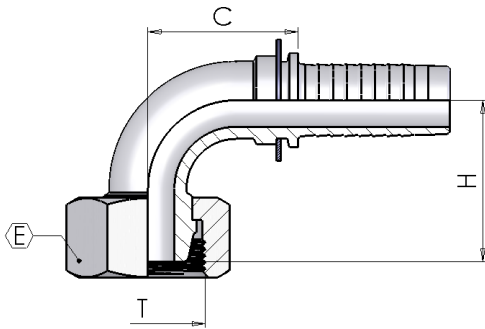
# 0035

## Metric Female 24° Seat Light Multiseal



Part number	Hose I.D.		Dimensions				
			dash	Thread		Cut-Off	Hex
	in	mm	size	T	Erm	C	E
0035-03-12	3/16	4.8	03	M12-1.5	6	19	14
0035-03-16	3/16	4.8	03	M16-1.5	10	18	19
0035-04-14	1/4	6.4	04	M14-1.5	8	19	17
0035-04-16	1/4	6.4	04	M16-1.5	10	19	19
0035-05-16	5/16	7.9	05	M16-1.5	10	19	19
0035-05-18	5/16	7.9	05	M18-1.5	12	21	22
0035-06-18	3/8	9.5	06	M18-1.5	12	23	22
0035-06-22	3/8	9.5	06	M22-1.5	15	22	27
0035-08-22	1/2	12.7	08	M22-1.5	15	22	27
0035-08-26	1/2	12.7	08	M26-1.5	18	24	32
0035-10-26	5/8	15.9	10	M26-1.5	18	24	32

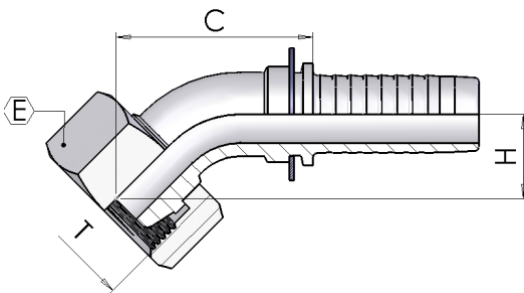
# 0135



## 90° Metric Swept Elbow 24° Seat Light Multiseal

Part number	Hose I.D.		Dimensions					
			dash	Thread		Cut-Off	Hex	Drop
	in	mm	size	T	Erm	C	E	H
0135-04-14	1/4	6.4	04	M14-1.5	8	25	17	25
0135-04-16	1/4	6.4	04	M16-1.5	10	26	19	24
0135-05-16	5/16	7.9	05	M16-1.5	10	32	19	29
0135-05-18	5/16	7.9	05	M18-1.5	12	31	22	30
0135-06-18	3/8	9.5	06	M18-1.5	12	32	22	33
0135-06-22	3/8	9.5	06	M22-1.5	15	33	27	34
0135-08-22	1/2	12.7	08	M22-1.5	15	41	27	38
0135-10-26	5/8	15.9	10	M26-1.5	18	46	32	42

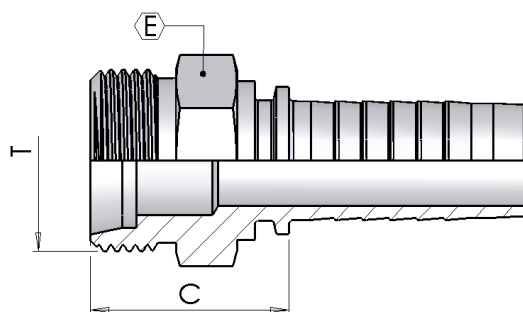
# 0235



## 45° Metric Swept Elbow 24° Seat Light Multiseal

Part number	Hose I.D.		Dimensions					
			dash	Thread		Cut-Off	Hex	Drop
	in	mm	size	T	Erm	C	E	H
0235-04-12	1/4	6.4	04	M12-1.5	6	36	14	15
0235-04-14	1/4	6.4	04	M14-1.5	8	40	17	14
0235-04-16	1/4	6.4	04	M16-1.5	10	37	19	16
0235-05-16	5/16	7.9	05	M16-1.5	10	47	19	14
0235-05-18	5/16	7.9	05	M18-1.5	12	49	22	16
0235-06-18	3/8	9.5	06	M18-1.5	12	50	22	16
0235-08-22	1/2	12.7	08	M22-1.5	15	61	27	21

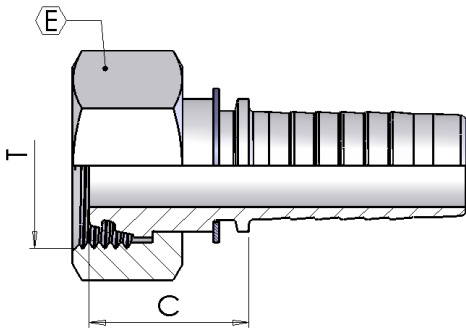
## Metric Male 24° Seat Light



Part number	Hose I.D.		Dimensions				
			dash	Thread		Cut-Off	Hex
	in	mm	size	T	Erm	C	E
0500-03-12	3/16	4.8	03	M12-1.5	6	22	14
0500-04-12	1/4	6.4	04	M12-1.5	6	23	14
0500-04-14	1/4	6.4	04	M14-1.5	8	22	14
0500-04-16	1/4	6.4	04	M16-1.5	10	23	17
0500-04-18	1/4	6.4	04	M18-1.5	12	24	19
0500-05-14	5/16	7.9	05	M14-1.5	8	22	14
0500-05-16	5/16	7.9	05	M16-1.5	10	23	17
0500-05-18	5/16	7.9	05	M18-1.5	12	24	19
0500-05-22	5/16	7.9	05	M22-1.5	15	25	22
0500-06-16	3/8	9.5	06	M16-1.5	10	23	17
0500-06-18	3/8	9.5	06	M18-1.5	12	24	19
0500-06-22	3/8	9.5	06	M22-1.5	15	25	22
0500-08-18	1/2	12.7	08	M18-1.5	12	25	19
0500-08-22	1/2	12.7	08	M22-1.5	15	26	22
0500-08-26	1/2	12.7	08	M26-1.5	18	27	27
0500-10-22	5/8	15.9	10	M22-1.5	15	26	22
0500-10-26	5/8	15.9	10	M26-1.5	18	27	27
0500-10-30	5/8	15.9	10	M30-2	22	32	30
0500-12-26	3/4	19	12	M26-1.5	18	28	27
0500-12-30	3/4	19	12	M30-2	22	33	30
0500-16-36	1	25.4	16	M36-2	28	32	36
0500-20-45	1.1/4	31.8	20	M45-2	35	36	46
0500-24-52	1.1/2	38.1	24	M52-2	42	38	55

# 0085

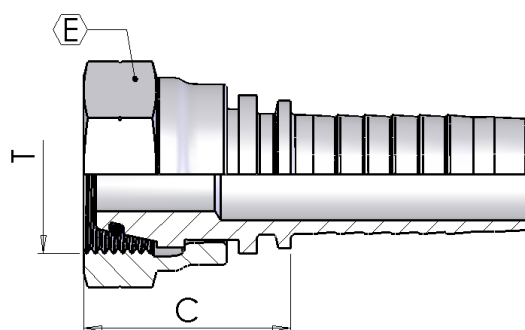
## Metric Female 24° Seat Light



Part number	Hose I.D.		Dimensions				
			dash size	Thread T	Erm	Cut-Off C	Hex E
0085-03-12	3/16	4.8	03	M12-1.5	6	23	14
0085-04-14	1/4	6.4	04	M14-1.5	8	24	17
0085-04-16	1/4	6.4	04	M16-1.5	10	24	19
0085-04-18	1/4	6.4	04	M18-1.5	12	25	22
0085-05-16	5/16	7.9	05	M16-1.5	10	24	19
0085-05-18	5/16	7.9	05	M18-1.5	12	25	22
0085-06-18	3/8	9.5	06	M18-1.5	12	25	22
0085-06-22	3/8	9.5	06	M22-1.5	15	29	27
0085-08-22	1/2	12.7	08	M22-1.5	15	29	27
0085-08-26	1/2	12.7	08	M26-1.5	18	29	32
0085-10-26	5/8	15.9	10	M26-1.5	18	29	32
0085-10-30	5/8	15.9	12	M30-2	22	29	36
0085-12-30	3/4	19	12	M30-2	22	29	36
0085-12-36	3/4	19	12	M36-2	28	28	41
0085-16-36	1	25.4	16	M36-2	28	30	41
0085-20-45	1.1/4	31.8	20	M45-2	35	40	50
0085-24-52	1.1/2	38.1	24	M52-2	42	41	60

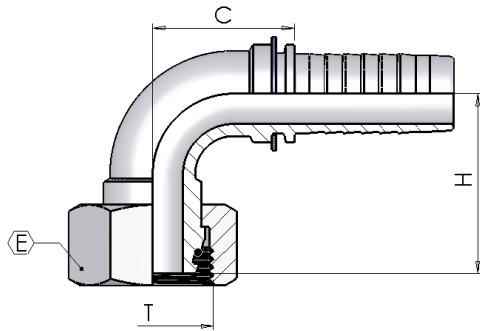
0085\_R

## Metric Female 24° Seat Light (rolled nut)



Part number	Hose I.D.		Dimensions				
			dash size	Thread T	Erm	Cut-Off C	Hex E
0085_R-04-12	1/4	6.4	04	M12-1.5	6	25	14
0085_R-05-14	5/16	7.9	05	M14-1.5	8	26	19
0085_R-06-16	3/8	9.5	06	M16-1.5	10	25	19
0085_R-08-18	1/2	12.7	08	M18-1.5	12	28	24
0085_R-10-22	5/8	15.9	10	M22-1.5	15	32	27
0085_R-12-26	3/4	19	12	M26-1.5	18	36	32

# 0185

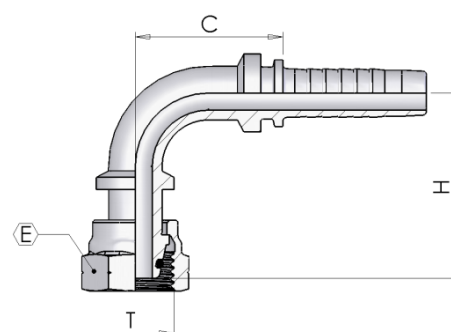


## 90° Metric Swept Elbow 24° Seat Light

Part number	Hose I.D.		Dimensions					
			dash	Thread		Cut-Off	Hex	Drop
	in	mm	size	T	Erm	C	E	H
0185-03-12	3/16	4.8	03	M12-1.5	6	22	14	23
0185-04-14	1/4	6.4	04	M14-1.5	8	26	17	26
0185-04-16	1/4	6.4	04	M16-1.5	10	25	19	27
0185-04-18	1/4	6.4	04	M18-1.5	12	27	22	30
0185-05-16	5/16	7.9	05	M16-1.5	10	31	19	31
0185-05-18	5/16	7.9	05	M18-1.5	12	31	22	32
0185-06-18	3/8	9.5	06	M18-1.5	12	32	22	35
0185-06-22	3/8	9.5	06	M22-1.5	15	32	27	35
0185-08-22	1/2	12.7	08	M22-1.5	15	41	27	38
0185-08-26	1/2	12.7	08	M26-1.5	18	41	32	39
0185-10-26	5/8	15.9	10	M26-1.5	18	44	32	44
0185S12-26	3/4	19	12	M26-1.5	18	42	32	44
0185-12-30	3/4	19	12	M30-2	22	58	36	52
0185S12-36	3/4	19	12	M36-2	28	49	41	51
0185-16-36	1	25.4	16	M36-2	28	72	41	62
0185S20-45	1.1/4	31.8	20	M45-2	35	63	50	73
0185S24-52	1.1/2	38.1	24	M52-2	42	81	60	83

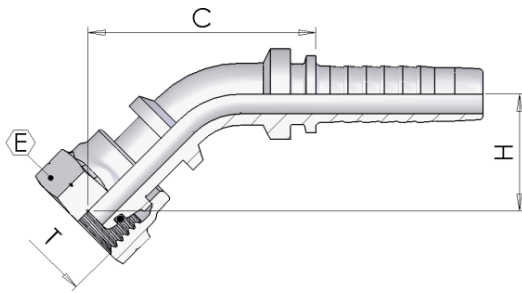
## 0185\_R

## 90° Metric Swept Elbow 24° Seat Light (rolled nut)



Part number	Hose I.D.		Dimensions					
			dash	Thread		Cut-Off	Hex	Drop
	in	mm	size	T	Erm	C	E	H
0185_R-04-12	1/4	6.4	04	M12-1.5	6	26	14	34
0185_R-05-14	5/16	7.9	05	M14-1.5	8	30	17	38
0185_R-06-16	3/8	9.5	06	M16-1.5	10	32	19	39
0185_RS08-18	1/2	12.7	08	M18-1.5	12	33	24	48
0185_R-10-22	5/8	15.9	08	M22-1.5	15	42	27	55

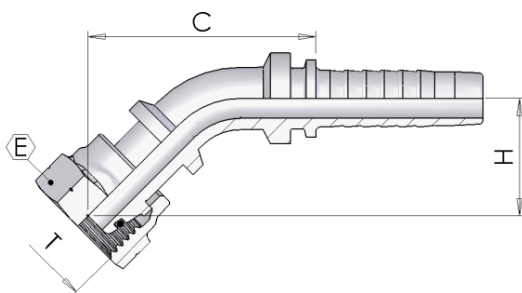
## 0285



### 45° Metric Swept Elbow 24° Seat Light

Part number	Hose I.D.		Dimensions					
			dash	Thread		Cut-Off	Hex	Drop
	in	mm	size	T	Erm	C	E	H
0285-03-12	3/16	4.8	03	M12-1.5	6	36	14	14
0285-04-14	1/4	6.4	04	M14-1.5	8	42	17	14
0285-04-16	1/4	6.4	04	M16-1.5	10	42	19	15
0285-04-18	1/4	6.4	04	M18-1.5	12	43	22	16
0285-05-16	5/16	7.9	05	M16-1.5	10	48	19	17
0285-05-18	5/16	7.9	05	M18-1.5	12	48	22	18
0285-06-18	3/8	9.5	06	M18-1.5	12	52	22	19
0285-06-22	3/8	9.5	06	M22-1.5	15	51	27	19
0285-08-22	1/2	12.7	08	M22-1.5	15	63	27	21
0285S08-26	1/2	12.7	08	M26-1.5	18	44	32	17
0285-10-26	5/8	15.9	10	M26-1.5	18	68	32	23
0285S12-26	3/4	19	12	M26-1.5	18	43	32	19
0285-12-30	3/4	19	12	M30-2	22	85	36	27
0285-16-36	1	25.4	16	M36-2	28	102	41	32
0285S20-45	1.1/4	31.8	20	M45-2	35	72	50	34
0285S24-52	1.1/2	38.1	24	M52-2	42	85	60	36

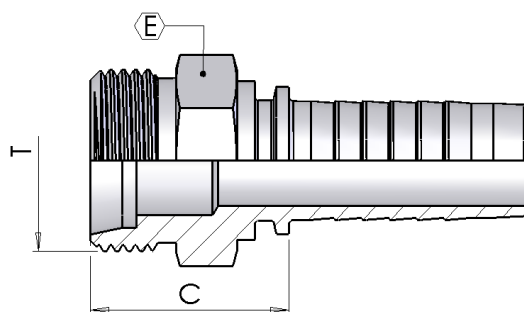
## 0285\_R



### 45° Metric Swept Elbow 24° Seat Light (rolled nut)

Part number	Hose I.D.		Dimensions					
			dash	Thread		Cut-Off	Hex	Drop
	in	mm	size	T	Erm	C	E	H
0285_R-04-12	1/4	6.4	04	M12-1.5	6	46	14	20
0285_R-06-16	3/8	9.5	06	M16-1.5	10	55	19	22

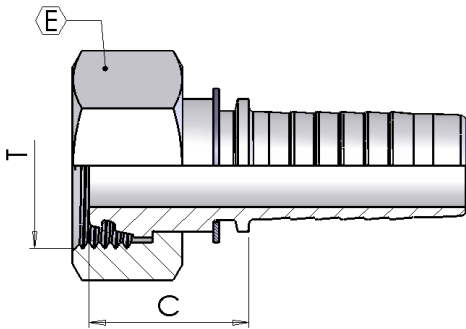
## Metric Male 24° Seat Heavy



Part number	Hose I.D.		Dimensions				
			dash	Thread		Cut-Off	Hex
	in	mm	size	T	Erm	C	E
0450-03-16	3/16	4.8	03	M16-1.5	8	26	17
0450-04-14	1/4	6.4	04	M14-1.5	6	25	14
0450-04-16	1/4	6.4	04	M16-1.5	8	27	17
0450-04-18	1/4	6.4	04	M18-1.5	10	27	19
0450-05-18	5/16	7.9	05	M18-1.5	10	27	19
0450-05-20	5/16	7.9	05	M20-1.5	12	29	22
0450-06-18	3/8	9.5	06	M18-1.5	10	27	19
0450-06-20	3/8	9.5	06	M20-1.5	12	29	22
0450-06-22	3/8	9.5	06	M22-1.5	14	31	22
0450-06-24	3/8	9.5	06	M24-1.5	16	31	24
0450-08-24	1/2	12.7	08	M24-1.5	16	32	24
0450-10-30	5/8	15.9	10	M30-2	20	34	30
0450-12-30	3/4	19	12	M30-2	20	35	30
0450-12-36	3/4	19	12	M36-2	25	38	36
0450-16-36	1	25.4	16	M36-2	25	39	36
0450-16-42	1	25.4	16	M42-2	30	42	46
0450-20-42	1.1/4	31.8	20	M42-2	30	43	46
0450-20-52	1.1/4	31.8	20	M52-2	38	45	55
0450-24-52	1.1/2	38.1	24	M52-2	38	45	55

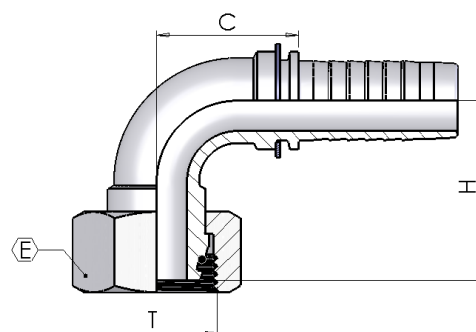
# 0084

## Metric Female 24° Seat Heavy



Part number	Hose I.D.		Dimensions				
			dash	Thread		Cut-Off	Hex
	in	mm	size	T	Erm	C	E
0084-03-16	3/16	4.8	03	M16-1.5	8	25	19
0084-04-14	1/4	6.4	04	M14-1.5	6	23	17
0084-04-16	1/4	6.4	04	M16-1.5	8	25	19
0084-04-18	1/4	6.4	04	M18-1.5	10	24	22
0084-05-18	5/16	7.9	05	M18-1.5	10	24	22
0084-05-20	5/16	7.9	05	M20-1.5	12	26	24
0084-06-18	3/8	9.5	06	M18-1.5	10	25	22
0084-06-20	3/8	9.5	06	M20-1.5	12	25	24
0084-06-22	3/8	9.5	06	M22-1.5	14	29	27
0084-08-22	1/2	12.7	08	M22-1.5	14	17	27
0084-08-24	1/2	12.7	08	M24-1.5	16	30	30
0084-08-30	1/2	12.7	08	M30-2	20	33	36
0084-10-30	5/8	15.9	10	M30-2	20	33	36
0084-12-30	3/4	19	12	M30-2	20	34	36
0084-12-36	3/4	19	12	M36-2	25	40	46
0084-16-36	1	25.4	16	M36-2	25	41	46
0084-16-42	1	25.4	16	M42-2	30	43	50
0084-20-52	1.1/4	31.8	20	M52-2	38	44	60
0084-24-52	1.1/2	38.1	24	M52-2	38	44	60

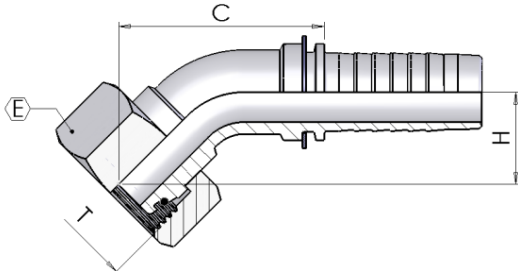
## 90° Metric Swept Elbow 24° Seat Heavy



Part number	Hose I.D.		Dimensions					
			dash	Thread		Cut-Off	Hex	Drop
	in	mm	size	T	Erm	C	E	H
0184-03-16	3/16	4.8	03	M16-1.5	8	22	19	25
0184-04-14	1/4	6.4	04	M14-1.5	6	27	17	26
0184-04-16	1/4	6.4	04	M16-1.5	8	26	19	26
0184-04-18	1/4	6.4	04	M18-1.5	10	27	22	31
0184-04-20	1/4	6.4	04	M20-1.5	12	27	24	30
0184-05-18	5/16	7.9	05	M18-1.5	10	33	22	33
0184-05-20	5/16	7.9	05	M20-1.5	12	30	24	34
0184-06-18	3/8	9.5	06	M18-1.5	10	34	22	35
0184-06-20	3/8	9.5	06	M20-1.5	12	34	24	34
0184-06-22	3/8	9.5	06	M22-1.5	14	33	27	33
0184-08-24	1/2	12.7	08	M24-1.5	16	40	30	41
0184-10-24	5/8	15.9	10	M24-1.5	16	42	30	60
0184-10-30	5/8	15.9	10	M30-2	20	46	36	50
0184-12-30	3/4	19	12	M30-2	20	58	36	56
0184-12-36	3/4	19	12	M36-2	25	56	46	59
0184-16-36	1	25.4	16	M36-2	25	69	46	67
0184-16-42	1	25.4	16	M42-2	30	69	50	67
0184-20-52	1.1/4	31.8	20	M52-2	38	84	60	82
0184-24-52	1.1/2	38.1	24	M52-2	38	99	60	94

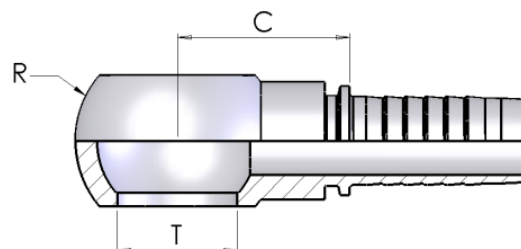
# 0284

## 45° Metric Swept Elbow 24° Seat Heavy



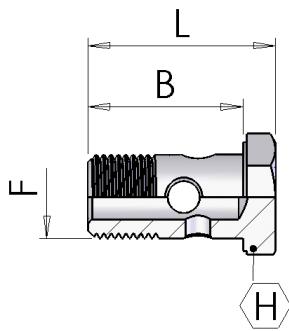
Part number	Hose I.D.		Dimensions					
			dash size	Thread T	Erm	Cut-Off C	Hex E	Drop H
0284-03-16	3/16	4.8	03	M16-1.5	8	36	19	16
0284-04-14	1/4	6.4	04	M14-1.5	6	37	17	15
0284-04-16	1/4	6.4	04	M16-1.5	8	42	19	15
0284-04-18	1/4	6.4	04	M18-1.5	10	45	22	18
0284-05-20	5/16	7.9	05	M20-1.5	12	49	24	19
0284-06-18	3/8	9.5	06	M18-1.5	10	51	22	19
0284-06-20	3/8	9.5	06	M20-1.5	12	53	24	18
0284-06-22	3/8	9.5	06	M22-1.5	14	54	27	20
0284-08-24	1/2	12.7	08	M24-1.5	16	63	30	21
0284-10-30	5/8	15.9	10	M30-2	20	74	36	29
0284-12-30	3/4	19	12	M30-2	20	87	36	30
0284-12-36	3/4	19	12	M36-2	25	56	46	31
0284-16-36	1	25.4	16	M36-2	25	105	46	34
0284-16-42	1	25.4	16	M42-2	30	82	50	33
0284-20-52	1.1/4	31.8	20	M52-2	38	105	60	39
0284-24-52	1.1/2	38.1	24	M52-2	38	157	60	52

## Metric Banjo



Part number	Hose I.D.		Dimensions			
			dash		Cut-Off	
	in	mm	size	mm	C	R
1350-03-10	3/16	4.8	03	10.2	25	17
1350-03-12	3/16	4.8	03	12.2	21	20
1350-04-10	1/4	6.4	04	10.2	25	17
1350-04-12	1/4	6.4	04	12.2	22	20
1350-04-14	1/4	6.4	04	14.2	25	24
1350-05-14	5/16	7.9	05	14.2	25	24
1350-05-16	5/16	7.9	05	16.2	31	28
1350-05-18	5/16	7.9	05	18.2	29	32
1350-06-14	3/8	9.5	06	14.2	25	24
1350-06-16	3/8	9.5	06	16.2	31	28
1350-06-18	3/8	9.5	06	18.2	29	32
1350-06-22	3/8	9.5	06	22.2	31	36
1350-08-16	1/2	12.7	08	16.2	30	28
1350-08-18	1/2	12.7	08	18.2	29	32
1350-08-22	1/2	12.7	08	22.2	31	36
1350-10-22	5/8	15.9	10	22.2	31	36
1350-10-26	5/8	15.9	10	26.5	38	45
1350-12-22	3/4	19	12	22.2	32	36

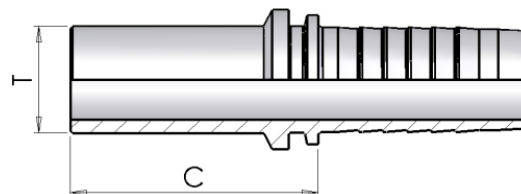
# 1650



## Metric perfored bolt

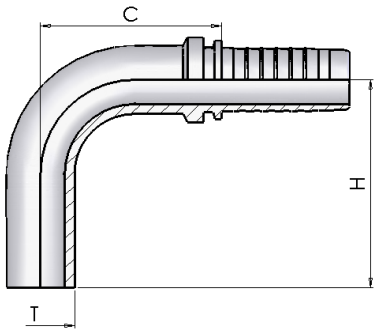
Part number	Dimensions			Drop
	B	F	L	
1650-00-10	19	M10-1	24	14
1650-00-12	26	M12-1.5	31	17
1650-00-14	29	M14-1.5	34	19
1650-00-16	33	M16-1.5	41	22
1650-00-18	37	M18-1.5	44	24
1650-00-20	38	M20-1.5	46	27
1650-00-22	38	M22-1.5	46	27
1650-00-26	47	M26-1.5	56	32
1650-00-30	58	M30-1.5	68	36

## Metric Standpipe



Part number	Hose I.D.		Dimensions			
			dash	pipe		Cut-Off
	in	mm	size	T	Type	C
0550-03-06	3/16	4.8	03	6	L/S	30
0550-03-08	3/16	4.8	03	8	L/S	29
0550-04-06	1/4	6.4	04	6	L/S	32
0550-04-08	1/4	6.4	04	8	L/S	30
0550-04-10	1/4	6.4	04	10	L/S	33
0550-04-12	1/4	6.4	04	12	L/S	30
0550-05-08	5/16	7.9	05	08	L/S	31
0550-05-10	5/16	7.9	05	10	L/S	31
0550-05-12	5/16	7.9	05	12	L/S	33
0550-06-08	3/8	9.5	06	08	L/S	33
0550-06-10	3/8	9.5	06	10	L/S	33
0550-06-12	3/8	9.5	06	12	L/S	32
0550-06-14	3/8	9.5	06	14	S	37
0550-06-15	3/8	9.5	06	15	L	32
0550-08-12	1/2	12.7	08	12	L/S	36
0550-08-14	1/2	12.7	08	14	S	39
0550-08-15	1/2	12.7	08	15	L	34
0550-08-16	1/2	12.7	08	16	S	39
0550-08-18	1/2	12.7	08	18	L	35
0550-08-20	1/2	12.7	08	20	S	45
0550-10-18	5/8	15.9	10	18	L	35
0550-10-20	5/8	15.9	10	20	S	45
0550-10-22	5/8	15.9	10	22	L	33
0550-12-18	3/4	19	12	18	L	37
0550-12-20	3/4	19	12	20	S	46
0550-12-22	3/4	19	12	22	L	38
0550-12-25	3/4	19	12	25	S	49
0550-12-28	3/4	19	12	28	L	40
0550-16-25	1	25.4	16	25	S	51
0550-16-28	1	25.4	16	28	L	41
0550-16-30	1	25.4	16	30	S	54
0550-16-38	1	25.4	16	38	S	60
0550-20-30	1.1/4	31.8	20	30	S	58
0550-20-35	1.1/4	31.8	20	35	L	48
0550-20-38	1.1/4	31.8	20	38	S	62
0550-24-38	1.1/2	38.1	24	38	S	63
0550-24-42	1.1/2	38.1	24	42	L	50

# 0650

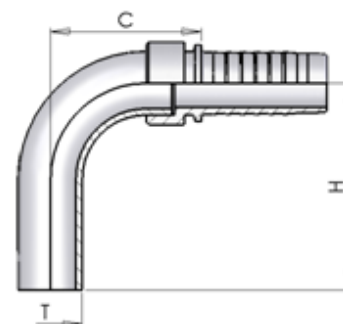


## 90° Metric Standpipe

Part number	Hose I.D.		Dimensions				
			dash	pipe		Cut-Off	Drop
	in	mm	size	T	Type	C	H
0650-03-06	3/16	4.8	03	6	L/S	20	32
0650-04-06	1/4	6.4	04	6	L/S	23	32
0650-04-08	1/4	6.4	04	8	L/S	25	34
0650-04-10	1/4	6.4	04	10	L/S	25	43
0650-05-10	5/16	7.9	05	10	L/S	29	40
0650-05-12	5/16	7.9	05	12	L/S	29	45
0650-06-10	3/8	9.5	06	10	L/S	27	40
0650-06-12	3/8	9.5	06	12	L/S	30	44

## 0650S

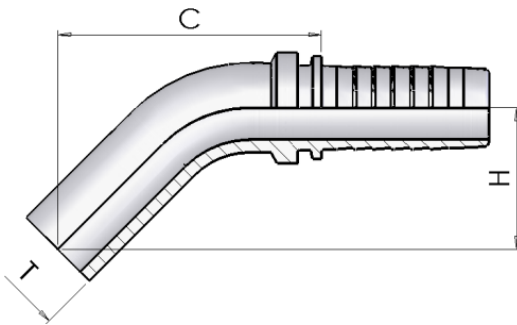
## Female Metric Tubular 90° (welded)



Part number	Hose I.D.		Dimensions				
			dash	pipe		Cut-Off	Drop
	in	mm	size	T	Type	C	H
0650S06-15	3/8	9.5	06	15	L	39	52
0650S03-08	3/16	4.8	03	8	L/S	25	41
0650S04-12	1/4	6.4	04	12	L/S	35	44
0650S05-08	5/16	7.9	05	8	L/S	27	41
0650S06-14	3/8	9.5	06	14	S	36	46
0650S08-12	1/2	12.7	08	12	L/S	33	44
0650S08-14	1/2	12.7	08	14	S	36	46
0650S08-15	1/2	12.7	08	15	L	39	52
0650S08-16	1/2	12.7	08	16	S	42	56
0650S08-18	1/2	12.7	08	18	L	42	56
0650S10-18	5/8	15.9	10	18	L	42	56
0650S10-20	5/8	15.9	10	20	S	48	65
0650S10-22	5/8	15.9	10	22	L	51	71
0650S12-20	3/4	19	12	20	S	48	65
0650S12-22	3/4	19	12	22	L	51	71
0650S12-25	3/4	19	12	25	S	57	75
0650S16-25	1	25.4	16	25	S	57	75
0650S16-28	1	25.4	16	28	L	60	89
0650S16-30	1	25.4	16	30	S	65	89
0650S20-30	1.1/4	31.8	20	30	S	66	89
0650S20-35	1.1/4	31.8	20	35	L	76	98
0650S20-38	1.1/4	31.8	20	38	S	83	102
0650S24-38	1.1/2	38.1	24	38	S	82	102
0650S24-42	1.1/2	38.1	24	42	L	106	125

# 0750

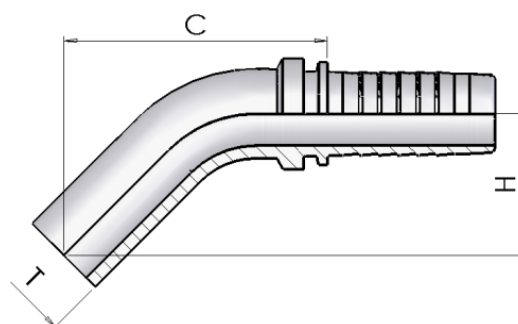
## 45° Metric Standpipe



Part number	Hose I.D.		Dimensions				
			dash size	pipe T	Type	Cut-Off C	Drop H
0750-04-06	1/4	6.4	04	6	L/S	41	24
0750-04-08	1/4	6.4	04	8	L/S	43	25
0750-04-10	1/4	6.4	04	10	L/S	47	30
0750-05-10	5/16	7.9	05	10	L/S	49	30
0750-05-12	5/16	7.9	05	12	L/S	53	32
0750-06-12	3/8	9.5	06	12	L/S	52	33

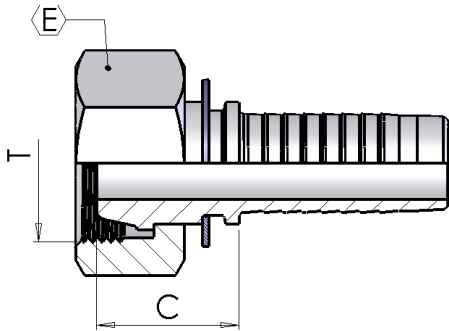
## 0750S

## 45° Metric Standpipe (welded)



Part number	Hose I.D.		Dimensions				
			dash	pipe		Cut-Off	Drop
	in	mm	size	T	Type	C	H
0750S03-08	3/16	4.8	03	8	L/S	41	23
0750S04-12	1/4	6.4	04	12	L/S	54	29
0750S06-14	3/8	9.5	06	14	S	50	27
0750S06-15	3/8	9.5	06	15	L	54	29
0750S08-14	1/2	12.7	08	14	S	50	27
0750S08-15	1/2	12.7	08	15	L	55	29
0750S08-16	1/2	12.7	08	16	S	54	27
0750S08-18	1/2	12.7	08	18	L	56	29
0750S10-18	5/8	15.9	10	18	L	56	29
0750S10-20	5/8	15.9	10	20	S	56	34
0750S10-22	5/8	15.9	10	22	L	66	35
0750S12-20	3/4	19	12	20	S	63	34
0750S12-22	3/4	19	12	22	L	65	35
0750S12-25	3/4	19	12	25	S	76	41
0750S16-25	1	25.4	16	25	S	76	41
0750S16-28	1	25.4	16	28	L	84	49
0750S16-30	1	25.4	16	30	S	86	44
0750S20-30	1.1/4	31.8	20	30	S	88	44
0750S20-35	1.1/4	31.8	20	35	L	94	47
0750S20-38	1.1/4	31.8	20	38	S	101	50
0750S24-38	1.1/2	38.1	24	38	S	100	50
0750S24-42	1.1/2	38.1	24	42	L	114	55

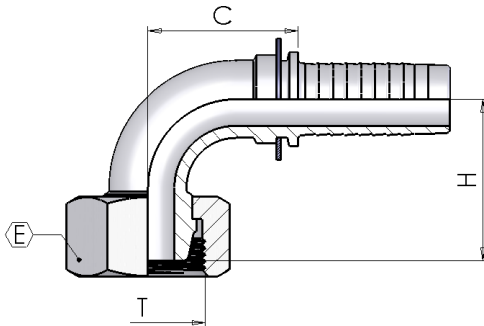
## 0030



### Metric Female 24° Cone French Type

Part number	Hose I.D.		Dimensions			
			dash	Thread	Cut-Off	Hex
	in	mm	size	T	C	E
0030-05-20	5/16	7.9	05	M20-1.5	25	24
0030-06-20	3/8	9.5	06	M20-1.5	26	24
0030-08-24	1/2	12.7	08	M24-1.5	28	30
0030-10-30	5/8	15.9	10	M30-1.5	25	36
0030-12-30	3/4	19	12	M30-1.5	26	36
0030-12-36	3/4	19	12	M36-1.5	29	46
0030-16-45	1	25.4	16	M45-1.5	30	55
0030-20-52	1.1/4	31.8	20	M52-1.5	34	65

## 0130

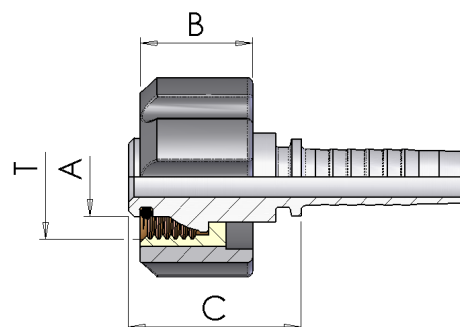


### 90° Metric Swept Elbow 24° Cone French Type

Part number	Hose I.D.		Dimensions				
			dash	Thread	Cut-Off	Hex	Drop
	in	mm	size	T	C	E	H
0130-05-20	5/16	7.9	05	M20-1.5	29	24	35
0130-06-20	3/8	9.5	06	M20-1.5	33	24	35
0130-08-24	1/2	12.7	08	M24-1.5	43	30	40
0130S10-30	5/8	15.9	10	M30-1.5	48	36	49
0130-12-36	3/4	19	12	M36-1.5	56	46	55

# FK50

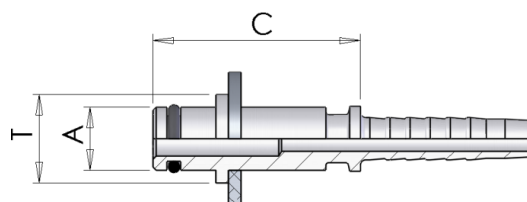
## K' Female



Part number	Hose I.D.		Dimensions				
			dash	Thread	Cut-Off		
	in	mm	size	T	C	A	B
FK50-04-22	1/4	6.4	04	M22-1.5	31	14	20
FK50-05-22	5/16	7.9	05	M22-1.5	31	14	20
FK50-06-22	3/8	9.5	06	M22-1.5	31	14	20
FK50-04022	1/4	6.4	04	M22-1.5	31	14	27
FK50-05022	5/16	7.9	05	M22-1.5	31	14	27
FK50-06022	3/8	9.5	06	M22-1.5	31	14	27

# FN50

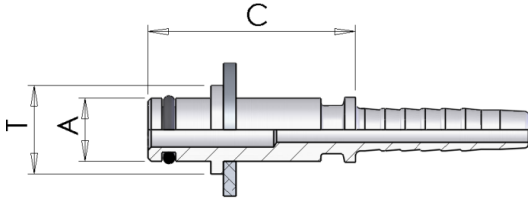
## 'K' Male ( for gun) - Diameter 10



Part number	Hose I.D.		Dimensions			
			dash	Thread		
	in		size	T	A	C
FN50-04-22	1/4		04	M22-1.5	10	33
FN50-05-22	5/16		05	M22-1.5	10	33
FN50-06-22	3/8		06	M22-1.5	10	33

## FN51

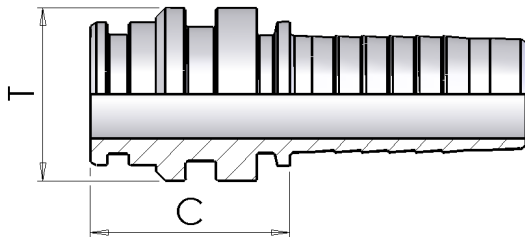
'K' Male ( for gun) - Diameter 11



Part number	Hose I.D.		Dimensions			
			dash	Thread		
	in	mm	size	T	A	C
FN51-04-22	1/4	6.4	04	M22-1.5	11	33
FN51-05-22	5/16	7.9	05	M22-1.5	11	33
FN51-06-22	3/8	9.5	06	M22-1.5	11	33

## 0398

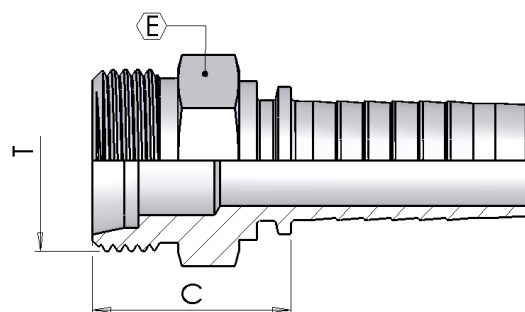
Staplelock Male



Part number	Hose I.D.		Dimensions		
			dash	Thread	Cut-Off
	in	mm	size	T	C
0398-04-04	1/4	6.4	04	14.9	32
0398-06-06	3/8	9.5	06	19.9	35
0398-08-08	1/2	12.7	08	23.9	33
0398-12-12	3/4	19	12	28.9	33
0398-16-16	1	25.4	16	38.8	39
0398-20-20	1.1/4	31.8	20	45.9	41

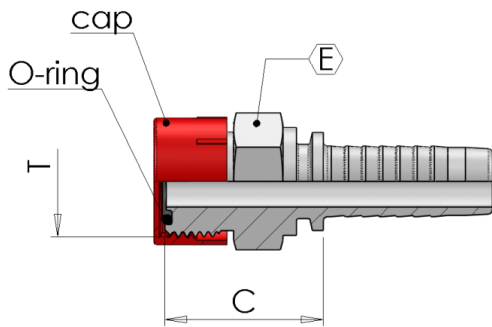
## K05B

## Kobelko Male



Part number	Hose I.D.		Dimensions			
			dash	Thread	Cut-Off	Hex
	in	mm	size	T	C	E
K05B-10-30	5/8	15.9	10	M30-1.5	32	32
K05B-12-30	3/4	19	12	M30-1.5	35	32
K05B-12-36	3/4	19	12	M36-1.5	36	41
K05B-16-36	1	25.4	16	M36-1.5	37	41
K05B-16-45	1	25.4	16	M45-1,5	38	50

## S350

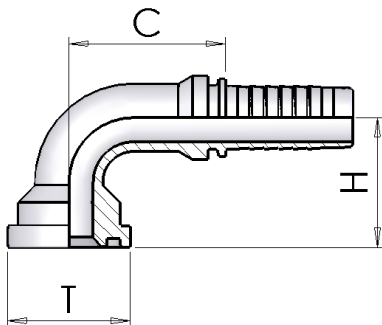


## ORFS Male

- with plug and O-Ring

Part number	Hose I.D.		Dimensions			
			dash size	Thread T	Cut-Off C	Hex E
	in	mm				
S350-04-06-BO	1/4	6.4	04	9/16-18	23	17
S350-04-09-BO	1/4	6.4	04	11/16-16	21	19
S350-05-09-BO	5/16	7.9	05	11/16-16	26	19
S350-06-09-BO	3/8	9.5	06	11/16-16	26	19
S350-06-11-BO	3/8	9.5	6	13/16-16	29	22
S350-08-11-BO	1/2	12.7	08	13/16-16	29	22
S350-08-13-BO	1/2	12.7	08	1-14	34	27
S350-08-14-BO	1/2	12.7	08	1.3/16-12	35	32
S350-10-13-BO	5/8	15.9	10	1-14	33	27
S350-10-14-BO	5/8	15.9	10	1.3/16-12	35	32
S350-12-14-BO	3/4	19	12	1.3/16-12	36	32
S350-12-15-BO	3/4	19	12	1.7/16-12	36	38
S350-16-15-BO	1	25.4	16	1.7/16-12	37	38
S350-16-21-BO	1	25.4	16	1.11/16-12	38	46
S350-20-21-BO	1.1/4	31.8	20	1.11/16-12	39	46

## 1050

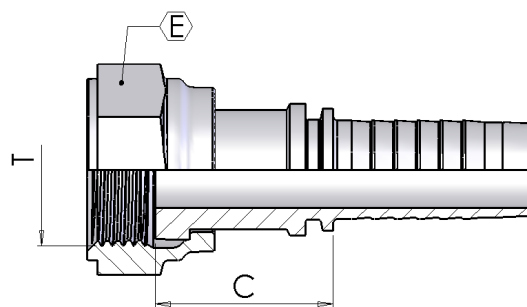


## Komatsu Flange 90°

Part number	Hose I.D.		Dimensions		
			dash size	Flange T	Cut-Off C
	in	mm			
1050-10-10	5/8		10	5/8	58

# S050

## ORFS Female

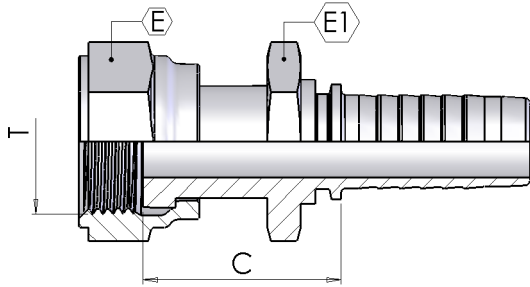


Part number	Hose I.D.		Dimensions			
			dash	Thread	Cut-Off	Hex
	in	mm	size	T	C	E
S050-04-06	1/4	6.4	04	9/16-18	25	19
S050-04-09	1/4	6.4	04	11/16-16	29	22
S050-05-09	5/16	7.9	05	11/16-16	29	22
S050-06-09	3/8	9.5	06	11/16-16	29	22
S050-06-11	3/8	9.5	06	13/16-16	30	24
S050-08-11	1/2	12.7	08	13/16-16	32	24
S050-08-13	1/2	12.7	08	1-14	35	30
S050-08-14	1/2	12.7	08	1.3/16-12	37	36
S050-10-13	5/8	15.9	10	1-14	35	30
S050-10-14	5/8	15.9	10	1.3/16-12	34	36
S050-12-13	3/4	19	12	1-14	37	30
S050-12-14	3/4	19	12	1.3/16-12	35	36
S050-12-15	3/4	19	12	1.7/16-12	41	41
S050-16-15	1	25.4	16	1.7/16-12	39	41
S050-20-21	1.1/4	31.8	20	1.11/16-12	40	50
S050-24-32	1.1/2	38.1	24	2-12	41	60



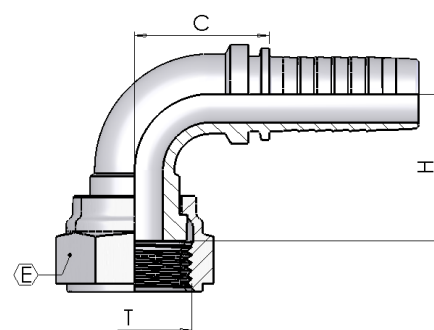
# S05T

## ORFS Female Back Hexagon



Part number	Hose I.D.		Dimensions				
			dash size	Thread T	Cut-Off C	Hex E	E1
S05T-04-06	1/4	6.4	04	9/16-18	30	17	15
S05T-06-09	3/8	9.5	06	11/16-16	34	22	17
S05T-08-11	1/2	12.7	08	13/16-16	37	24	19
S05T-10-13	5/8	15.9	10	1-14	41	30	24
S05T-12-14	3/4	19	12	1.3/16-12	42	36	30
S05T-16-15	1	25.4	16	1.7/16-12	50	41	36

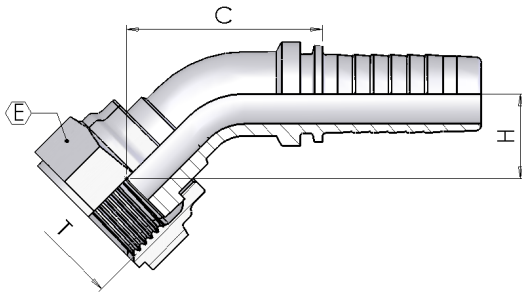
## ORFS 90° Swept Elbow



Part number	Hose I.D.		Dimensions				
			dash	Thread	Cut-Off	Hex	Drop
	in	mm	size	T	C	E	H
S150-04-06	1/4	6.4	04	9/16-18	25	19	26
S150-04-09	1/4	6.4	04	11/16-16	25	22	23
S150-05-09	5/16	7.9	05	11/16-16	29	22	32
S150-06-09	3/8	9.5	06	11/16-16	33	22	33
S150-06-11	3/8	9.5	06	13/16-16	33	24	32
S150-08-11	1/2	12.7	08	13/16-16	43	24	36
S150-08-13	1/2	12.7	08	1-14	39	30	40
S150-08-14	1/2	12.7	08	1.3/16-12	42	36	39
S150-10-13	5/8	15.9	10	1-14	47	30	39
S150-10-14	5/8	15.9	10	1.3/16-12	42	36	39
S150-12-13	3/4	19	12	1-14	42	30	39
S150-12-14	3/4	19	12	1.3/16-12	57	36	49
S150-12-15	3/4	19	12	1.7/16-12	56	41	51
S150-16-15	1	25.4	16	1.7/16-12	67	41	62
S150-16-21	1	25.4	20	1.11/16-12	62	50	58
S150-20-21	1.1/4	31.8	20	1.11/16-12	63	50	58
S150-24-32	1.1/2	38.1	24	2-12	80	60	73

# S250

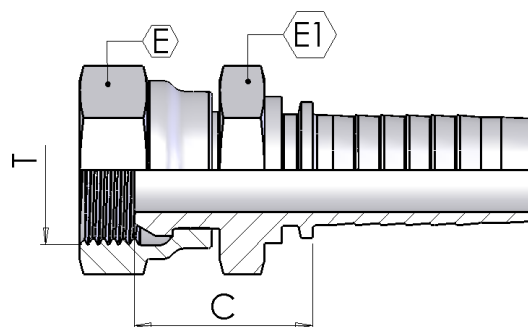
## ORFS 45° Swept Elbow



Part number	Hose I.D.		Dimensions				
			dash size	Thread T	Cut-Off C	Hex E	Drop H
	in	mm					
S250-04-06	1/4	6.4	04	9/16-18	40	19	14
S250-04-09	1/4	6.4	04	11/16-16	38	22	14
S250-05-09	5/16	7.9	05	11/16-16	44	22	14
S250-06-09	3/8	9.5	06	11/16-16	55	22	21
S250-06-11	3/8	9.5	06	13/16-16	51	24	18
S250-08-11	1/2	12.7	08	13/16-16	62	24	20
S250-08-13	1/2	12.7	08	1-14	64	30	23
S250-08-14	1/2	12.7	08	1.3/16-12	44	36	17
S250-10-13	5/8	15.9	10	1-14	67	30	22
S250-10-14	5/8	15.9	10	1.3/16-12	44	36	18
S250-12-13	3/4	19	12	1-14	40	30	15
S250-12-14	3/4	19	12	1.3/16-12	84	36	23
S250-12-15	3/4	19	12	1.7/16-12	84	41	26
S250-16-15	1	25.4	16	1.7/16-12	100	41	31
S250-20-21	1.1/4	31.8	20	1.11/16-12	125	50	44
S250-24-32	1.1/2	38.1	24	2-12	78	60	29

## 0920

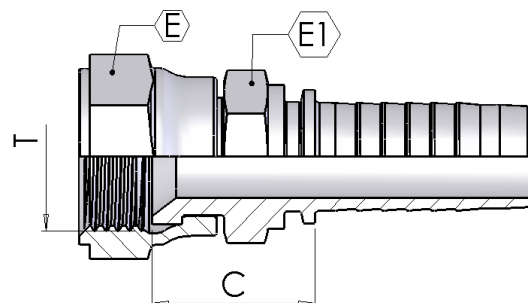
### JIS Female 60° cone (Nissan)



Part number	Hose I.D.		Dimensions				
			dash	Thread	Cut-Off	Hex	
	in	mm	size	T	C	E	E1
0920-04-04	1/4	6.4	04	1/4-19	23	19	19
0920-06-06	3/8	9.5	06	3/8-19	28	22	22
0920-08-08	1/2	12.7	08	1/2-14	27	27	27
0920-12-12	3/4	19	12	3/4-14	29	32	32
0920-16-16	1	25.4	16	1-11	31	38	38

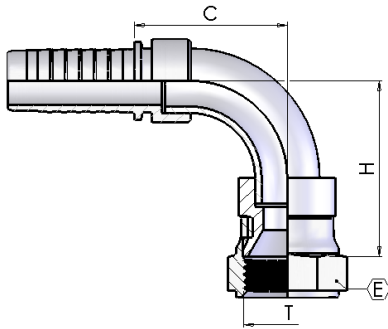
## 0930

### JIS Female 60° cone (Toyota)



Part number	Hose I.D.		Dimensions				
			dash	Thread	Cut-Off	Hex	
	in	mm	size	T	C	E	E1
0930-04-04	1/4	6.4	04	1/4-19	20	19	17
0930-06-06	3/8	9.5	06	3/8-19	22	22	19
0930-08-08	1/2	12.7	08	1/2-14	26	27	22
0930-12-12	3/4	19	12	3/4-14	29	32	30
0930-16-16	1	25.4	16	1-11	31	38	36
0930-20-20	1,1/4	31.8	20	1,1/4-11	35	50	46
0930-24-24	1,1/2	38.1	24	1,1/2-11	28	55	50

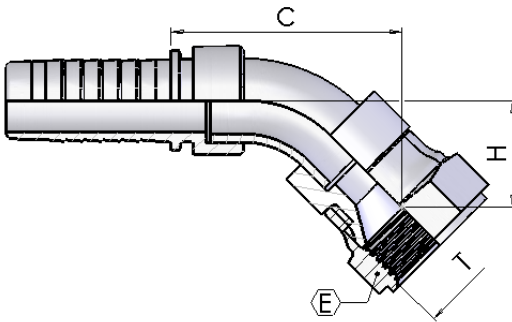
## 0980S



### 90° JIS Swept Elbow (Toyota) - welded

Part number	Hose I.D.		Dimensions				
			dash	Thread	Cut-Off	Hex	Drop
			size	T	C	E	H
0980S04-04	1/4	6.4	04	1/4-19	38	19	35
0980S06-06	3/8	9.5	06	3/8-19	27	22	30
0980S08-08	1/2	12.7	08	1/2-14	33	27	39
0980S12-12	3/4	19	12	3/4-14	48	32	55
0980S16-16	1	25.4	16	1-11	57	38	62
0980S20-20	1,1/4	31.8	20	1,1/4-11	63	50	65
0980S24-24	1,1/2	38.1	24	1,1/2-11	80	55	83

## 1030S

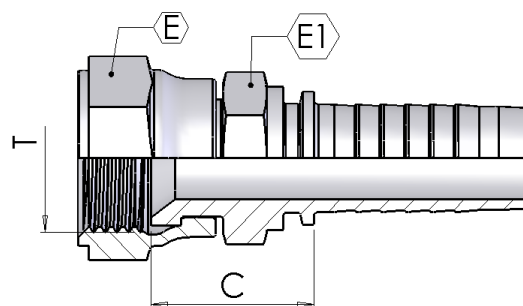


### 45° JIS Swept Elbow (Toyota) - welded

Part number	Hose I.D.		Dimensions				
			dash	Thread	Cut-Off	Hex	Drop
			size	T	C	E	H
1030S04-04	1/4	6.4	04	1/4-19	44	19	18
1030S05-06	5/16	7.9	05	3/8-19	38	22	18
1030S06-06	3/8	9.5	06	3/8-19	38	22	18
1030S08-08	1/2	12.7	08	1/2-14	40	27	20
1030S12-12	3/4	19	12	3/4-14	56	32	26
1030S16-16	1	25.4	16	1-11	72	38	33
1030S20-20	1,1/4	31.8	20	1,1/4-11	67	50	29
1030S24-24	1,1/2	38.1	24	1,1/2-11	85	55	36

## 0940

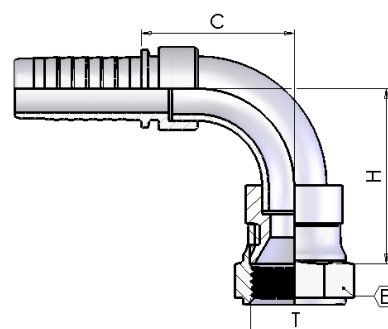
### JIS Female 60° Cone (Komatsu)



Part number	Hose I.D.		Dimensions				
			dash	Thread	Cut-Off	Hex	
	in	mm	size	T	C	E	E1
0940-04-14	1/4	6.4	04	M14x1,5	22	19	17
0940-05-16	5/16	7.9	05	M16x1,5	22	22	17
0940-06-14	3/8	9.5	06	M14x1,5	22	19	17
0940-06-18	3/8	9.5	06	M18x1,5	21	24	19
0940-08-22	1/2	12.7	08	M22x1,5	27	27	22
0940-10-24	5/8	15.9	10	M24x1,5	26	30	27
0940-12-30	3/4	19	12	M30x1,5	30	36	30
0940-16-33	1	25.4	16	M33x1,5	33	41	36
0940-20-36	1.1/4	31.8	20	M36x1,5	37	46	46
0940-24-42	1.1/2	38.1	24	M42x1,5	38	50	50

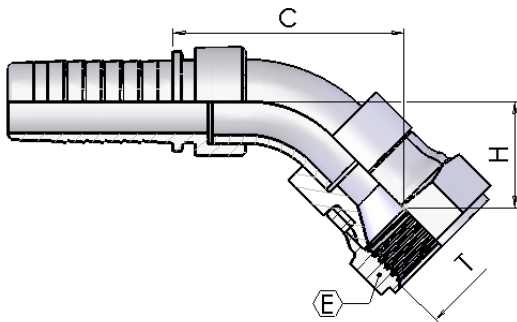
## 0990S

### 90° JIS Swept Elbow (Komatsu) - welded



Part number	Hose I.D.		Dimensions				
			dash	Thread	Cut-Off	Hex	Drop
	in	mm	size	T	C	E	H
0990S04-14	1/4	6.4	04	M14x1,5	38	19	35
0990S05-16	5/16	7.9	05	M16x1,5	27	22	30
0990S06-14	3/8	9.5	06	M14x1,5	31	19	33
0990S06-18	3/8	9.5	06	M18x1,5	31	24	33
0990S08-22	1/2	12.7	08	M22x1,5	33	27	39
0990S10-24	5/8	15.9	10	M24x1,5	42	30	48
0990S12-30	3/4	19	12	M30x1,5	48	36	43
0990S16-33	1	25.4	16	M33x1,5	57	41	62

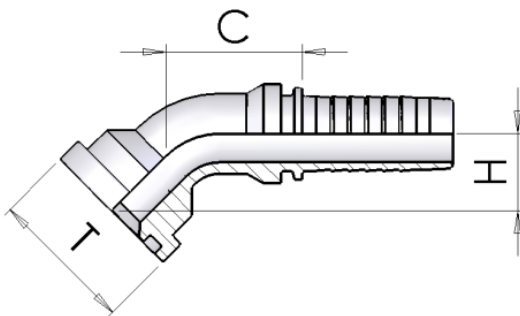
## 1040S



### 45° JIS Swept Elbow (Komatsu) - welded

Part number	Hose I.D.		Dimensions				
			dash size	Thread T	Cut-Off C	Hex E	Drop H
	in	mm					
1040S-04-14	1/4	6.4	04	M14-1.5	44	19	18
1040S05-16	5/16	7.9	05	M16-1.5	38	22	18
1040S06-14	3/8	9.5	06	M14-1.5	41	19	18
1040S06-18	3/8	9.5	06	M18-1.5	43	24	18
1040S08-22	1/2	12.7	08	M22-1.5	40	27	20
1040S10-24	5/8	15.9	10	M24-1.5	50	30	26
1040S12-30	3/4	19	12	M30-1.5	56	36	26
1040S16-33	1	25.4	16	M33-1.5	65	41	33

## 1150

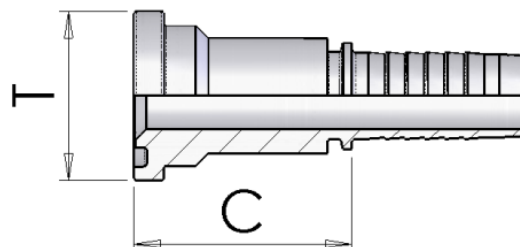


### Komatsu Flange 45°

Part number	Hose I.D.		Dimensions			
			dash size	Flange T	Cut-Off C	
	in	mm				
1150-10-10	5/8		10	5/8	34	23

# 1250

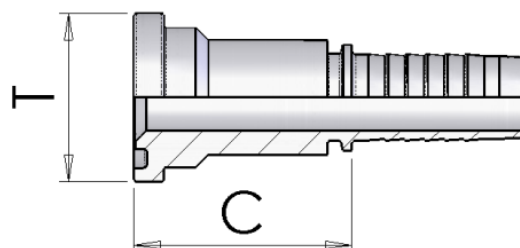
## Komatsu Flange - Straight



Part number	Hose I.D.	Dimensions			
		dash size	Flange T	mm	Cut-Off C
1250-10-10	5/8	10	5/8	34	56

# 1260

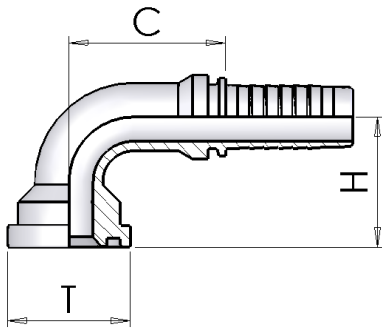
## Straight SAE Flange 3000 PSI



Part number	Hose I.D.	Dimensions			
		dash size	Flange T	mm	Cut-Off C
1260-08-08	1/2	08	1/2	30,2	45
1260-08-12	1/2	08	3/4	38.1	50
1260-10-08	5/8	10	1/2	30,2	45
1260-10-12	5/8	10	3/4	38.1	49
1260-12-12	3/4	12	3/4	38.1	50
1260-12-16	3/4	12	1	44.5	53
1260-16-16	1	16	1	44.5	54
1260-16-20	1	16	1.1/4	50.8	57
1260-20-20	1.1/4	20	1.1/4	50.8	59
1260-20-24	1.1/4	20	1.1/2	60.3	62
1260-24-24	1.1/2	24	1.1/2	60.3	62
1260-24-32	1.1/2	24	2	71.4	67
1260-32-32	2	32	2	71.4	68
1260-32-40	2	32	2.1/2	84.1	76
1260-40-40	2.1/2	40	2.1/2	84	76
1260-48-48	3	48	3	102	63

# 1060

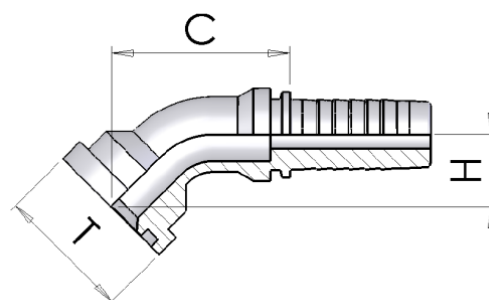
## 90° SAE Flange 3000 PSI



Part number	Hose I.D.	Dimensions			
		dash size	Flange T	mm	Cut-Off C
1060-08-08	1/2	08	1/2	30,2	39
1060-08-12	1/2	08	3/4	38.1	39
1060-10-08	5/8	10	1/2	30,2	45
1060-10-12	5/8	10	3/4	38.1	45
1060-12-12	3/4	12	3/4	38.1	56
1060-12-16	3/4	12	1	44.5	56
1060-16-16	1	16	1	44.5	70
1060-16-20	1	16	1.1/4	50.8	70
1060-16-24	1	16	1.1/2	60.3	72
1060-20-16	1.1/4	20	1	44.5	81
1060-20-20	1.1/4	20	1.1/4	50.8	86
1060-20-24	1.1/4	20	1.1/2	60.3	85
1060-24-24	1.1/2	24	1.1/2	60.3	98
1060-24-32	1.1/2	24	2	71.4	93
1060-32-32	2	32	2	71.4	123

1160

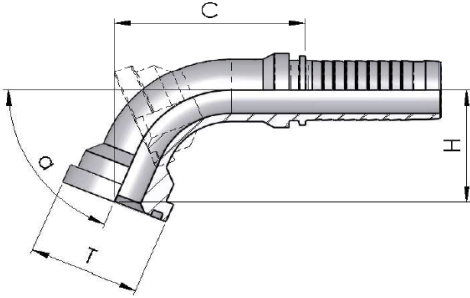
## 45° SAE Flange 3000 PSI



Part number	Hose I.D.	Dimensions				
		dash	Flange		Cut-Off	Drop
	in	size	T	mm	C	H
1160-08-08	1/2	08	1/2	30.2	62	22
1160-08-12	1/2	08	3/4	38.1	67	25
1160-12-12	3/4	12	3/4	38.1	69	27
1160-12-16	3/4	12	1	44.5	88	30
1160-16-16	1	16	1	44.5	82	33
1160-20-20	1.1/4	20	1.1/4	50.8	102	38
1160-20-24	1.1/4	20	1.1/2	60.3	129	39
1160-24-24	1.1/2	24	1.1/2	60.3	114	44
1160-24-32	1.1/2	24	2	71.4	148	47
1160-32-32	2	32	2	71.4	130	58

# 1060\_

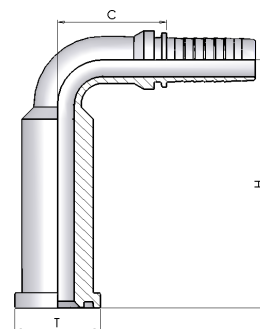
## 22.5°/30°/60°/67.5° SAE Flange 3000 PSI



Part number	Hose I.D.	Dimensions			
		dash size	Flange T	mm	Cut-Off C
	in				
1060-12-12 22.5	3/4	12	3/4	38.1	76
1060-16-16 22.5	1	16	1	44.5	89
1060-20-20 22.5	1.1/4	20	1.1/4	50.8	111
1060-24-24 22.5	1.1/2	24	1.1/2	60.3	124
1060-32-32 22.5	2	32	2	71.4	144
1060-12-12 30	3/4	12	3/4	38.1	75
1060-16-16 30	1	16	1	44.5	87
1060-20-20 30	1.1/4	20	1.1/4	50.8	109
1060-24-24 30	1.1/2	24	1.1/2	60.3	122
1060-32-32 30	2	32	2	71.4	142
1060-12-12 60	3/4	12	3/4	38.1	76
1060-16-16 60	1	16	1	44.5	95
1060-20-20 60	1.1/4	20	1.1/4	50.8	116
1060-24-24 60	1.1/2	24	1.1/2	60.3	138
1060-32-32 60	2	32	2	71.4	170
1060-12-12 67.5	3/4	12	3/4	38.1	72
1060-16-16 67.5	1	16	1	44.5	91
1060-20-20 67.5	1.1/4	20	1.1/4	50.8	110
1060-24-24 67.5	1.1/2	24	1.1/2	60.3	131
1060-32-32 67.5	2	32	2	71.4	158

## FS3L

### 90° SAE Flange 3000 Psi - Long Drop

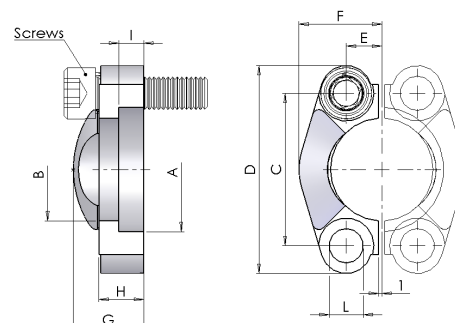


Part number	Hose I.D.	Dimensions			
		dash size	Flange T	mm	Cut-Off C
FS3L-08-08	1/2	08	1/2	30.2	39
FS3L-12-12	3/4	12	3/8	38.1	56
FS3L-16-16	1	16	1	44.5	70
FS3L-20-20	1.1/4	20	1.1/4	50.8	85
FS3L-24-24	1.1/2	24	1.1/2	60.3	99

## S003

### Cut Split Flanges - 3000 psi

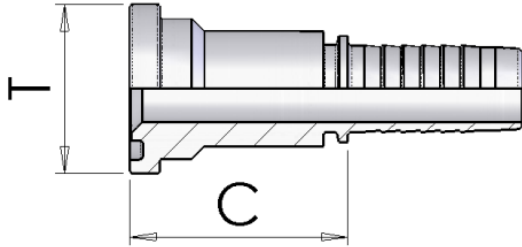
This product is sold in pairs



Part number	Dimensions										
	A	B	C	D	Hex E	F	G	I	L	Drop H	Sae SIZE
S003-08	30.96	24.3	38.1	54	8.7	22.8	19	6.2	88	13	1/2"
S003-12	38.89	32.1	47.6	65	11.1	25.9	22	6.2	108	14	3/4"
S003-16	45.24	38.5	52.4	70	13.1	29.2	24	7.5	108	16	1"
S003-20	51.59	43.7	58.7	79	15.1	36.3	22	7.5	12	14	1.1/4"
S003-24	61.09	50.8	69.9	94	17.9	41.1	25	7.5	135	16	1.1/2"
S003-32	72.24	62.7	77.8	102	21.4	48.2	26	9	135	16	2"
S003-40	84.94	74.9	88.9	114	25.4	54.1	38	9	135	19	2.1/2"
S003-48	102.4	90.9	106.4	135	31	65.3	41	9	17	22	3"

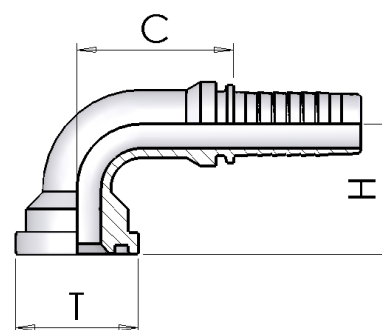
# 1310

## Straight SAE Flange 6000 PSI



Part number	Hose I.D.	Dimensions			
		dash size	Flange T	mm	Cut-Off C
1310-08-08	1/2	08	1/2	31,8	46
1310-08-12	1/2	08	3/4	41.3	53
1310-10-08	5/8	10	1/2	31,8	46
1310-10-12	5/8	10	3/4	41.3	53
1310-10-16	5/8	10	1	47.6	59
1310-12-12	3/4	12	3/4	41.3	54
1310-12-16	3/4	12	1	47.6	60
1310-16-12	1	16	3/4	41.3	55
1310-16-16	1	16	1	47.6	61
1310-16-20	1	16	1.1/4	54	68
1310-20-20	1.1/4	20	1.1/4	54	70
1310-20-24	1.1/4	20	1.1/2	63.5	76
1310-24-24	1.1/2	24	1.1/2	63.5	76
1310-24-32	1.1/2	24	2	79.4	85
1310-32-32	2	32	2	79.4	85

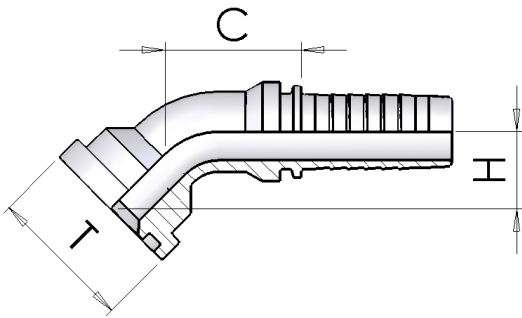
## 90° SAE Flange 6000 PSI



Part number	Hose I.D.	Dimensions			
		dash size	Flange T	mm	Cut-Off C
1110-08-08	1/2	08	1/2	31.8	39
1110-08-12	1/2	08	3/4	41.3	39
1110-10-08	5/8	10	1/2	31.8	45
1110-10-12	5/8	10	3/4	41.3	44
1110-10-16	5/8	10	1	47.6	45
1110-12-08	3/4	12	1/2	31.8	56
1110-12-12	3/4	12	3/4	41.3	56
1110-12-16	3/4	12	1	47.6	56
1110-16-12	1	16	3/4	41.3	68
1110-16-16	1	16	1	47.6	70
1110-16-20	1	16	1.1/4	54	71
1110-20-20	1.1/4	20	1.1/4	54	97
1110-20-24	1.1/4	20	1.1/2	63.5	97
1110-24-24	1.1/2	24	1.1/2	63.5	102
1110-24-32	1.1/2	24	2	79.4	103
1110-32-32	2	32	2	79.4	125

# 1210

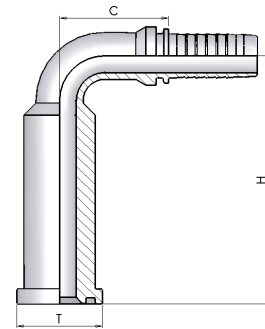
## 45° SAE Flange 6000 PSI



Part number	Hose I.D.	Dimensions			
		dash size	Flange T	mm	Cut-Off C
1210-08-08	1/2	08	1/2	31.8	62
1210-08-12	1/2	08	3/4	41.3	69
1210-10-08	5/8	10	1/2	31.8	66
1210-10-12	5/8	10	3/4	41.3	75
1210-10-16	5/8	10	1	47.6	77
1210-12-12	3/4	12	3/4	41.3	74
1210-12-16	3/4	12	1	47.6	90
1210-16-12	1	16	3/4	41.3	101
1210-16-16	1	16	1	47.6	86
1210-16-20	1	16	1.1/4	54	112
1210-20-20	1.1/4	20	1.1/4	54	107
1210-20-24	1.1/4	20	1.1/2	63.5	149
1210-24-24	1.1/2	24	1.1/2	63.5	122
1210-24-32	1.1/2	24	2	79.4	163
1210-32-32	2	32	2	79.4	145

# FS6L

## 90° SAE Flange 6000 Psi - Long Drop

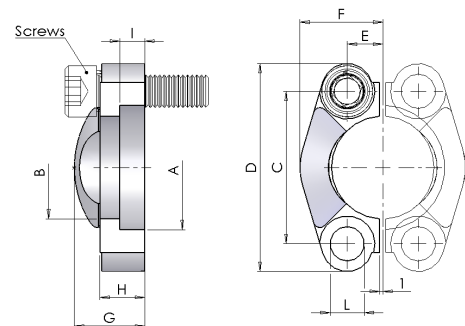


Part number	Hose I.D.	Dimensions			
		dash size	Flange T	mm	Cut-Off C
FS6L-08-08	1/2	08	1/2	32	40
FS6L-12-12	3/4	12	3/4	41.3	56
FS6L-16-16	1	16	1	47.6	70
FS6L-20-20	1.1/4	20	1.1/4	54	82
FS6L-24-24	1.1/2	24	1.1/2	63.5	99

# S006

## Cut Split Flanges - 6000 psi

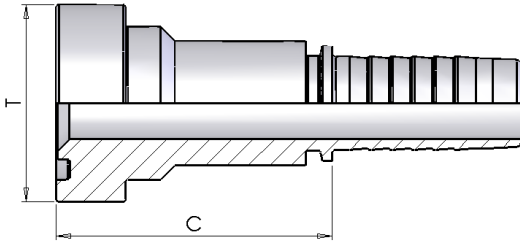
This product is sold in pairs



Part number	Dimensions										
	A	B	C	D	Hex E	F	G	I	L	Drop H	Sae SIZE
S006-08	32.54	24.6	40.5	56	9.1	23.6	22	7.2	88	16	1/2"
S006-12	42.06	32.5	50.8	71	11.9	30	28	8.3	11	19	3/4"
S006-16	48.41	38.9	57.2	81	13.9	34.8	33	9	13	24	1"
S006-20	54.76	44.5	66.7	95	15.9	38.6	38	9.8	15	27	1 1/4"
S006-24	64.29	51.6	79.4	113	18.3	47.5	43	12.1	17	30	1 1/2"
S006-32	80.16	67.6	96.8	133	22.2	56.9	52	12.1	21	37	2"

# 130S

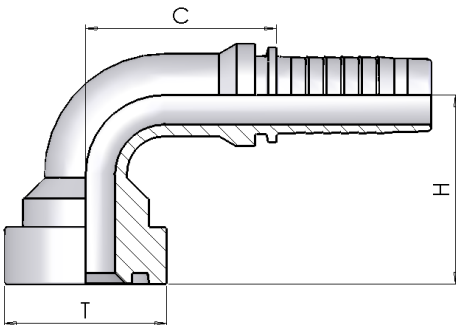
## Straight 'CAT' Flange



Part number	Hose I.D.		Dimensions			
			dash	Flange		Cut-Off
	in	mm	size	T	mm	C
130S-12-12	3/4	19	12	3/4	41.3	58
130S-12-16	3/4	19	12	1	47.6	64
130S-16-16	1	25.4	16	1	47.6	65
130S-16-20	1	25.4	16	1.1/4	54	73
130S-20-20	1.1/4	31.8	20	1.1/4	54	74
130S-20-24	1.1/4	31.8	20	1.1/2	63.5	78
130S-24-24	1.1/2	38.1	24	1.1/2	63.5	80

# 110S

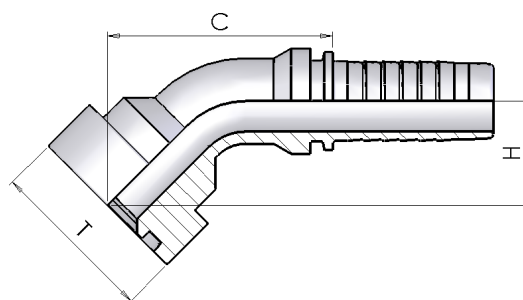
## 90° 'CAT' Flange



Part number	Hose I.D.		Dimensions				
			dash	Flange		Cut-Off	Drop
	in	mm	size	T	mm	C	H
110S-12-12	3/4	19	12	3/4	41.3	56	62
110S-12-16	3/4	19	12	1	47.6	56	65
110S-16-16	1	25.4	16	1	47.6	78	74
110S-16-20	1	25.4	16	1.1/4	54	78	80
110S-20-20	1.1/4	31.8	20	1.1/4	54	97	90
110S-20-24	1.1/4	31.8	20	1.1/2	63.5	96	95
110S-24-24	1.1/2	38.1	24	1.1/2	63.5	115	104

# 120S

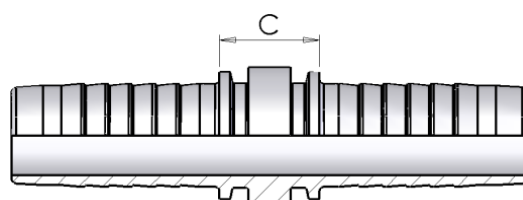
## 45° 'CAT' Flange



Part number	Hose I.D.		Dimensions				
			dash size	Flange T	mm	Cut-Off C	Drop H
	in	mm					
120S-12-12	3/4	19	12	3/4	41.3	88	32
120S-12-16	3/4	19	12	1	47.6	93	37
120S-16-16	1	25.4	16	1	47.6	118	40
120S-16-20	1	25.4	16	1.1/4	54	122	44
120S-20-20	1.1/4	31.8	20	1.1/4	54	146	44
120S-20-24	1.1/4	31.8	20	1.1/2	63.5	149	48
120S-24-24	1.1/2	38.1	24	1.1/2	63.5	172	52

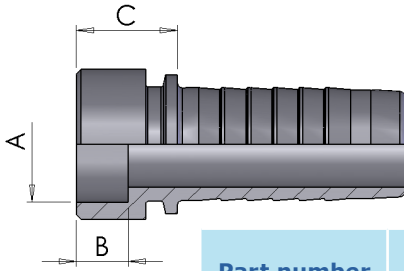
# D050

## Hose Junction



Part number	Hose I.D.		Dimensions	
			dash size	Cut-Off C
	in	mm		
D050-03	3/16	4.8	03	17
D050-04	1/4	6.4	04	17
D050-05	5/16	7.9	05	17
D050-06	3/8	9.5	06	17
D050-08	1/2	12.7	08	18
D050-10	5/8	15.9	10	18
D050-12	3/4	19	12	19
D050-16	1	25.4	16	21
D050-20	1.1/4	31.8	20	24
D050-24	1.1/2	38.1	24	24
D050-32	2	50.8	32	26

# GS00



## Weldable Fitting

without zinc plating

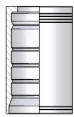
Part number	Hose I.D.		Dimensions			
			dash	Cut-Off		
	in	mm	size	C	A	B
GS00-03-06	3/16	4,8	03	12	06	6
GS00-03-08	3/16	4,8	03	12	08	6
GS00-04-06	1/4	6.4	04	14	06	6
GS00-04-08	1/4	6.4	04	14	08	6
GS00-04-10	1/4	6.4	04	15	10	6
GS00-04-12	1/4	6.4	04	17	12	7
GS00-05-08	5/16	7,9	05	14	08	6
GS00-05-10	5/16	7,9	05	14	10	6
GS00-05-12	5/16	7,9	05	14	12	6
GS00-06-06	3/8	9.5	06	15	06	6
GS00-06-08	3/8	9.5	06	15	08	6
GS00-06-10	3/8	9.5	06	14	10	6
GS00-06-12	3/8	9.5	06	15	12	7
GS00-06-14	3/8	9.5	06	15	14	8
GS00-06-15	3/8	9.5	06	14	15	7
GS00-08-12	1/2	12.7	08	15	12	7
GS00-08-14	1/2	12.7	08	15	14	8
GS00-08-15	1/2	12.7	08	15	15	7
GS00-08-16	1/2	12.7	08	15	16	7
GS00-08-18	1/2	12.7	08	15	18	7
GS00-08-20	1/2	12.7	08	18	20	9
GS00-10-12	5/8	15.9	10	15	12	7
GS00-10-16	5/8	15.9	10	16	16	8
GS00-10-18	5/8	15.9	10	16	18	8
GS00-10-20	5/8	15.9	10	18	20	9
GS00-10-22	5/8	15.9	10	18	22	9
GS00-12-16	3/4	19	12	16	16	8
GS00-12-18	3/4	19	12	16	18	8
GS00-12-20	3/4	19	12	18	20	9
GS00-12-22	3/4	19	12	18	22	9
GS00-12-25	3/4	19	12	19	25	9
GS00-12-32	3/4	19	12	20	32	9
GS00-16-25	1	25.4	16	19	25	9
GS00-16-28	1	25.4	16	20	28	9
GS00-16-30	1	25.4	16	20	30	9
GS00-16-32	1	25.4	16	20	32	9
GS00-16-38	1	25.4	16	26	38	11
GS00-20-30	1.1/4	31.8	20	21	30	9
GS00-20-32	1.1/4	31.8	20	21	32	9
GS00-20-35	1.1/4	31.8	20	23	35	11
GS00-20-38	1.1/4	31.8	20	24	38	11
GS00-24-32	1.1/2	38.1	24	23	32	9
GS00-24-38	1.1/2	38.1	24	23	38	11
GS00-24-42	1.1/2	38.1	24	23	42	10
GS00-24-50	1.1/2	38.1	24	23	50	10
GS00-32-50	2	50.8	32	23	50	10

# Inter-lock Tail





**004N**



Swaged Ferrule  
(skive)

103

**0013**



Swaged Ferrule  
(skive)

113



**0370H**



NPTF Male 60° cone

104



**0350H**



BSP Male Parallel 60°  
cone

104

**0050H**



BSP Female 60° cone  
Thrust Wire

105

**0150H**



BSP 90° Swept Elbow  
60° cone Thrust Wire

105

**0250H**



BSP 45° Swept Elbow  
60° cone Thrust Wire

106



**0850H**



JIC Male 74° cone

106



**0900H**



JIC Female 74° cone  
Thrust Wire

107

**0950H**



JIC 90° Swept Elbow  
74° cone Thrust Wire

107

**1000H**



JIC 45° Swept Elbow  
74° cone Thrust Wire

108



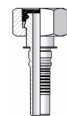
**0450H**



Metric Male 24° Seat  
Heavy

108

**0084H**



Metric Female 24°  
Seat Heavy

109



**0184H**



90° Metric Swept El-  
bow 24° Seat Heavy

109

**0284H**



45° Metric Swept El-  
bow 24° Seat Heavy

101



**S050H**



ORFS Female

110

**S05TH**



ORFS Female Back  
Hexagon

111

**S150H**



ORFS 90° Swept Elbow

111

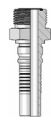
**S250H**



ORFS 45° Swept Elbow

112

**S350H**



ORFS Male

112



**1250H**



Straight SAE Flange 3000 PSI

113

**1050H**



90° SAE Flange 3000 PSI

113

**1150H**



45° SAE Flange 3000 PSI

114

**1300H**



Straight SAE Flange 6000 PSI

114

**1100H**



90° SAE Flange 6000 PSI

115

**1200H**



45° SAE Flange 6000 PSI

115

**Super CAT**

**130SH**



Straight 'CAT' Flange

116

**110SH**



90° 'CAT' Flange

116

**120SH**

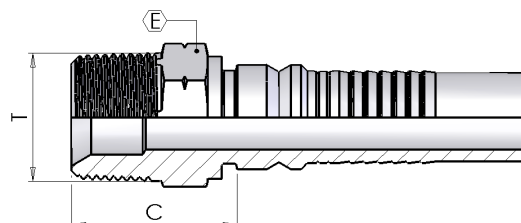


45° 'CAT' Flange

117

## 0370H

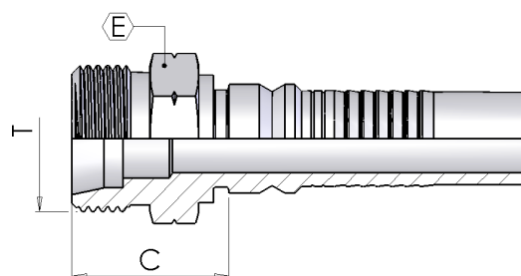
### NPTF Male 60° Cone



Part number	Hose I.D.		Dimensions			
	in	mm	Dash size	Thread T	Hex E	Cut-Off C
0370H12-12	3/4	19.0	12	3/4-14	27	35
0370H16-16	1	25.4	16	1-11.1/2	36	41
0370H20-20	1.1/4	31.8	20	1.1/4-11.1/2	46	44
0370H24-24	1.1/2	38.1	24	1.1/2-11.1/2	50	47
0370H32-32	2	50.8	32	2-11.1/2	65	54

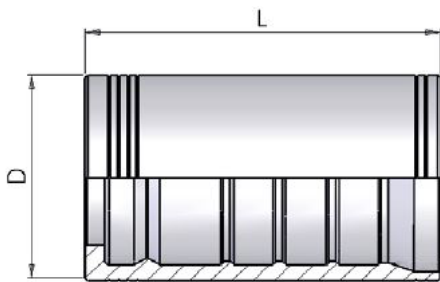
## 0350H

### BSP Male Parallel 60° Cone



Part number	Hose I.D.		Dimensions			
	in	mm	Dash size	Thread T	Hex E	Cut-Off C
0350H12-12	3/4	19.0	12	3/4-14	32	33
0350H12-16	3/4	19.0	12	1-11	41	36
0350H16-16	1	25.4	16	1-11	41	37
0350H16-20	1	25.4	16	1.1/4-11	50	41
0350H20-20	1.1/4	31.8	20	1.1/4-11	50	42
0350H24-24	1.1/2	38.1	24	1.1/2-11	55	44
0350H32-32	2	50.8	32	2-11	70	53

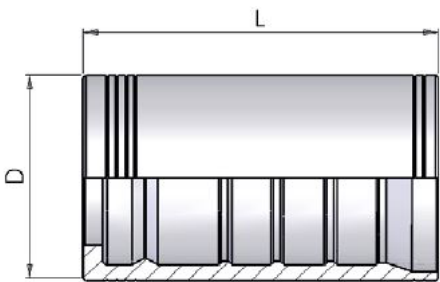
## 004N



### Swaged Ferrule (Skive)

Part number	Hose I.D.		Dimensions		Skive
	in	mm	D	L	Length
004N-12	3/4	19.0	38	60	52/15
004N-16	1	25.4	46	74.5	64/17
004N-20	1.1/4	31.8	55	88	74/22
004N-24	1.1/2	38.1	62	94	81/22,5
004N-32	2	50.8	78	99	85/30

## 0013

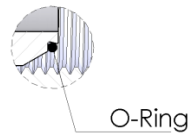
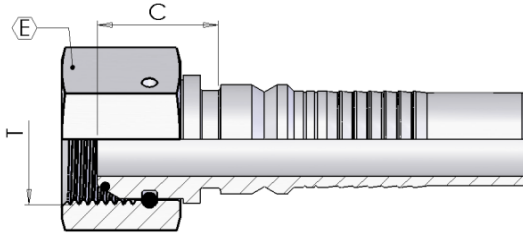


### Swaged Ferrule (Skive)

Part number	Hose I.D.		Dimensions		Skive
	in	mm	D	L	Length
0013-10	5/8	15.9	35.5	57.5	47/15
0013-16	1	25.4	48	75	64/17
0013-20	1.1/4	31.8	60	88	74/22
0013-24	1.1/2	38.1	67	94	81/22,5
0013-32	2	50.8	84.5	99	85/30

# 0050H

## BSP Female 60° Cone - Thrust Wire

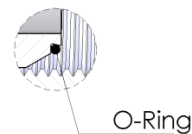
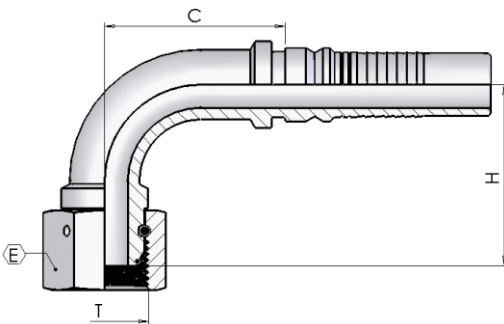


(\*)- BSP female with O-Ring

Part number	Hose I.D.		Dimensions			
	in	mm	Dash size	Thread T	Hex E	Cut-Off C
(*) 0050H12-12	3/4	19.0	12	3/4-14	32	23
(*) 0050H12-16	3/4	19.0	12	1-11	38	25
(*) 0050H16-16	1	25.4	16	1-11	38	26
(*) 0050H20-20	1.1/4	31.8	20	1.1/4-11	50	29
(*) 0050H20-24	1.1/4	31.8	20	1.1/2-11	55	31
(*) 0050H24-24	1.1/2	38.1	24	1.1/2-11	55	31
(*) 0050H32-32	2	50.8	32	2-11	70	30

# 0150H

## BSP 90° Swept Elbow 60° Cone - Thrust Wire



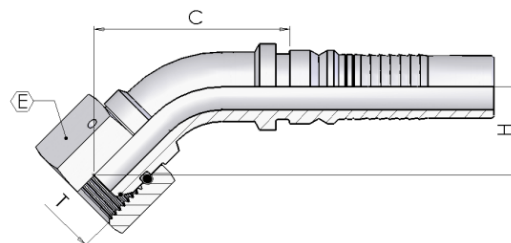
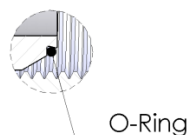
(\*)- BSP female with O-Ring

Part number	Hose I.D.		Dimensions				
	in	mm	Dash size	Thread T	Hex E	Drop H	Cut-Off C
(*) 0150H12-12	3/4	19.0	12	3/4-14	32	57	54
(*) 0150H16-16	1	25.4	16	1-11	38	70	73
(*) 0150H16-20	1	25.4	16	1.1/4-11	50	76	73
(*) 0150H20-20	1.1/4	31.8	20	1.1/4-11	50	83	93
(*) 0150H24-24	1.1/2	38.1	24	1.1/2-11	55	104	111
(*) 0150H32-32	2	50.8	32	2-11	70	135	122

## 0250H

### BSP 45° Swept Elbow 60° Cone - Thrust Wire

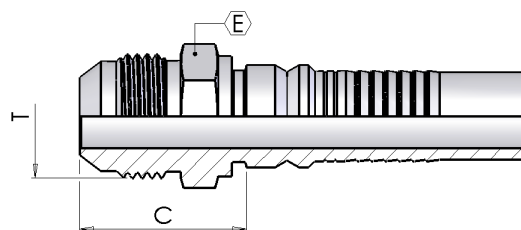
(\*)- BSP female with O-Ring



Part number	Hose I.D.		Dimensions				
	in	mm	Dash size	Thread T	Hex E	Drop H	Cut-Off C
(*) 0250H12-12	3/4	19.0	12	3/4-14	32	28	84
(*) 0250H16-16	1	25.4	16	1-11	38	38	112
(*) 0250H20-20	1.1/4	31.8	20	1.1/4-11	50	41	137
(*) 0250H24-24	1.1/2	38.1	24	1.1/2-11	55	54	166
(*) 0250H32-32	2	50.8	32	2-11	70	70	195

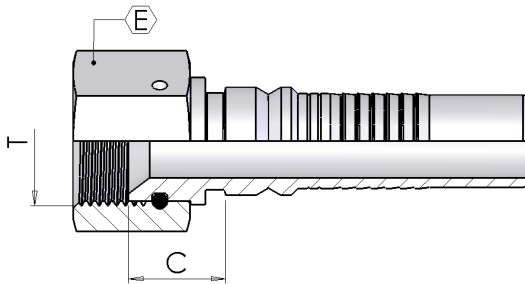
## 0850H

### JIC Male 74° Cone



Part number	Hose I.D.		Dimensions			
	in	mm	Dash size	Thread T	Hex E	Cut-Off C
0850H12-12	3/4	19.0	12	1.1/16-12	27	36
0850H16-16	1	25.4	16	1.5/16-12	34	40
0850H20-20	1.1/4	31.8	20	1.5/8-12	42	44
0850H24-24	1.1/2	38.1	24	1.7/8-12	50	49
0850H32-32	2	50.8	32	2.1/2-12	65	61

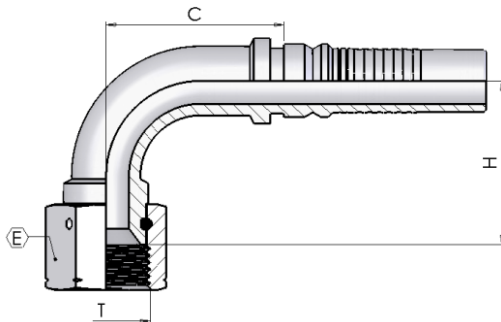
## 0900H



### JIC Female 74° Cone - Thrust Wire

Part number	Hose I.D.		Dimensions			
	in	mm	Dash size	Thread T	Hex E	Cut-Off C
0900H12-12	3/4	19.0	12	1.1/16-12	32	19
0900H12-16	3/4	19.0	12	1.5/16-12	41	22
0900H16-16	1	25.4	16	1.5/16-12	41	23
0900H20-20	1.1/4	31.8	20	1.5/8-12	50	26
0900H24-24	1.1/2	38.1	24	1.7/8-12	55	29
0900H32-32	2	50.8	32	2.1/2-12	70	30

## 0950H

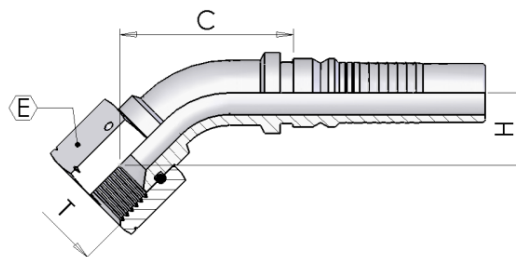


### JIC 90° Swept Elbow 74° Cone - Thrust Wire

Part number	Hose I.D.		Dimensions				
	in	mm	Dash size	Thread T	Hex E	Drop H	Cut-Off C
0950H12-12	3/4	19.0	12	1.1/16-12	32	54	54
0950H12-16	3/4	19.0	12	1.5/16-12	41	62	54
0950H16-16	1	25.4	16	1.5/16-12	41	66	77
0950H20-20	1.1/4	31.8	20	1.5/8-12	50	86	92
0950H24-24	1.1/2	38.1	24	1.7/8-12	55	100	112
0950H32-32	2	50.8	32	2.1/2-12	70	134	121

## 1000H

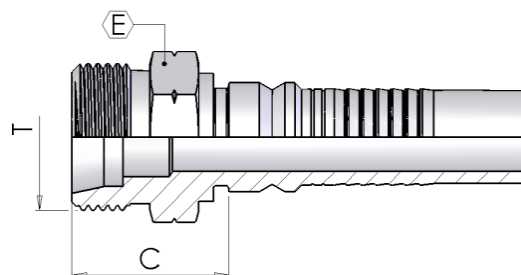
### JIC 45° Swept Elbow 74° Cone - Thrust Wire



Part number	Hose I.D.		Dimensions				
	in	mm	Dash size	Thread T	Hex E	Drop H	Cut-Off C
1000H12-12	3/4	19.0	12	1.1/16-12	32	28	85
1000H12-16	3/4	19.0	12	1.5/16-12	41	32	88
1000H16-16	1	25.4	16	1.5/16-12	41	36	113
1000H20-20	1.1/4	31.8	20	1.5/8-12	50	50	133
1000H24-24	1.1/2	38.1	24	1.7/8-12	55	49	165
1000H32-32	2	50.8	32	2.1/2-12	70	67	194

## 0450H

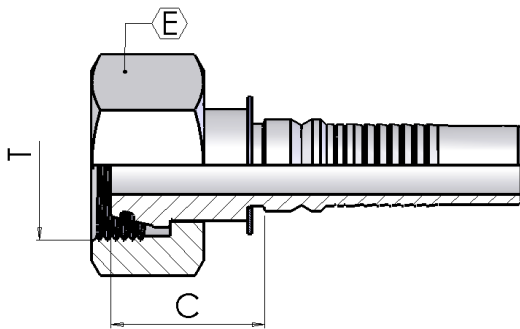
### Metric Male 24° - Seat Heavy



Part number	Hose I.D.		Dimensions				
	in	mm	Dash size	Thread T	Erm	Hex E	Cut-Off C
0450H12-36	3/4	19.0	12	M36-2	25	36	36
0450H16-42	1	25.4	16	M42-2	30	46	39
0450H20-52	1.1/4	31.8	20	M52-2	38	55	42
0450H24-52	1.1/2	38.1	24	M52-2	38	55	42.5

# 0084H

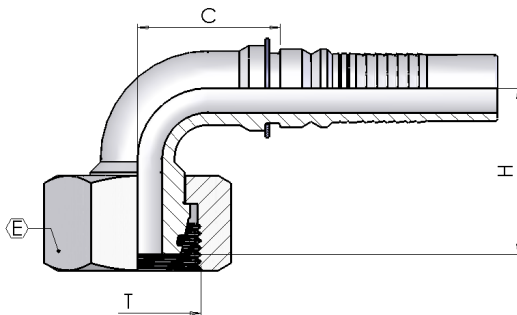
**Metric Female 24°  
- Seat Heavy**



Part number	Hose I.D.		Dimensions				
	in	mm	Dash size	Thread T	Erm	Hex E	Cut-Off C
0084H12-36	3/4	19.0	12	M36-2	25	46	37
0084H16-36	1	25.4	16	M36-2	25	46	38
0084H16-42	1	25.4	16	M42-2	30	50	41
0084H20-52	1.1/4	31.8	20	M52-2	38	60	41
0084H24-52	1.1/2	38.1	24	M52-2	38	60	42

# 0184H

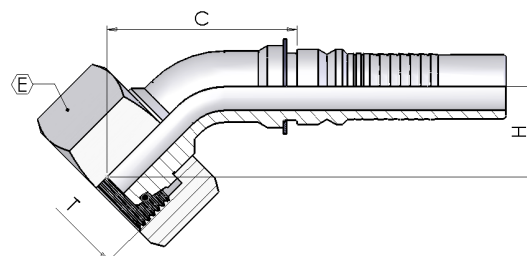
**90° Metric Swept Elbow 24°  
- Seat Heavy**



Part number	Hose I.D.		Dimensions					
	in	mm	Dash size	Thread T	Erm	Hex E	Drop H	Cut-Off C
0184H12-36	3/4	19.0	12	M36-2	25	46	58	55
0184H16-36	1	25.4	16	M36-2	25	46	68	75
0184H16-42	1	25.4	16	M42-2	30	50	69	74
0184H20-52	1.1/4	31.8	20	M52-2	38	60	81	94

## 0284H

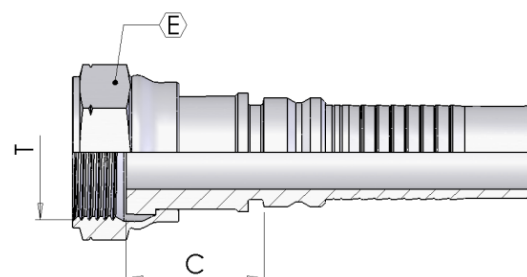
### 45° Metric Swept Elbow 24° - Seat Heavy



Part number	Hose I.D.		Dimensions					
	in	mm	Dash size	Thread T	Erm	Hex E	Drop H	Cut-Off C
0284H12-36	3/4	19.0	12	M36-2	25	46	31	94
0284H16-36	1	25.4	16	M36-2	25	46	34	110
0284H16-42	1	25.4	16	M42-2	30	50	33	112
0284H20-52	1.1/4	31.8	20	M52-2	38	60	81	93

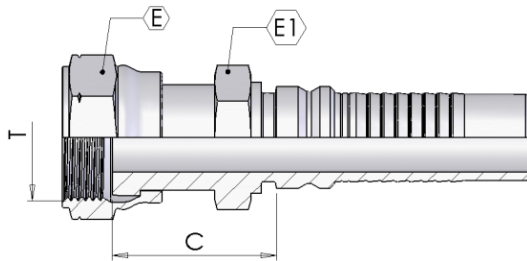
## S050H

### ORFS Female



Part number	Hose I.D.		Dimensions			
	in	mm	Dash size	Thread T	Hex E	Cut-Off C
S050H12-14	3/4	19.0	12	1.3/16-12	36	33
S050H16-15	1	25.4	16	1.7/16-12	41	37
S050H16-21	1	25.4	16	1.11/16-12	50	35.5
S050H20-21	1.1/4	31.8	20	1.11/16-12	50	37
S050H20-32	1.1/4	31.8	20	2-12	60	36.7
S050H24-32	1.1/2	38.1	24	2-12	60	41

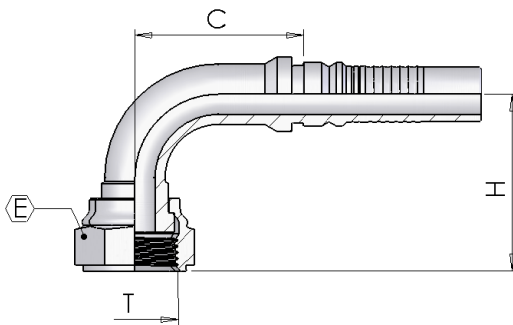
## S05TH



### ORFS Female Back Hexagon

Part number	Hose I.D.		Dimensions				
	in	mm	Dash size	Thread T	Hex E	Hex E1	Cut-Off C
S05TH12-14	3/4	19.0	12	1.3/16-12	36	30	39
S05TH16-15	1	25.4	16	1.7/16-12	41	36	47
S05TH20-21	1.1/4	31.8	20	1.11/16-12	50	46	50

## S150H

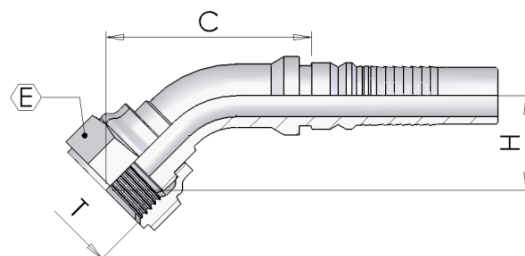


### ORFS 90° Swept Elbow

Part number	Hose I.D.		Dimensions				
	in	mm	Dash size	Thread T	Hex E	Drop H	Cut-Off C
S150H12-14	3/4	19.0	12	1.3/16-12	36	49	54
S150H16-15	1	25.4	16	1.7/16-12	41	66	69
S150H20-21	1.1/4	31.8	20	1.11/16-12	50	80	87
S150H24-32	1.1/2	38.1	24	2-12	60	102	111

## S250H

### ORFS 45° Swept Elbow

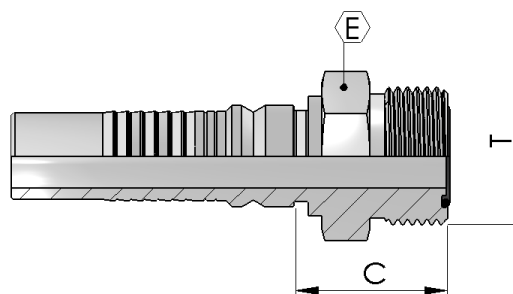


Part number	Hose I.D.		Dimensions				
	in	mm	Dash size	Thread T	Hex E	Drop H	Cut-Off C
S250H12-14	3/4	19.0	12	1.3/16-12	36	23	84
S250H16-15	1	25.4	16	1.7/16-12	41	33	107
S250H20-21	1.1/4	31.8	20	1.11/16-12	50	37	130
S250H24-32	1.1/2	38.1	24	2-12	60	50	165

Dado Libero

## S350H

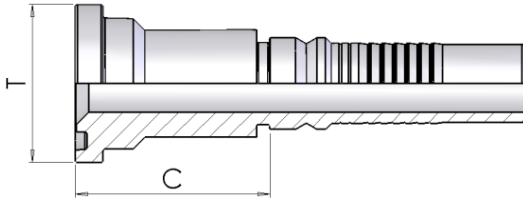
### ORFS Male



Part number	Hose I.D.		Dimensions			
	in	mm	Dash size	Thread T	Hex E	Cut-Off C
S350H12-14	3/4	19.0	12	1.3/16-12	32	34
S350H16-15	1	25.4	16	1.7/16-12	38	35
S350H20-21	1.1/4	31.8	20	1.11/16-12	46	36

# 1250H

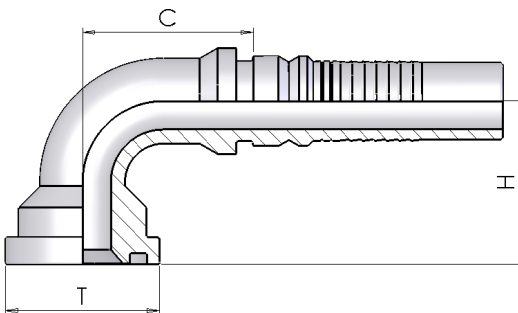
## Straight SAE Flange 3000 PSI



Part number	Hose I.D.		Dimensions			
	in	mm	Dash size	Flange		Cut-Off C
				T	mm	
1250H12-12	3/4	19.0	12	3/4	38.1	47
1250H12-16	3/4	19.0	12	1	44.5	50
1250H16-16	1	25.4	16	1	44.5	52
1250H16-20	1	25.4	16	1.1/4	50.8	55
1250H20-20	1.1/4	31.8	20	1.1/4	50.8	56
1250H20-24	1.1/4	31.8	20	1.1/2	60.3	59
1250H24-24	1.1/2	38.1	24	1.1/2	60.3	60
1250H24-32	1.1/2	38.1	24	2	71.4	65
1250H32-32	2	50.8	32	2	71.4	67

# 1050H

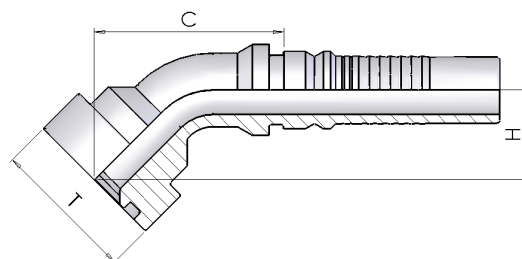
## 90° SAE Flange 3000 PSI



Part number	Hose I.D.		Dimensions				
	in	mm	Dash size	Flange		Drop H	Cut-Off C
				T	mm		
1050H12-12	3/4	19.0	12	3/4	38.1	52	52
1050H12-16	3/4	19.0	12	1	44.5	56	55
1050H16-16	1	25.4	16	1	44.5	65	73
1050H16-20	1	25.4	16	1.1/4	50.8	71	69
1050H20-20	1.1/4	31.8	20	1.1/4	50.8	78	93
1050H20-24	1.1/4	31.8	20	1.1/2	60.3	80	97
1050H24-24	1.1/2	38.1	24	1.1/2	60.3	95	100
1050H24-32	1.1/2	38.1	24	2	71.4	101	134
1050H32-32	2	50.8	32	2	71.4	121	122

## 1150H

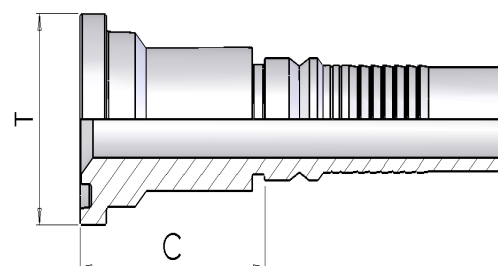
### 45° SAE Flange 3000 PSI



Part number	Hose I.D.		Dimensions				
	in	mm	Dash size	Flange T	mm	Drop H	Cut-Off C
1150H12-12	3/4	19.0	12	3/4	38.1	25	81
1150H12-16	3/4	19.0	12	1	44.5	28	86
1150H16-16	1	25.4	16	1	44.5	35	107
1150H16-20	1	25.4	16	1.1/4	50.8	37	113
1150H20-20	1.1/4	31.8	20	1.1/4	50.8	37	136
1150H20-24	1.1/4	31.8	20	1.1/2	60.3	40	136
1150H24-24	1.1/2	38.1	24	1.1/2	60.3	44	159
1150H24-32	1.1/2	38.1	24	2	71.4	47	159
1150H32-32	2	50.8	32	2	71.4	56	182

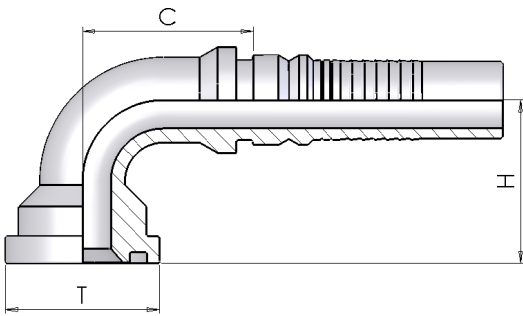
## 1300H

### Straight SAE Flange 6000 PSI



Part number	Hose I.D.		Dimensions			
	in	mm	Dash size	Flange T	mm	Cut-Off C
1300H12-12	3/4	19.0	12	3/4	41.3	51
1300H12-16	3/4	19.0	12	1	47.6	57
1300H16-12	1	25.4	16	3/4	41.3	52
1300H16-16	1	25.4	16	1	47.6	59
1300H16-20	1	25.4	16	1.1/4	54	66
1300H20-16	1.1/4	31.8	20	1	47.6	60
1300H20-20	1.1/4	31.8	20	1.1/4	54	67
1300H20-24	1.1/4	31.8	20	1.1/2	63.5	73
1300H24-20	1.1/2	38.1	24	1.1/4	54	75
1300H24-24	1.1/2	38.1	24	1.1/2	63.5	74
1300H24-32	1.1/2	38.1	24	2	79.4	82
1300H32-32	2	50.8	32	2	79.4	84

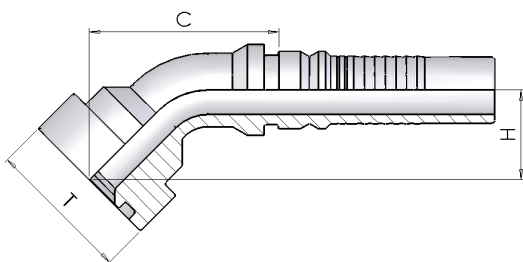
## 1100H



### 90° SAE Flange 6000 PSI

Part number	Hose I.D.		Dash size	Dimensions			
	in	mm		Flange T	mm	Drop H	Cut-Off C
1100H12-12	3/4	19.0	12	3/4	41.3	55	53
1100H12-16	3/4	19.0	12	1	47.6	63	52
1100H16-12	1	25.4	16	3/4	41.3	66	73
1100H16-16	1	25.4	16	1	47.6	72	74
1100H16-20	1	25.4	16	1.1/4	54	79.5	73
1100H20-16	1.1/4	31.8	20	1	47.6	80	93
1100H20-20	1.1/4	31.8	20	1.1/4	54	84,5	93
1100H20-24	1.1/4	31.8	20	1.1/2	63.5	90	98
1100H24-24	1.1/2	38.1	24	1.1/2	63.5	101	114
1100H24-32	1.1/2	38.1	24	2	79.4	115	115
1100H32-32	2	50.8	32	2	79.4	138	124

## 1200H

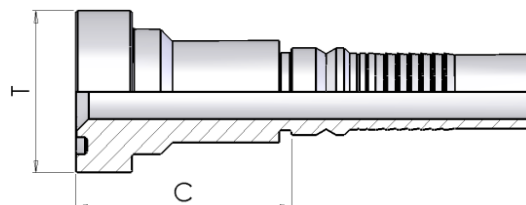


### 45° SAE Flange 6000 PSI

Part number	Hose I.D.		Dash size	Dimensions			
	in	mm		Flange T	mm	Drop H	Cut-Off C
1200H12-12	3/4	19.0	12	3/4	41.3	28	85
1200H12-16	3/4	19.0	12	1	47.6	34	88
1200H16-12	1	25.4	16	3/4	41.3	35	107
1200H16-16	1	25.4	16	1	47.6	34	112
1200H16-20	1	25.4	16	1.1/4	54	40	117
1200H20-16	1.1/4	31.8	20	1	47.6	42	117
1200H20-20	1.1/4	31.8	20	1.1/4	54	43	139
1200H20-24	1.1/4	31.8	20	1.1/2	63.5	48	144
1200H24-24	1.1/2	38.1	24	1.1/2	63.5	50	167
1200H24-32	1.1/2	38.1	24	2	79.4	64	166
1200H32-32	2	50.8	32	2	79.4	72	200

## 130SH

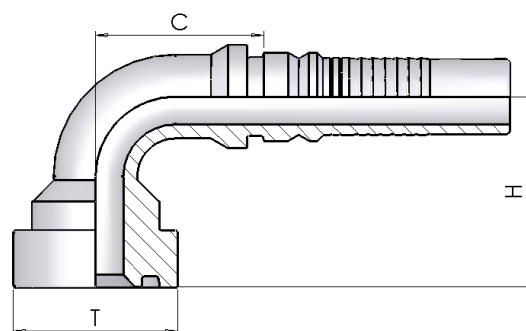
### Straight 'CAT' Flange



Part number	Hose I.D.		Dash size	Dimensions		Cut-Off C
	in	mm		Flange T	mm	
130SH12-12	3/4	19.0	12	3/4	41.3	55
130SH12-16	3/4	19.0	12	1	47.6	62
130SH16-16	1	25.4	16	1	47.6	63
130SH16-20	1	25.4	16	1.1/4	54	70
130SH20-20	1.1/4	31.8	20	1.1/4	54	71
130SH24-24	1,1/2	38.1	24	1.1/2	64	78

## 110SH

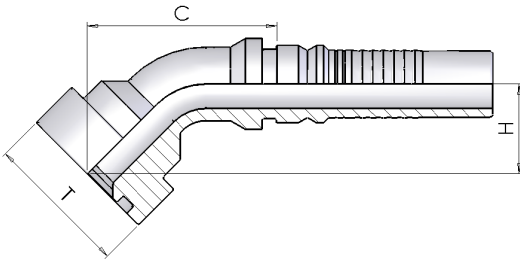
### 90° 'CAT' Flange



Part number	Hose I.D.		Dash size	Dimensions		Drop H	Cut-Off C
	in	mm		Flange T	mm		
110SH12-12	3/4	19.0	12	3/4	41.3	62	51
110SH16-16	1	25.4	16	1	47.6	75	73.2
110SH16-20	1	25.4	16	1.1/4	54	82	74
110SH20-20	1.1/4	31.8	20	1.1/4	54	89	93
110SH24-24	1,1/2	38.1	24	1.1/2	63.5	100	115

# 120SH

## 45° 'CAT' Flange



Part number	Hose I.D.		Dimensions				
	in	mm	Dash size	Flange T	mm	Drop H	Cut-Off C
120SH12-12	3/4	19.0	12	3/4	41.3	30	89
120SH16-16	1	25.4	16	1	47.6	38	115
120SH20-20	1.1/4	31.8	20	1.1/4	54	47	142
120SH24-24	1,1/2	38.1	24	1.1/2	63.5	52	169



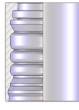


Hyblast  
Tail

in!



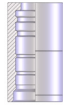
**00S4**



Swaged Ferrule  
(skive)

119

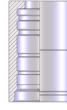
**00Y4**



Swaged Ferrule  
(skive)

119

**00Y6**



Swaged Ferrule  
(skive)

120



**0050W**

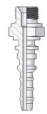


BSP Female 60° cone  
Thrust Wire

120



**0350W**



BSP Male Parallel 60°  
cone

120



**0370W**



NPTF Male 60° cone

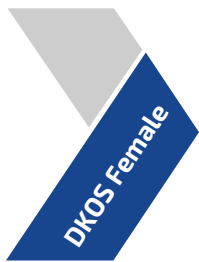
121

**0370Y**

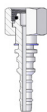


NPTF Male 60° cone

121



**0084W**



Metric Female 24°  
Seat Heavy

122

**0084Y**

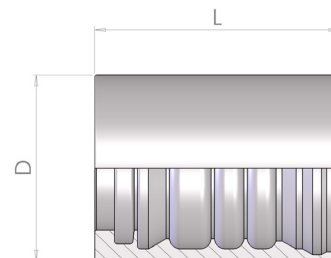


Metric Female 24°  
Seat Heavy

122

## 00S4

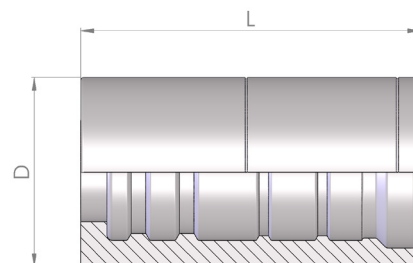
### Swaged Ferrule (Skive)



Part number	Hose I.D.		Dimensions	
	in	mm	D	L
00S4-06	3/8	9.5	28	45.5
00S4-08	1/2	12.7	33	50.3
00S4-12	3/4	19	41	56
00S4-16	1	25.4	51	67.2

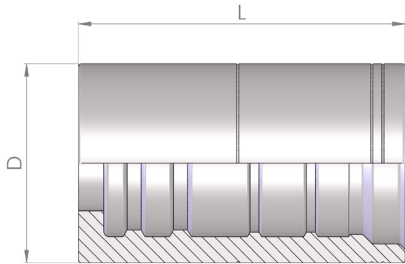
## 00Y4

### Swaged Ferrule (Skive)



Part number	Hose I.D.		Dimensions	
	in	mm	D	L
00Y4-06	3/8	9.5	32.5	58.5
00Y4-08	1/2	12.7	36.5	62
00Y4-12	3/4	19	43.8	69

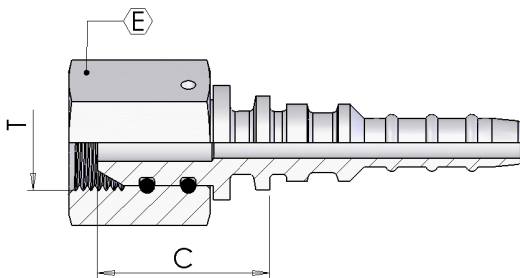
## 00Y6



### Swaged Ferrule (Skive)

Part number	Hose I.D.		Dimensions	
	in	mm	D	L
00Y6-06	3/8	9.5	35.5	58.5
00Y6-08	1/2	12.7	39.8	62
00Y6-12	3/4	19	47	69

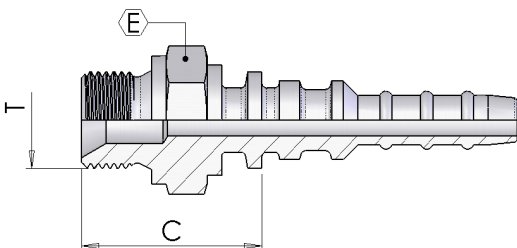
## 0050W



### BSP Female 60° Cone - Thrust Wire

Part number	Hose I.D.		Dimensions			
	in	mm	Dash size	Thread T	Hex E	Cut-Off C
0050W08-08	1/2	12.7	08	1/2-14	30	33
0050W12-12	3/4	19	12	3/4-14	32	37
0050W16-16	1	25.4	16	1-11	38	40

## 0350W

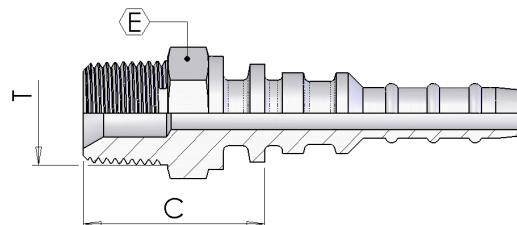


### BSP Male Parallel 60° Cone

Part number	Hose I.D.		Dimensions			
	in	mm	Dash size	Cut-Off C	T	E
0350W08-08	1/2	12.7	08	36	1/2-14	27
0350W12-12	3/4	19	12	39	3/4-14	32

## 0370W

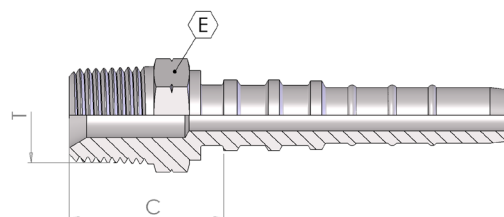
### NPTF Male 60° Cone



Part number	Hose I.D.		Dimensions			
	in	mm	Dash size	Cut-Off C	T	E
0370W06-06	3/8	9.5	06	30	3/8-18	19
0370W08-08	1/2	12.7	08	39	1/2-14	22
0370W12-12	3/4	19	12	40	3/4-14	27
0370W16-16	1	25.4	16	49	1-11.1/2	38

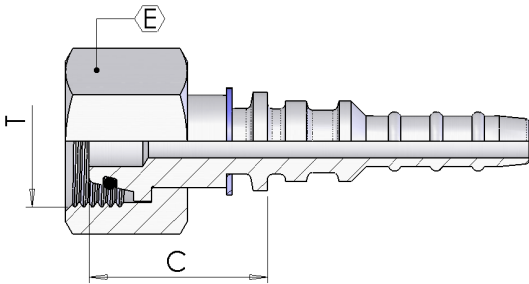
## 0370Y

### NPTF Male 60° Cone



Part number	Hose I.D.		Dimensions			
	in	mm	Dash size	Cut-Off C	T	E
0370Y06-06	3/8	9.5	06	29	3/8-18	19
0370Y08-08	1/2	12.7	08	35	1/2-14	22
0370Y12-12	3/4	19	12	37	3/4-14	27

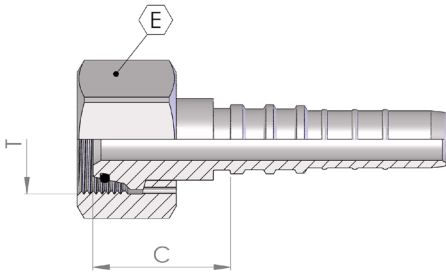
## 0084W



### Metric Female 24° - Seat Heavy

Part number	Hose I.D.		Dimensions				
	in	mm	Dash size	Erm	Cut-Off C	T	E
0084W06-20	3/8	9.5	06	12	29	M20-1.5	24
0084W06-22	3/8	9.5	06	14	31	M22-1.5	27
0084W06-24	3/8	9.5	06	16	31	M24-1.5	30
0084W08-24	1/2	12.7	08	16	33	M24-1.5	30
0084W12-36	3/4	19	12	25	43	M36-2	46

## 0084Y



### Metric Female 24° - Seat Heavy

Part number	Hose I.D.		Dimensions				
	in	mm	Dash size	Erm	Cut-Off C	T	E
0084Y06-24	3/8	9.5	06	16	39	M24-1.5	32
0084Y08-24	1/2	12.7	08	16	39	M24-1.5	34
0084Y12-36	3/4	19	12	25	45	M36-2	46



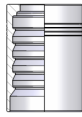


# Multispiral Tail

in!



**0019**



Swaged Ferrule (skive)

125



**0350M**



BSP Male Parallel 60° cone

125

**0050M**



BSP Female 60° cone Thrust Wire

126

**0150M**



BSP 90° Swept Elbow 60° cone Thrust Wire

126

**0250M**



BSP 45° Swept Elbow 60° cone Thrust Wire

127



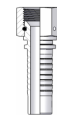
**0850M**



JIC Male 74° cone

127

**0900M**



JIC Female 74° cone Thrust Wire

128

**0950M**



JIC 90° Swept Elbow 74° cone Thrust Wire

128

**1000M**



JIC 45° Swept Elbow 74° cone Thrust Wire

129



**0370M**



NPTF Male 60° cone

129



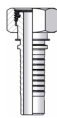
**0450M**



Metric Male 24° Seat Heavy

130

**0084M**



Metric Female 24° Seat Heavy

130

**0184M**



90° Metric Swept Elbow 24° Seat Heavy

131

**0284M**



45° Metric Swept Elbow 24° Seat Heavy

131



**1250M**



Straight SAE Flange 3000 PSI

132

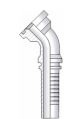
**1050M**



90° SAE Flange 3000 PSI

132

**1150M**



45° SAE Flange 3000 PSI

133

**1300M**



Straight SAE Flange 6000 PSI

133

**1100M**

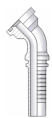


90° SAE Flange 6000 PSI

134

Dimensions and general characteristics may be changed at any time, data contained here in are only for information purpose only and it does not enlarge, amend or imply any warranty other than provided by us with the product. Any use of the product not in conformance with our instructions may be dangerous.

**1200M**



45° SAE Flange 6000 PSI

134



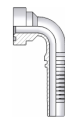
**130SM**



Straight 'CAT' Flange

135

**110SM**



90° 'CAT' Flange

135

**120SM**

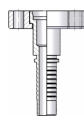


45° 'CAT' Flange

136



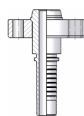
**F432M - F434M**



POCLAIN Male Flange

136

**F032M - F034M**



POCLAIN Female Flange

137

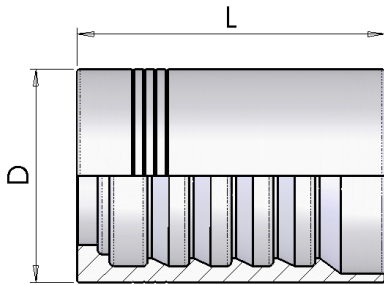
**F132M - F134M**



90° POCLAIN Female Flange

137

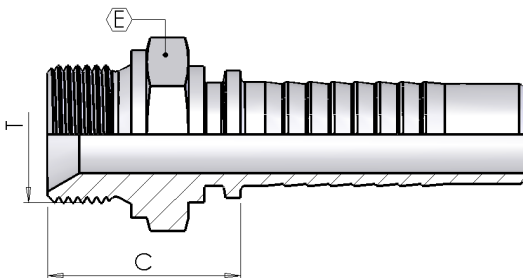
# 0019



## Swaged Ferrule (Skive)

Part number	Hose I.D.		Dimensions		Skive
	in	mm	D	L	Length
0019-04	1/4	6.4	21	40	30
0019-06	3/8	9.5	25.4	43	31
0019-08	1/2	12.7	30	45	34
0019-10	5/8	15.9	33.4	50	38
0019-12	3/4	19.0	38	55	39
0019-16	1	25.4	46	75	56

# 0350M



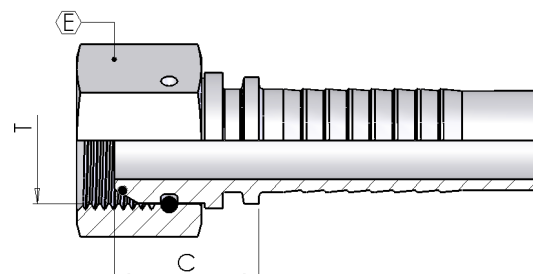
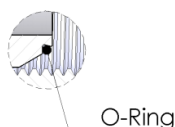
## BSP Male Parallel 60° Cone

Part number	Hose I.D.		Dimensions			
	in	mm	Dash size	Thread T	Hex E	Cut-Off C
0350M04-04	1/4	6.4	04	1/4-19	19	28
0350M06-06	3/8	9.5	06	3/8-19	22	30
0350M08-08	1/2	12.7	08	1/2-14	27	33
0350M12-12	3/4	19.0	12	3/4-14	32	37
0350M16-16	1	25.4	16	1-11	41	42

# 0050M

## BSP Female 60° Cone - Thrust Wire

(\*)- BSP female with O-Ring



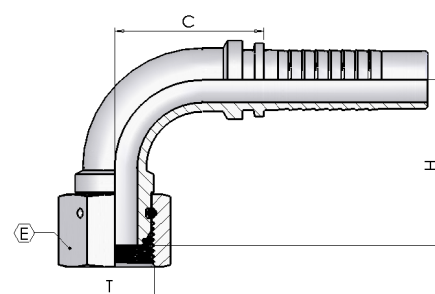
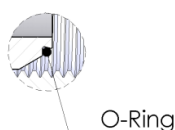
Part number	Hose I.D.		Dimensions			
	in	mm	Dash size	Thread T	Hex E	Cut-Off C
0050M04-04	1/4	6.4	04	1/4-19	19	20
0050M06-06	3/8	9.5	06	3/8-19	22	21
0050M08-08	1/2	12.7	08	1/2-14	27	23
0050M12-12	3/4	19.0	12	3/4-14	32	27
0050M16-16	1	25.4	16	1-11	38	30

(\*)

# 0150M

## BSP 90° Swept Elbow 60° Cone - Thrust Wire

(\*)- BSP female with O-Ring

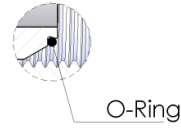
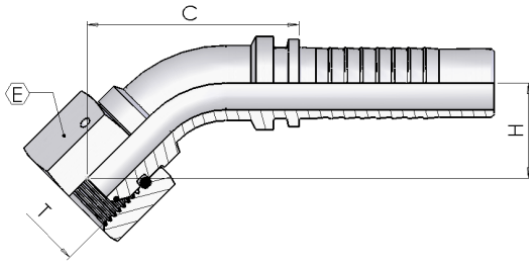


Part number	Hose I.D.		Dimensions				
	in	mm	Dash size	Thread T	Hex E	Drop H	Cut-Off C
0150M04-04	1/4	6.4	04	1/4-19	19	28	26
0150M06-06	3/8	9.5	06	3/8-19	22	34	35
0150M08-08	1/2	12.7	08	1/2-14	27	40	40
0150M10-10	5/8	15.9	10	5/8-14	30	46	46
0150M12-12	3/4	19.0	12	3/4-14	32	56	58
0150M16-16	1	25.4	16	1-11	38	68	72

(\*)

# 0250M

## BSP 45° Swept Elbow 60° Cone - Thrust Wire

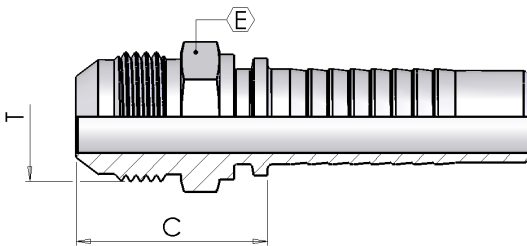


(\*)- BSP female with O-Ring

Part number	Hose I.D.		Dimensions				
	in	mm	Dash size	Thread T	Hex E	Drop H	Cut-Off C
0250M04-04	1/4	6.4	04	1/4-19	19	16	43
0250M06-06	3/8	9.5	06	3/8-19	22	19	54
0250M08-08	1/2	12.7	08	1/2-14	27	23	67
0250M10-10	5/8	15.9	10	5/8-14	30	24	70
0250M12-12	3/4	19.0	12	3/4-14	32	29	87
(*) 0250M16-16	1	25.4	16	1-11	38	35	108

# 0850M

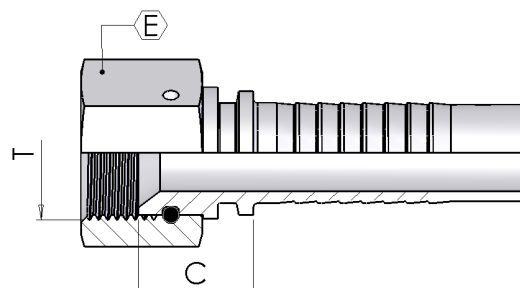
## JIC Male 74° Cone



Part number	Hose I.D.		Dimensions			
	in	mm	Dash size	Thread T	Hex E	Cut-Off C
0850M04-04	1/4	6.4	04	7/16-20	12	28
0850M06-06	3/8	9.5	06	9/16-18	15	28
0850M06-08	3/8	9.5	06	3/4-16	19	32
0850M08-08	1/2	12.7	08	3/4-16	19	32
0850M08-10	1/2	12.7	08	7/8-14	24	36
0850M10-10	5/8	15.9	10	7/8-14	24	36
0850M10-12	5/8	15.9	10	1.1/16-12	27	40
0850M12-12	3/4	19.0	12	1.1/16-12	27	40
0850M12-16	1	25.4	16	1.5/16-12	34	43
0850M16-16	1	25.4	16	1.5/16-12	34	45

## 0900M

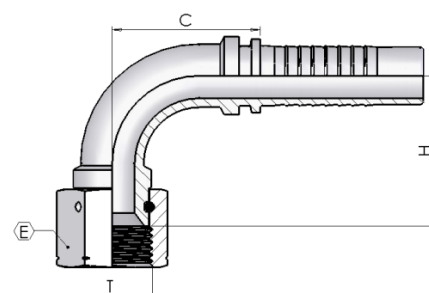
### JIC Female 74° Cone - Thrust Wire



Part number	Hose I.D.		Dimensions			
	in	mm	Dash size	Thread T	Hex E	Cut-Off C
0900M04-04	1/4	6.4	04	7/16-20	17	16
0900M06-06	3/8	9.5	06	9/16-18	19	18
0900M08-08	1/2	12.7	08	3/4-16	24	20
0900M08-10	1/2	12.7	08	7/8-14	27	21
0900M10-10	5/8	15.9	10	7/8-14	27	21
0900M10-12	5/8	15.9	10	1.1/16-12	32	22
0900M12-12	3/4	19.0	12	1.1/16-12	32	23
0900M12-16	3/4	19.0	12	1.5/16-12	41	26
0900M16-16	1	25.4	16	1.5/16-12	41	27

## 0950M

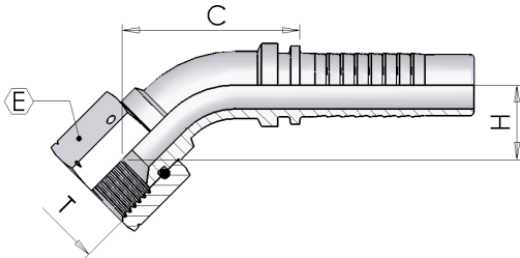
### JIC 90° Swept Elbow 74° Cone - Thrust Wire



Part number	Hose I.D.		Dimensions				
	in	mm	Dash size	Thread T	Hex E	Drop H	Cut-Off C
0950M04-04	1/4	6.4	04	7/16-20	17	26	26
0950M06-06	3/8	9.5	06	9/16-18	19	33	35
0950M08-08	1/2	12.7	08	3/4-16	24	39	40
0950M08-10	1/2	12.7	08	7/8-14	27	41	40
0950M10-10	5/8	15.9	10	7/8-14	27	45	46
0950M12-12	3/4	19.0	12	1.1/16-12	32	54	58
0950M16-16	1	25.4	16	1.5/16-12	41	68	72

# 1000M

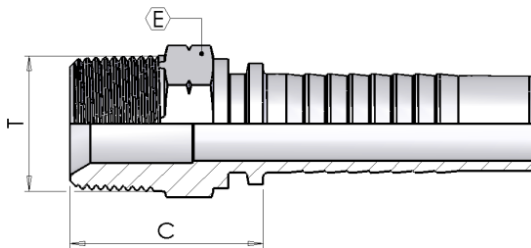
## JIC 45° Swept Elbow 74° Cone-Thrust Wire



Part number	Hose I.D.		Dimensions				
	in	mm	Dash size	Thread T	Hex E	Drop H	Cut-Off C
1000M04-04	1/4	6.4	04	7/16-20	17	15	42
1000M06-06	3/8	9.5	06	9/16-18	19	18	53
1000M08-08	1/2	12.7	08	3/4-16	24	23	66
1000M08-10	1/2	12.7	08	7/8-14	27	23	67
1000M10-10	5/8	15.9	10	7/8-14	27	23	69
1000M12-12	3/4	19.0	12	1.1/16-12	32	28	85
1000M16-16	1	25.4	16	1.5/16-12	41	36	109

# 0370M

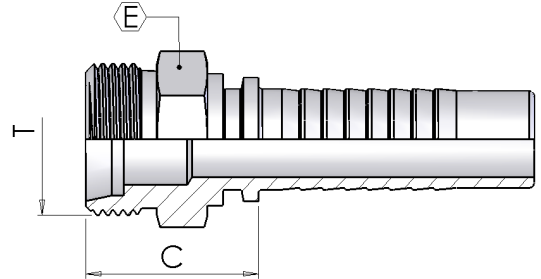
## NPTF Male 60° Cone



Part number	Hose I.D.		Dimensions			
	in	mm	Dash size	Thread T	Hex E	Cut-Off C
0370M04-04	1/4	6.4	04	1/4-18	15	29
0370M04-06	1/4	6.4	04	3/8-18	19	29
0370M06-06	3/8	9.5	06	3/8-18	19	29
0370M08-08	1/2	12.7	08	1/2-14	22	35
0370M12-12	3/4	19.0	12	3/4-14	27	39
0370M16-16	1	25.4	16	1-11.1/2	36	46

# 0450M

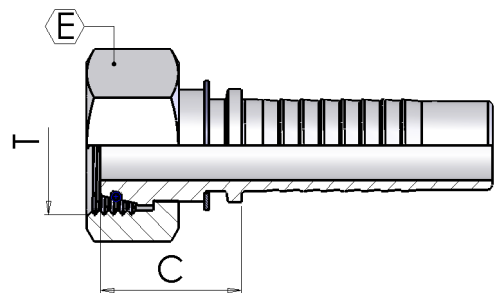
## Metric Male 24° - Seat Heavy



Part number	Hose I.D.		Dimensions				
	in	mm	Dash size	Thread T	Erm	Hex E	Cut-Off C
0450M08-24	1/2	12.7	08	M24-1.5	16	24	32
0450M10-30	5/8	15.9	10	M30-2	20	30	34
0450M12-30	3/4	19.0	12	M30-2	20	36	36
0450M12-36	3/4	19.0	12	M36-2	25	36	40
0450M16-42	1	25.4	16	M42-2	30	46	44

# 0084M

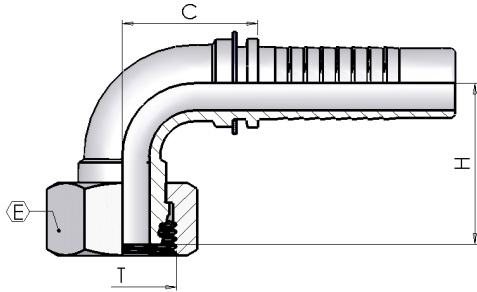
## Metric Female 24° -Seat Heavy



Part number	Hose I.D.		Dimensions				
	in	mm	Dash size	Thread T	Erm	Hex E	Cut-Off C
0084M04-16	1/4	6.4	04	M16-1.5	8	19	27
0084M06-20	3/8	9.5	06	M20-1.5	12	24	25
0084M08-24	1/2	12.7	08	M24-1.5	16	30	29
0084M10-30	5/8	15.9	10	M30-2	20	36	34
0084M12-30	3/4	19.0	12	M30-2	20	36	35
0084M12-36	3/4	19.0	12	M36-2	25	46	41
0084M16-36	1	25.4	16	M36-2	25	46	43
0084M16-42	1	25.4	16	M42-2	30	50	45

# 0184M

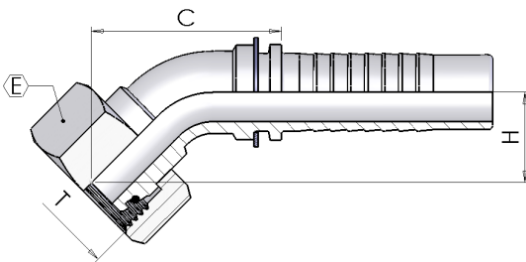
## 90° Metric Swept Elbow 24° - Seat Heavy



Part number	Hose I.D.		Dimensions					
	in	mm	Dash size	Thread T	Erm	Hex E	Drop H	Cut-Off C
0184M04-16	1/4	6.4	04	M16-1.5	8	19	26	28
0184M06-20	3/8	9.5	06	M20-1.5	12	24	33	35
0184M08-24	1/2	12.7	08	M24-1.5	16	30	38	42
0184M10-30	5/8	15.9	10	M30-2	20	36	50	47
0184M12-30	3/4	19.0	12	M30-2	20	36	56	59
0184M12-36	3/4	19.0	12	M36-2	25	46	59	58
0184M16-42	1	25.4	16	M42-2	30	50	67	74

# 0284M

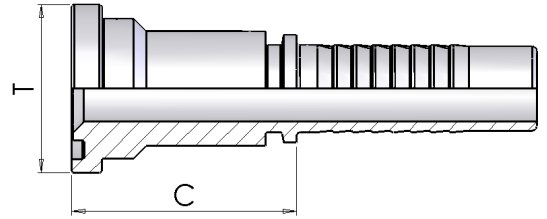
## 45° Metric Swept Elbow 24° - Seat Heavy



Part number	Hose I.D.		Dimensions					
	in	mm	Dash size	Thread T	Erm	Hex E	Drop H	Cut-Off C
0284M04-16	1/4	6.4	04	M16-1.5	8	19	15	38
0284M06-20	3/8	9.5	06	M20-1.5	12	24	19	45
0284M08-24	1/2	12.7	08	M24-1.5	16	30	21	64
0284M10-30	5/8	15.9	10	M30-2	20	36	29	74
0284M12-30	3/4	19.0	12	M30-2	20	36	30	91
0284M12-36	3/4	19.0	12	M36-2	25	46	31	91
0284M16-42	1	25.4	16	M42-2	30	50	33	107

## 1250M

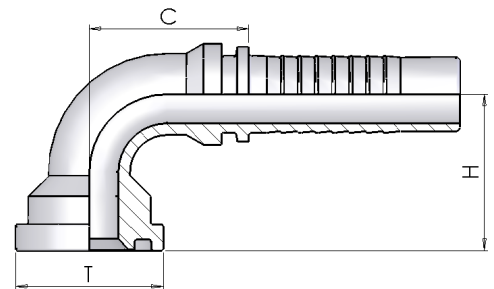
### Straight SAE Flange 3000 PSI



Part number	Hose I.D.		Dimensions			
	in	mm	Dash size	Flange T	mm	Cut-Off C
1250M08-08	1/2	12.7	08	1/2	30,2	46
1250M12-12	3/4	19.0	12	3/4	38.1	51
1250M12-16	3/4	19.0	12	1	44.5	54
1250M16-16	1	25.4	16	1	44.5	56
1250M16-20	1	25.4	16	1.1/4	50.8	59

## 1050M

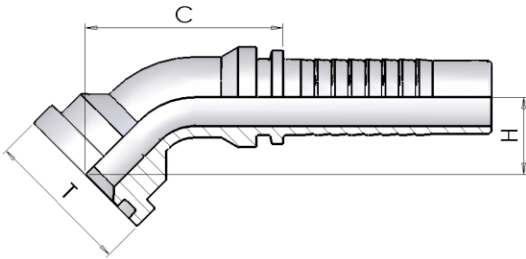
### 90° SAE Flange 3000 PSI



Part number	Hose I.D.		Dimensions				
	in	mm	Dash size	Flange T	mm	Drop H	Cut-Off C
1050M08-08	1/2	12.7	08	1/2	30,2	39	40
1050M12-12	3/4	19.0	12	3/4	38.1	53	58
1050M12-16	3/4	19.0	12	1	44.5	58	58
1050M16-16	1	25.4	16	1	44.5	65	72
1050M16-20	1	25.4	16	1.1/4	50.8	70	72

# 1150M

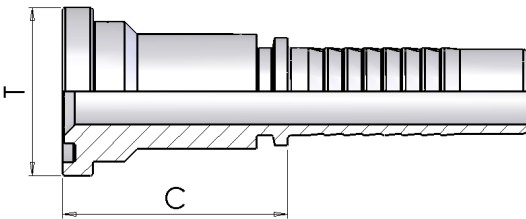
## 45° SAE Flange 3000 PSI



Part number	Hose I.D.		Dimensions				
	in	mm	Dash size	Flange T	mm	Drop H	Cut-Off C
1150M08-08	1/2	12.7	08	1/2	30,2	22	63
1150M12-12	3/4	19.0	12	3/4	38.1	27	84
1150M12-16	3/4	19.0	12	1	44.5	30	88
1150M16-16	1	25.4	16	1	44.5	33	106
1150M16-20	1	25.4	16	1.1/4	50.8	37	110

# 1300M

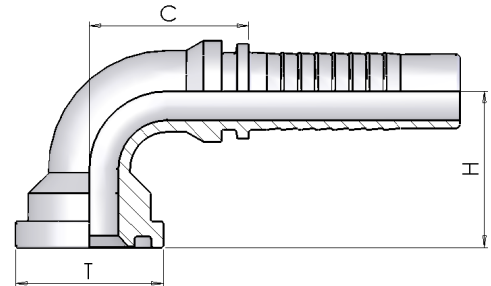
## Straight SAE Flange 6000 PSI



Part number	Hose I.D.		Dimensions			
	in	mm	Dash size	Flange T	mm	Cut-Off C
1300M08-08	1/2	12.7	08	1/2	31,8	47
1300M10-12	5/8	15.9	10	3/4	41.3	54
1300M12-12	3/4	19.0	12	3/4	41.3	55
1300M12-16	3/4	19.0	12	1	47.6	61
1300M16-16	1	25.4	16	1	47.6	63
1300M16-20	1	25.4	16	1.1/4	54	70

## 1100M

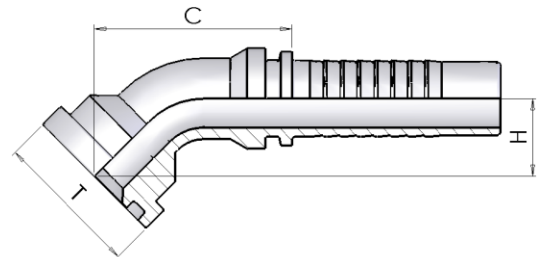
### 90° SAE Flange 6000 PSI



Part number	Hose I.D.		Dimensions				
	in	mm	Dash size	Flange T	mm	Drop H	Cut-Off C
1100M08-08	1/2	12.7	08	1/2	31,8	39	40
1100M10-12	5/8	15.9	10	3/4	41.3	51	46
1100M12-12	3/4	19.0	12	3/4	41.3	57	58
1100M12-16	3/4	19.0	12	1	47.6	63	56
1100M16-16	1	25.4	16	1	47.6	69	72
1100M16-20	1	25.4	16	1.1/4	54	77	72

## 1200M

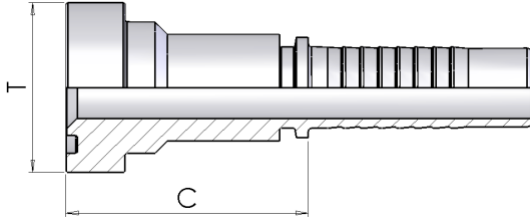
### 45° SAE Flange 6000 PSI



Part number	Hose I.D.		Dimensions				
	in	mm	Dash size	Flange T	mm	Drop H	Cut-Off C
1200M08-08	1/2	12.7	08	1/2	31,8	22	66
1200M10-12	5/8	15.9	10	3/4	41.3	27	73
1200M12-12	3/4	19.0	12	3/4	41.3	30	87
1200M12-16	3/4	19.0	12	1	47.6	34	94
1200M16-16	1	25.4	16	1	47.6	37	109
1200M16-20	1	25.4	16	1.1/4	54	41	115

# 130SM

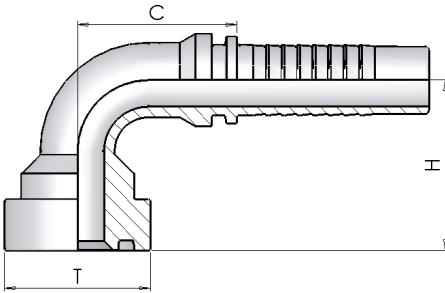
## Straight 'CAT' Flange



Part number	Hose I.D.		Dimensions			
	in	mm	Dash size	Flange T	mm	Cut-Off C
130SM12-12	3/4	19.0	12	3/4	41	59
130SM12-16	3/4	19.0	12	1	48	66
130SM16-16	1	25.4	16	1	48	67
130SM16-20	1	25.4	16	1.1/4	54	75

# 110SM

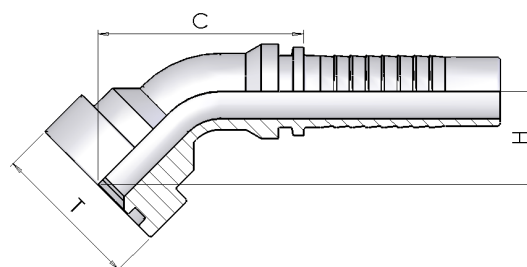
## 90° 'CAT' Flange



Part number	Hose I.D.		Dimensions				
	in	mm	Dash size	Flange T	mm	Drop H	Cut-Off C
110SM12-12	3/4	19.0	12	3/4	41	60	58
110SM12-16	3/4	19.0	12	1	48	67	58
110SM16-16	1	25.4	16	1	48	74	80
110SM16-20	1	25.4	16	1.1/4	54	80	79

# 120SM

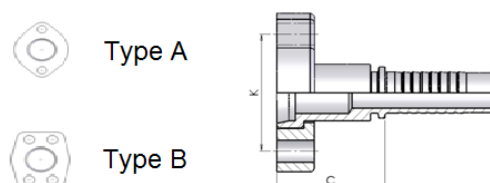
## 45° 'CAT' Flange



Part number	Hose I.D.		Dimensions				
	in	mm	Dash size	Flange T	mm	Drop H	Cut-Off C
120SM12-12	3/4	19.0	12	3/4	41	32	90
120SM12-16	3/4	19.0	12	1	48	33	97
120SM16-16	1	25.4	16	1	48	40	121
120SM16-20	1	25.4	16	1.1/4	54	44	124

# F432M - F434M

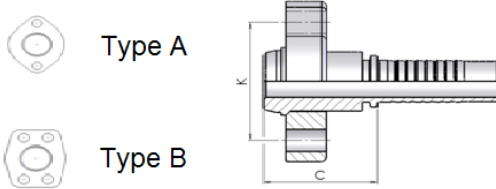
## POCLAIN Male Flange



Part number	Hose I.D.		Dimensions				
	in	mm	Dash size	Flange T	N° screws	Cut-Off C	K
F432M08-08	1/2	12.7	08	1/2	A	41	44
F432M10-10	5/8	15.9	10	5/8	A	41	44
F432M12-12	3/4	19.0	12	3/4	A	52	56
F432M16-16	1	25.4	16	1	A	64	64
F432M20-20	1.1/4	31.8	20	1.1/4	A	70	74
F434M08-08	1/2	12.7	08	1/2	B	41	40
F434M10-10	5/8	15.9	10	5/8	B	41	40
F434M12-12	3/4	19.0	12	3/4	B	52	51
F434M16-16	1	25.4	16	1	B	64	57
F434M20-20	1.1/4	31.8	20	1.1/4	B	70	67

## F032M - F034M

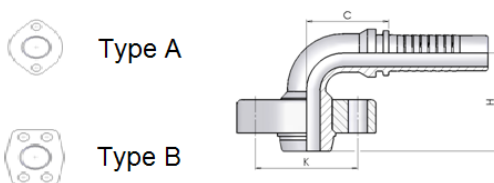
### POCLAIN Female Flange



Part number	Hose I.D.		Dimensions				
	in	mm	Dash size	Flange T	N° screws	Cut-Off C	K
F032M08-08	1/2	12.7	08	1/2	A	45	44
F032M10-10	5/8	15.9	10	5/8	A	44	44
F032M12-12	3/4	19.0	12	3/4	A	51	56
F032M16-16	1	25.4	16	1	A	62	64
F032M20-20	1.1/4	31.8	20	1.1/4	A	70	67
F034M08-08	1/2	12.7	08	1/2	B	45	40
F034M10-10	5/8	15.9	10	5/8	B	44	40
F034M12-12	3/4	19.0	12	3/4	B	51	51
F034M16-16	1	25.4	16	1	B	62	57
F034M20-20	1.1/4	31.8	20	1.1/4	B	82	67

## F132M - F134M

### 90°POCLAIN Female Flange



Part number	Hose I.D.		Dimensions					
	in	mm	Dash size	Flange T	Drop H	N° screws	Cut-Off C	K
F132M08-08	1/2	12.7	08	1/2	50	A	40	44
F132M10-10	5/8	15.9	10	5/8	52	A	48	44
F132M12-12	3/4	19.0	12	3/4	62	A	63	56
F132M16-16	1	25.4	16	1	81	A	80	64
F132M20-20	1.1/4	31.8	20	1.1/4	96	A	98	74
F134M08-08	1/2	12.7	08	1/2	50	B	40	40
F134M10-10	5/8	15.9	10	5/8	52	B	48	40
F134M12-12	3/4	19.0	12	3/4	62	B	63	51
F134M16-16	1	25.4	16	1	81	B	80	57
F134M20-20	1.1/4	31.8	20	1.1/4	96	B	98	67





Low  
Pressure

in!



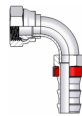
**P050**



BSP Female 60° cone - UniLock

139

**P150**



BSP 90° Swept elbow 60° cone - UniLock

139

**P350**

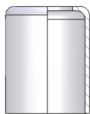


BSP Male Parallel 60° cone - UniLock

134



**A**



Aluminium ferrule

141

**BA**

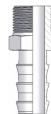


Steel ferrule

142



**0345B**



BSP Male - Flat Seat

143

**0350B**



BSP Male Parallel 60° cone

144



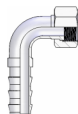
**0051B**



BSP Female 60° cone

145

**0151B**



BSP 90° Swept elbow 60° cone

146

**0251B**



BSP 45° Swept Elbow 60° Cone

147

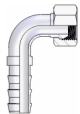
**0060B**



BSP Female Flat Seal

148

**0160B**

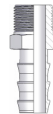


BSP 90° Swept elbow flat seat

148

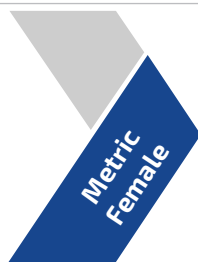


**0400B**

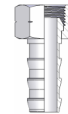


Metric Male 60° cone

149



**0100B**



Metric Female 60° cone

149

**0200B**



90° Metric Swept Elbow 60° cone

150

**0300B**



45° Metric Swept Elbow 60° cone

150



**1350B**



Metric Banjo

151

**1400B**

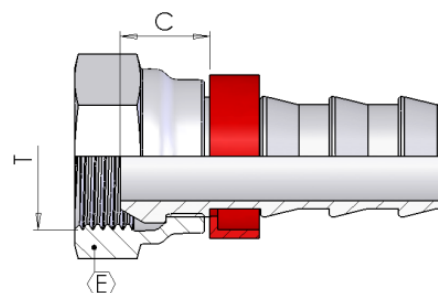


BSP Banjo

151

## P050

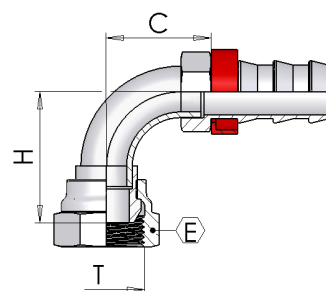
### BSP Female 60° Cone - UniLock



Part number	Hose I.D.		Dimensions			
	in	mm	Dash size	Thread T	Hex E	Cut-Off C
P050-04-04	1/4	6.4	04	1/4-19	17	10
P050-06-06	3/8	9.5	06	3/8-19	19	10
P050-08-08	1/2	12.7	08	1/2-14	27	13
P050-12-12	3/4	19	12	3/4-14	32	16
P050-16-16	1	25.4	16	1-11	38	15

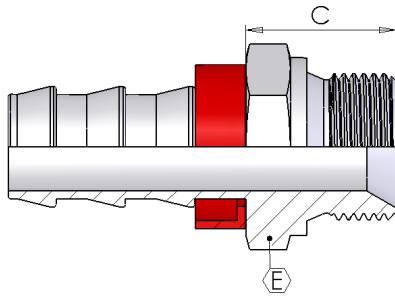
## P150

### BSP 90° Swept Elbow 60° Cone - UniLock



Part number	Hose I.D.		Dimensions				
	in	mm	Dash size	Thread T	Hex E	Drop H	Cut-Off C
P150-04-04	1/4	6.4	04	1/4-19	17	26	20
P150-06-06	3/8	9.5	06	3/8-19	19	28	21
P150-08-08	1/2	12.7	08	1/2-14	27	35	26
P150-12-12	3/4	19	12	3/4-14	32	46	37
P150-16-16	1	25.4	16	1-11	38	55	44

# P350

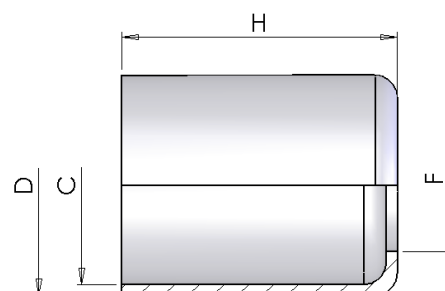


## BSP Male Parallel 60° Cone - UniLock

Part number	Hose I.D.		Dimensions			
	in	mm	Dash size	Thread T	Hex E	Cut-Off C
P350-04-04	1/4	6.4	04	1/4-19	19	20
P350-06-06	3/8	9.5	06	3/8-19	22	22
P350-08-08	1/2	12.7	08	1/2-14	27	25
P350-12-12	3/4	19	12	3/4-14	32	27
P350-16-16	1	25.4	16	1-11	41	30

A

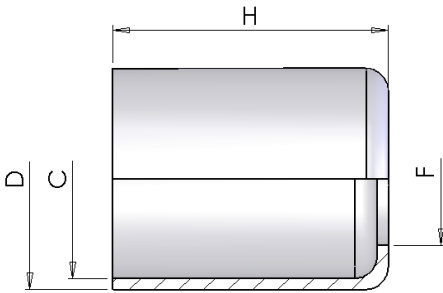
## Aluminium ferrule



Part number	Dimensions			
	C	D	F	H
A11x13	11	13	8	16
A12x14	12	14	8	17
A13x15	13	15	9	20
A14x16	14	16	9	20
A15x17	15	17	11	20
A16x18	16	18	12	23
A17x19	17	19	12	23
A18x20	18	20	12	23
A19x21	19	21	15	25
A20x22	20	22	15	25
A21x23	21	23	15	25
A22x24	22	24	15	25
A23x25	23	25	16	26
A24x26	24	26	15	26
A26x28	26	28	20	30
A27x29	27	29	20	30
A28x30	28	30	20	30
A30x32	30	32	21	30
A32x34	32	34	22	30
A34x36	34	36	27	35
A36x38	36	38	26	36
A38x40	38	40	27	36
A42x45	42	45	32	40

# BA

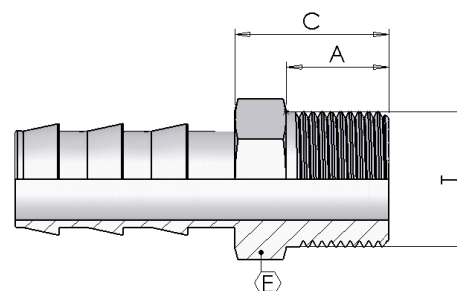
## Steel ferrule



Part number	Dimensions			
	C	D	F	H
BA-021-024	21	24	16	31
BA-022-025	22	25	16	31
BA-024-027	24	27	18	31
BA-027-030	27	30	20	34
BA-029-032	29	32	21	35
BA-032-035	32	35	23	36
BA-035-038	35	38	27	36
BA-037-040	37	40	28	38
BA-039-042	39	42	29	40
BA-042-045	42	45	32	42
BA-046-050	46	50	34	46
BA-048-052	48	52	35	46
BA-051-055	51	55	42	48
BA-056-060	56	60	43	50
BA-060-065	60	65	45	51
BA-065-070	65	70	53	54
BA-070-075	70	75	55	56
BA-077-082	77	82	65	61
BA-080-085	80	85	68	64
BA-085-090	85	90	68	63
BA-095-100	95	100	78	68
BA-100-105	100	105	84	76

# 0345B

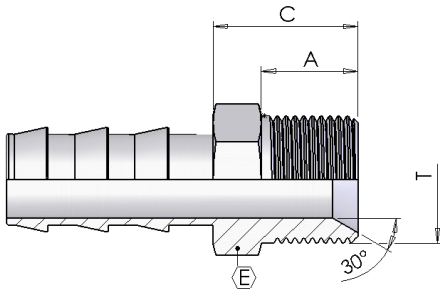
## BSP Male - Flat Seat



Part number	Hose I.D.		Dimensions			
	in	mm	Thread	Hex	Cut-Off	A
			T	E	C	
0345B04-02	1/4	6.4	1/8	14	16	10
0345B04-04	1/4	6.4	1/4	14	16	10
0345B05-04	5/16	7.9	1/4	14	16	10
0345B05-06	5/16	7.9	3/8	17	19	12
0345B06-04	3/8	9.5	1/4	17	16	10
0345B06-06	3/8	9.5	3/8	17	19	12
0345B06-08	3/8	9.5	1/2	22	21	13
0345B08-06	1/2	12.7	3/8	19	19	12
0345B08-08	1/2	12.7	1/2	22	21	13
0345B10-06	5/8	15.9	3/8	19	19	12
0345B10-08	5/8	15.9	1/2	22	21	13
0345B10-12	5/8	15.9	3/4	27	21	15
0345B12-08	3/4	19	1/2	24	21	13
0345B12-12	3/4	19	3/4	27	23	15
0345B12-16	3/4	19	1	34	25	16
0345B16-12	1	25.4	3/4	30	23	15
0345B16-16	1	25.4	1	34	25	16
0345B20-12	1.1/4	31.8	3/4	34	23	15
0345B20-16	1.1/4	31.8	1	36	26	16
0345B20-20	1.1/4	31.8	1.1/4	42	27	17
0345B24-20	1.1/2	38.1	1.1/4	42	27	17
0345B24-24	1.1/2	38.1	1.1/2	50	29	18
0345B32-32	2	50.8	2	60	31	19
0345B40-40	2.1/2	63,5	2.1/2	75	36	23

# 0350B

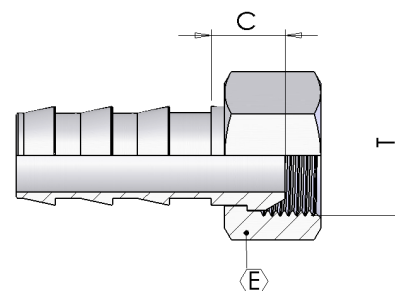
## BSP Male Parallel 60° Cone



Part number	Hose I.D.		Dimensions			
	in	mm	Thread T	Hex E	Cut-Off C	A
0350B04-02	1/4	6.4	1/8	14	14	9
0350B04-04	1/4	6.4	1/4	19	16	10
0350B05-04	5/16	7.9	1/4	19	16	10
0350B06-04	3/8	9.5	1/4	19	16	10
0350B06-06	3/8	9.5	3/8	22	18	12

# 0051B

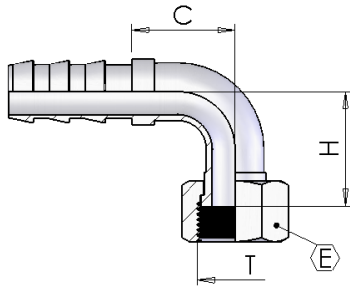
## BSP Female 60° Cone



Part number	Hose I.D.		Dimensions		
	in	mm	Thread	Hex	Cut-Off
			T	E	C
0051B03-02	3/16	4.8	1/8	14	9
0051B04-02	1/4	6.4	1/8	14	9
0051B04-04	1/4	6.4	1/4	17	10
0051B05-04	5/16	7.9	1/4	17	10
0051B05-06	5/16	7.9	3/8	19	11
0051B06-06	3/8	9.5	3/8	19	11
0051B06-08	3/8	9.5	1/2	24	12
0051B08-06	1/2	12.7	3/8	19	11
0051B08-08	1/2	12.7	1/2	24	12
0051B10-08	5/8	15.9	1/2	24	12
0051B10-12	5/8	15.9	3/4	30	14
0051B12-12	3/4	19	3/4	30	14
0051B12-16	3/4	19	1	38	15
0051B16-16	1	25.4	1	38	16
0051B20-20	1.1/4	31.8	1.1/4	46	16
0051B20-24	1.1/4	31.8	1.1/2	55	18
0051B24-24	1.1/2	38.1	1.1/2	55	18
0051B32-32	2	50.8	2	65	19
0051B40-40	2.1/2	63.5	2.1/2	85	24
0051B48-48	3	76.2	3	100	26

# 0151B

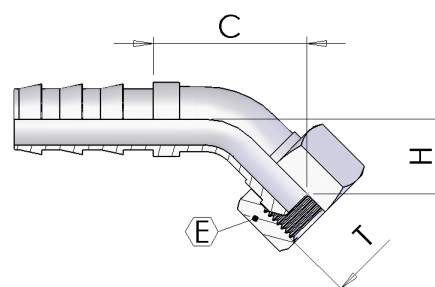
## BSP 90° Swept elbow 60° Cone



Part number	Hose I.D.		Dimensions			
	in	mm	Thread	Hex	Drop	Cut-Off
			T	E	H	C
0151B04-04	1/4	6.4	1/4	17	25	28
0151B05-04	5/16	7.9	1/4	17	25	28
0151B05-06	5/16	7.9	3/8	19	32	32
0151B06-06	3/8	9.5	3/8	19	33	33
0151B06-08	3/8	9.5	1/2	24	35	38
0151B08-06	1/2	12.7	3/8	19	35	38
0151B08-08	1/2	12.7	1/2	24	41	43
0151B08-12	1/2	12.7	3/4	30	45	40
0151B10-08	5/8	15.9	1/2	24	41	44
0151B10-12	5/8	15.9	3/4	30	45	40
0151B12-12	3/4	19	3/4	30	49	51
0151B12-16	3/4	19	1	38	49	45
0151B16-12	1	25.4	3/4	32	57	45
0151B16-16	1	25.4	1	38	58	60
0151B16-20	1	25.4	1.1/4	46	64	56
0151B20-20	1.1/4	31.8	1.1/4	46	66	70
0151B24-24	1.1/2	38.1	1.1/2	55	75	70
0151B32-32	2	50.8	2	65	70	66
0151B40-40	2.1/2	63.5	2.1/2	85	85	82

# 0251B

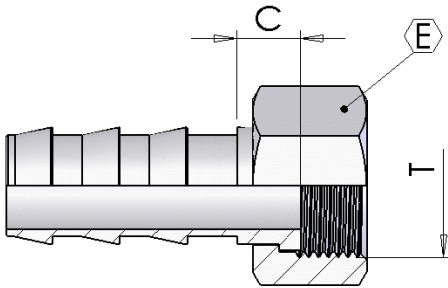
## BSP 45° Swept Elbow 60° Cone



Part number	Hose I.D.		Dimensions			
	in	mm	Thread	Hex	Drop	Cut-Off
			T	E	H	C
0251B04-04	1/4	6.4	1/4	17	17	44
0251B05-06	5/16	7.9	3/8	19	19	50
0251B06-06	3/8	9.5	3/8	19	20	52
0251B06-08	3/8	9.5	1/2	24	23	54
0251B08-06	1/2	12.7	3/8	19	23	54
0251B08-08	1/2	12.7	1/2	24	25	60
0251B10-12	5/8	15.9	3/4	30	28	65
0251B12-12	3/4	19	3/4	30	28	65
0251B12-16	3/4	19	1	38	30	55
0251B16-16	1	25.4	1	38	30	74
0251B20-20	1.1/4	31.8	1.1/4	46	35	72
0251B24-24	1.1/2	38.1	1.1/2	55	35	72
0251B32-32	2	50.8	2	65	50	90

# 0060B

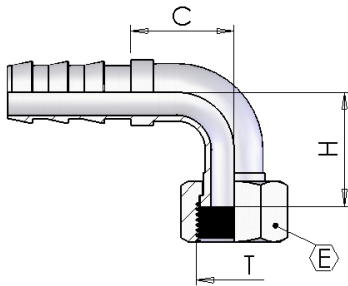
## BSP Female Flat Seal



Part number	Hose I.D.		Dimensions		
	in	mm	Thread	Hex	Cut-Off
			T	E	C
0060B04-04	1/4	6.4	1/4	17	7
0060B05-04	5/16	7.9	1/4	17	7
0060B05-06	5/16	7.9	3/8	19	8
0060B06-06	3/8	9.5	3/8	19	8
0060B06-08	3/8	9.5	1/2	24	8
0060B08-08	1/2	12.7	1/2	24	8
0060B10-12	5/8	15.9	3/4	30	9
0060B12-12	3/4	19	3/4	30	9
0060B12-16	3/4	19	1	38	10
0060B16-16	1	25.4	1	38	11
0060B20-20	1.1/4	31.8	1.1/4	46	11
0060B24-24	1.1/2	38.1	1.1/2	55	12
0060B32-32	2	50.8	2	65	12

# 0160B

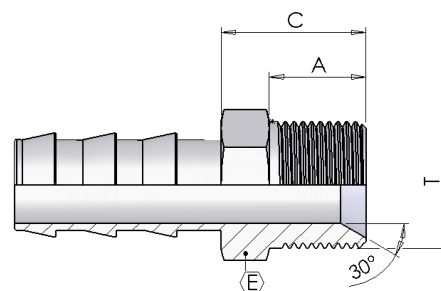
## BSP 90° Swept Elbow Flat Seal



Part number	Hose I.D.		Dimensions			
	in	mm	Thread	Hex	Drop	Cut-Off
			T	E	H	C
0160B08-08	1/2	12.7	1/2	24	35	43
0160B08-12	1/2	12.7	3/4	30	40	40
0160B12-12	3/4	19	3/4	30	40	40
0160B12-16	3/4	19	1	38	45	45

## 0400B

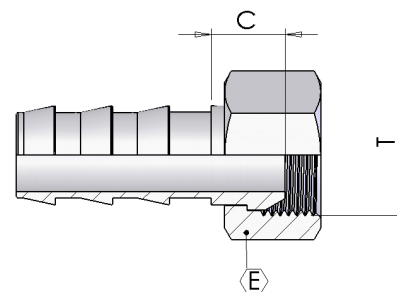
### Metric Male 60° Cone



Part number	Hose I.D.		Dimensions			
	in	mm	Thread	Hex	Cut-Off	A
			T	E	C	
0400B04-14	1/4	6.4	M14-1,5	19	17	11
0400B05-14	5/16	7.9	M14-1,5	19	17	11
0400B06-14	3/8	9.5	M14-1,5	19	17	11

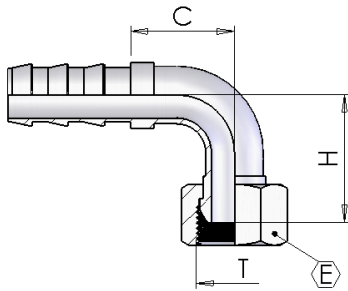
## 0100B

### Metric Female 60° Cone



Part number	Hose I.D.		Dimensions		
	in	mm	Thread	Hex	Cut-Off
			T	E	C
0100B03-10	3/16	4.8	M10-1	14	9
0100B03-12	3/16	4.8	M12-1,5	17	10
0100B04-12	1/4	6.4	M12-1,5	17	10
0100B04-14	1/4	6.4	M14-1,5	17	10
0100B05-14	5/16	7.9	M14-1,5	17	10
0100B05-16	5/16	7.9	M16-1,5	19	11
0100B06-18	3/8	9.5	M18-1,5	22	11
0100B08-18	1/2	12.7	M18-1,5	22	12
0100B08-22	1/2	12.7	M22-1,5	27	12
0100B10-22	5/8	15.9	M22-1,5	27	12
0100B10-26	5/8	15.9	M26-1,5	32	14
0100B12-26	3/4	19	M26-1,5	32	14

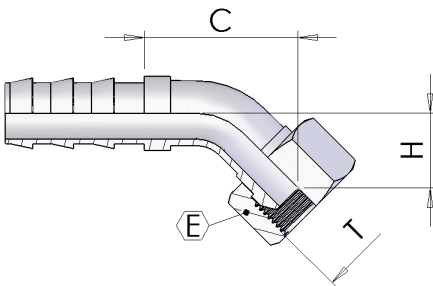
## 0200B



### 90° Metric Swept Elbow 60° Cone

Part number	Hose I.D.		Dimensions			
	in	mm	Thread T	Hex E	Drop H	Cut-Off C
0200B04-14	1/4	6.4	M14-1,5	17	25	28
0200B05-16	5/16	7.9	M16-1,5	19	32	32
0200B06-18	3/8	9.5	M18-1,5	22	33	35
0200B08-22	1/2	12.7	M22-1,5	27	41	43
0200B10-26	5/8	15.9	M26-1,5	32	43	43
0200B12-26	3/4	19	M26-1,5	32	49	51

## 0300B

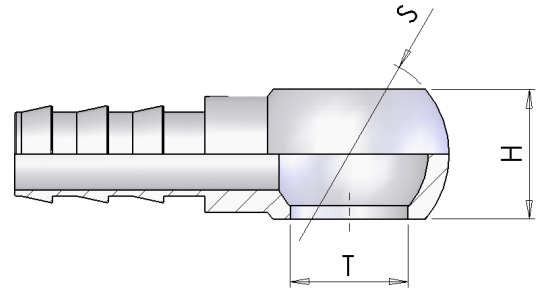


### 45° Metric Swept Elbow 60° Cone

Part number	Hose I.D.		Dimensions			
	in	mm	Thread T	Hex E	Drop H	Cut-Off C
0300B04-14	1/4	6.4	M14-1,5	17	15	44
0300B05-16	5/16	7.9	M16-1,5	19	18	50
0300B06-18	3/8	9.5	M18-1,5	22	20	52
0300B08-18	1/2	12.7	M18-1,5	22	23	54
0300B08-22	1/2	12.7	M22-1,5	27	25	62
0300B12-26	3/4	19	M26-1,5	32	28	65

## 1350B

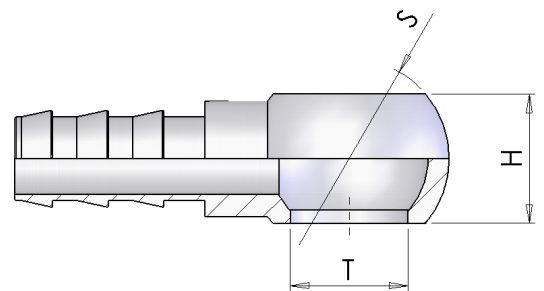
### Metric Banjo



Part number	Hose I.D.		Dimensions		
	in	mm	Hole T	H	S
1350B04-10	1/4	6.4	M10-1	11	17
1350B04-12	1/4	6.4	M12-1,5	12	20
1350B04-14	1/4	6.4	M14-1,5	14	24
1350B05-12	5/16	7.9	M12-1,5	12	20
1350B05-14	5/16	7.9	M14-1,5	14	24
1350B05-16	5/16	7.9	M16-1,5	19	28
1350B06-16	3/8	9.5	M16-1,5	19	28
1350B06-18	3/8	9.5	M18-1,5	20	32
1350B08-18	1/2	12.7	M18-1,5	20	32
1350B08-22	1/2	12.7	M22-1,5	23	36
1350B10-18	5/8	15.9	M18-1,5	20	32

## 1400B

### BSP Banjo



Part number	Hose I.D.		Dimensions		
	in	mm	Hole T	H	S
1400B04-04	1/4	6.4	1/4	14	24
1400B05-04	5/16	7.9	1/4	14	24
1400B05-06	5/16	7.9	3/8	17	28
1400B06-04	3/8	9.5	1/4	14	24
1400B06-06	3/8	9.5	3/8	17	28
1400B08-06	1/2	12.7	3/8	17	28
1400B08-08	1/2	12.7	1/2	22	35
1400B10-06	5/8	15.9	3/8	17	28
1400B10-08	5/8	15.9	1/2	22	35
1400B10-12	5/8	15.9	3/4	29	45
1400B12-12	3/4	19	3/4	29	45
1400B16-12	1	25.4	3/4	29	45
1400B16-16	1	25.4	1	35	55

## Analytical Index

0001.....	11	0185.....	58
0002.....	12	0185.....	63
0003.....	13	0200.....	56
0007.....	13	0200B.....	150
0008.....	14	0235.....	58
0009.....	15	0240.....	35
0013.....	103	0241.....	34
0019.....	125	0248.....	35
001C.....	9	0250.....	33
0022.....	10	0250H.....	106
0030.....	76	0250M.....	127
0035.....	57	0251.....	32
003T.....	12	0251B.....	147
0040.....	25	0258.....	34
0048.....	25	0284.....	68
0042.....	24	0284H.....	110
004H.....	16	0284M.....	131
004N.....	103	0285.....	64
0050.....	23	0285.....	64
0050H.....	105	0300.....	57
0050M.....	126	0300B.....	150
0050W.....	120	0345.....	17
0051.....	22	0345B.....	143
0051B.....	145	0350.....	19
0058.....	24	0350B.....	144
0060.....	18	0350H.....	104
0060B.....	148	0350M.....	125
0084.....	66	0350W.....	120
0084H.....	109	035G.....	21
0084M.....	130	0360.....	20
0084W.....	122	0370.....	38
0084Y.....	122	0370H.....	104
0085.....	60	0370M.....	129
0085.....	61	0370W.....	121
0054.....	119	0370Y.....	121
00Y4.....	119	037G.....	39
00Y6.....	120	0385.....	51
0100.....	56	0390.....	52
0100B.....	149	0395.....	52
0130.....	76	0398.....	78
0135.....	58	0400.....	55
0140.....	29	0400B.....	149
0141.....	28	0450.....	65
0148.....	29	0450H.....	108
0150.....	27	0450M.....	130
0150H.....	105	0500.....	59
0150M.....	126	0550.....	71
0158.....	28	0650.....	72
0151B.....	146	0650S.....	73
0152.....	27	0750.....	74
0160B.....	148	0750S.....	75
0184.....	67	0850.....	40
0184H.....	109	0850H.....	106
0184M.....	131	0850M.....	127
		0900.....	42
		0900H.....	107
		0900M.....	128
		0901.....	41

0901D.....	43	2320.....	31
0902.....	43	2321.....	31
0920.....	85	2950.....	47
0930.....	85	2951.....	48
0940.....	87	2970.....	46
0950.....	45	2971.....	47
0950H.....	107	A.....	141
0950M.....	128	BA.....	142
0951.....	44	BMC1.....	16
0952.....	46	BMC2.....	17
0980S.....	86	D050.....	99
0990S.....	87	F032M - F034M.....	137
1000H.....	108	F132M - F134M.....	137
1000M.....	129	F432M - F434M.....	136
1001.....	49	FK50.....	77
1002.....	51	FN50.....	77
1030S.....	86	FN51.....	78
1040S.....	88	FS3L.....	93
1050.....	80	FS6L.....	97
1050H.....	113	GS00.....	100
1050M.....	132	IF00.....	53
1060.....	90	IF45.....	54
1060.....	92	IF90.....	54
1100H.....	115	K05B.....	79
1100M.....	134	N051.....	39
110S.....	98	P050.....	139
110SH.....	116	P150.....	139
110SM.....	135	P350.....	140
1110.....	95	PTFE.....	14
1150.....	88	PTFE-C.....	15
1150H.....	114	S003.....	93
1150M.....	133	S006.....	97
1160.....	91	S050.....	91
1200H.....	115	S050H.....	110
1200M.....	134	S05T.....	82
120S.....	99	S05TH.....	111
120SH.....	117	S150.....	83
120SM.....	136	S150H.....	111
1210.....	96	S250.....	84
1250.....	89	S250H.....	112
1250H.....	113	S350.....	80
1250M.....	132	S350H.....	112
1260.....	89		
1300H.....	114		
1300M.....	133		
130S.....	98		
130SH.....	116		
130SM.....	135		
1310.....	94		
1350.....	69		
1350B.....	151		
1400.....	36		
1400B.....	151		
1600.....	37		
1600-00.....	37		
1650.....	70		
2300.....	30		
2301.....	30		

## Fittings Type Index

### Swaged Ferrule

Braided .....	9-10-11-12
Spiral .....	15-16-17
Thermoplastic .....	13-14
Textile .....	13
PTFE.....	14-15

### BSP/BSPT

Flat Seat .....	17-18
Male 60° .....	19-21-35
Female	
• With O'Ring .....	23-24
• Whitout O'Ring .....	21-22-23
Swept Elbow	
• With O'Ring .....	27-28-33-34
• Whitout O'Ring .....	25-26-27-31-32-34
Compact Elbow .....	29-30

<b>NPT</b> .....	38-39
------------------	-------

### JIC

Male.....	40
Female .....	41-42-43
Swept Elbow.....	44-45-46-49-50-51
Compact Elbow .....	46-47-48

### Metric

Cone 60° .....	55-56-57
Cone 24	
• Seat Heavy.....	65-66-67-68
• Seat Light.....	62-63-64
• Multiseal .....	55-58
Standpipe.....	72-73-74
French type .....	76

### ORFS

Male.....	79
Female .....	81
Swept Elbow.....	83-84

### JIS

Nissan .....	85
Toyota .....	85
Komatsu.....	87
Komatsu flange .....	80

### SAE flange

SAE 3000.....	89-90-92-93
SAE 6000.....	94-95-96-97
SAE 9000.....	98-99

### Banjo

BSP.....	36-37
Metric.....	69-70

### Miscellaneous

Sae Boss.....	51-52
Inverted Flare.....	53-54
Kaercher.....	77-78
Stecko .....	78
Kobleco.....	79
Hose Junction .....	99
Weldable stem.....	100





# INTERPUMP

FLUID SOLUTIONS 

Powered by I.M.M. Hydraulics

**I.M.M.**<sup>®</sup>  
HYDRAULICS



CAT-IFS-C- EN rev. 1.2